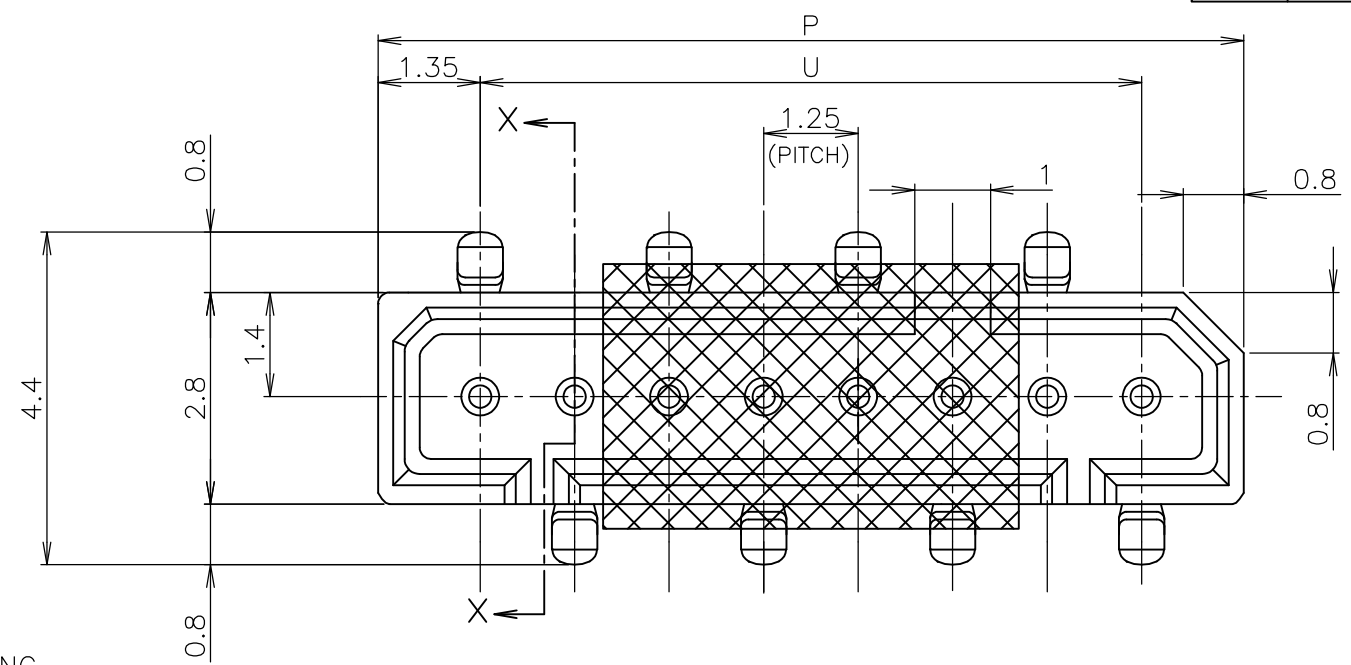
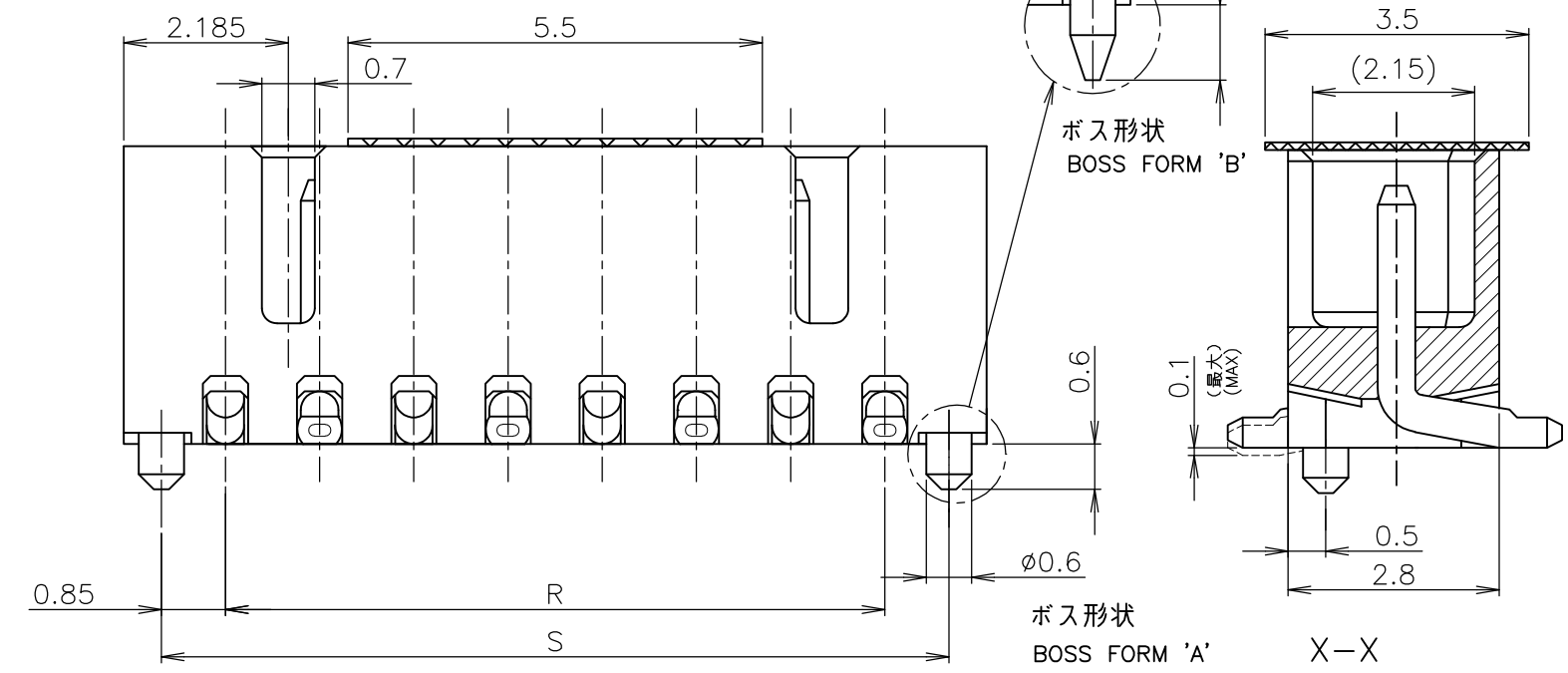
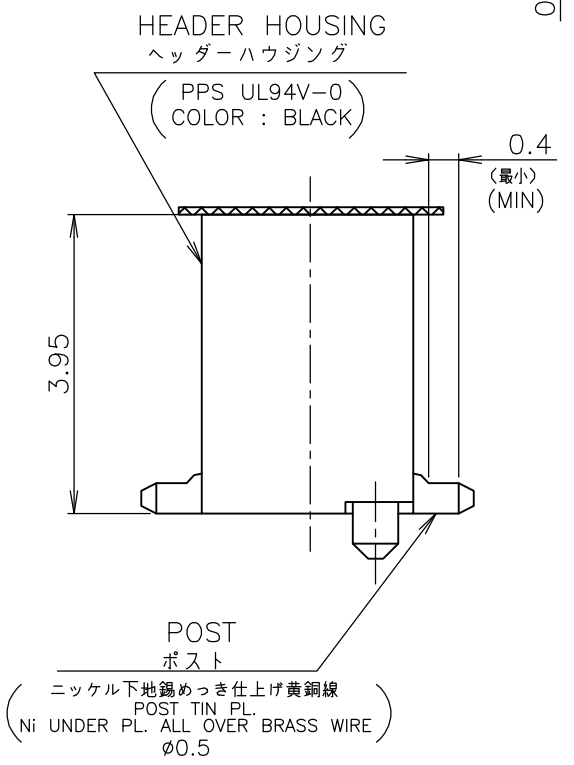


THIS DRAWING IS UNPUBLISHED. RELEASED FOR PUBLICATION
 © COPYRIGHT By - ALL RIGHTS RESERVED.

LOC	DIST	REVISIONS					
J		P	LTR	DESCRIPTION	DATE	DWN	APVD
		D		REVISED ECR-12-017462	11APR13	I.T	S.Y

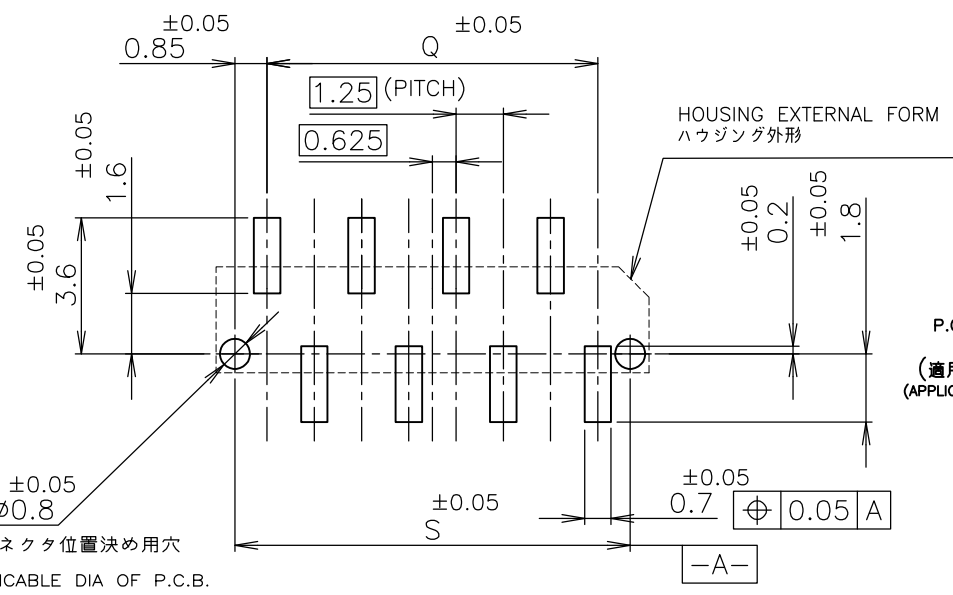


AS SHOWN : 3-1827158-8



吸着テープ付
WITH POLYIMIDE TAPE

OBSELETE	'B'	7.95	6.25	6.25	8.95	6	3-1827158-6
	'A'	10.45	8.75	8.75	11.45	8	3-1827158-8
	ボス形状 BOSS TYPE	S	R	U	P	極数 Pos.	型番 P/N



P.C.B MOUNTING LAYOUT
基板加工寸法
(適用基板厚 : 0.6mm 最小)
(APPLICABLE P.C.B THK : 0.6mm MIN)

THIS DRAWING IS A CONTROLLED DOCUMENT.	
DIMENSIONS: 単位: 概 mm	TOLERANCES UNLESS OTHERWISE SPECIFIED: 一般公差
0 PLC ± 0.3	1 PLC ± 0.3
2 PLC ± 0.3	3 PLC ± 0.3
4 PLC ± 0.3	ANGLES ± 3°
MATERIAL 材料	FINISH 仕上
AS SHOWN 図中参照	AS SHOWN 図中参照

DWN Y.SHINO	17DEC2004
CHK T.KUSUHARA	17DEC2004
APVD H.MURAMATSU	17DEC2004
PRODUCT SPEC 製品規格	108-5246
APPLICATION SPEC 取付適用規格	
WEIGHT	

STE TE Connectivity

1.25 FP CONNECTOR B-TO-B
SINGLE ROW POST HDR ASS'Y SMT TYPE
WITH BOSS, WITH POLYIMID TAPE

SIZE	CAGE CODE	DRAWING NO	RESTRICTED TO
A3	00779	C-1827158	

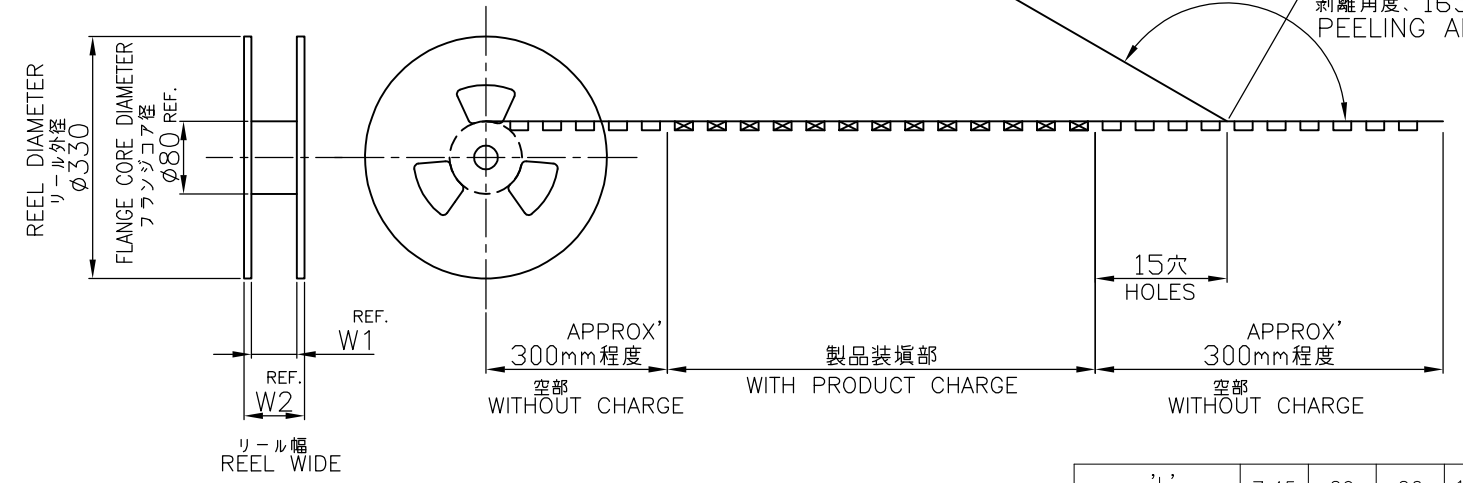
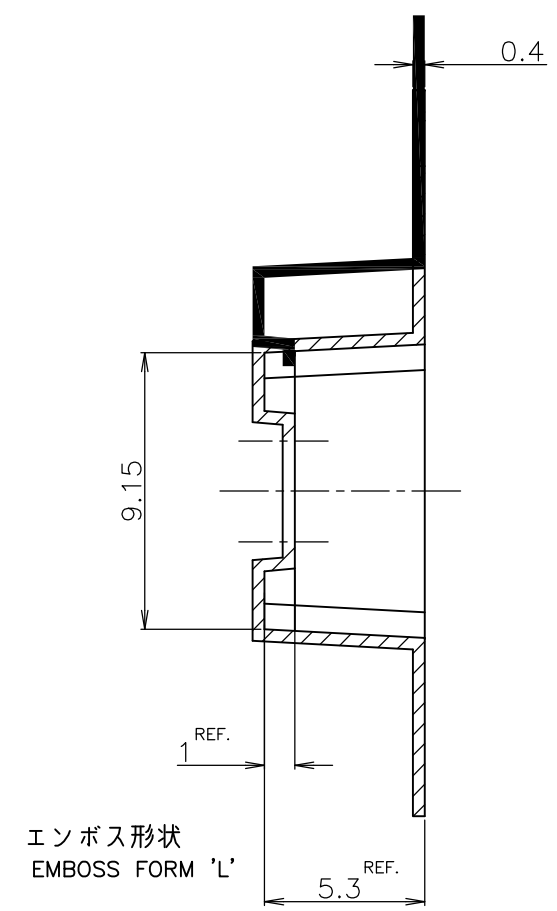
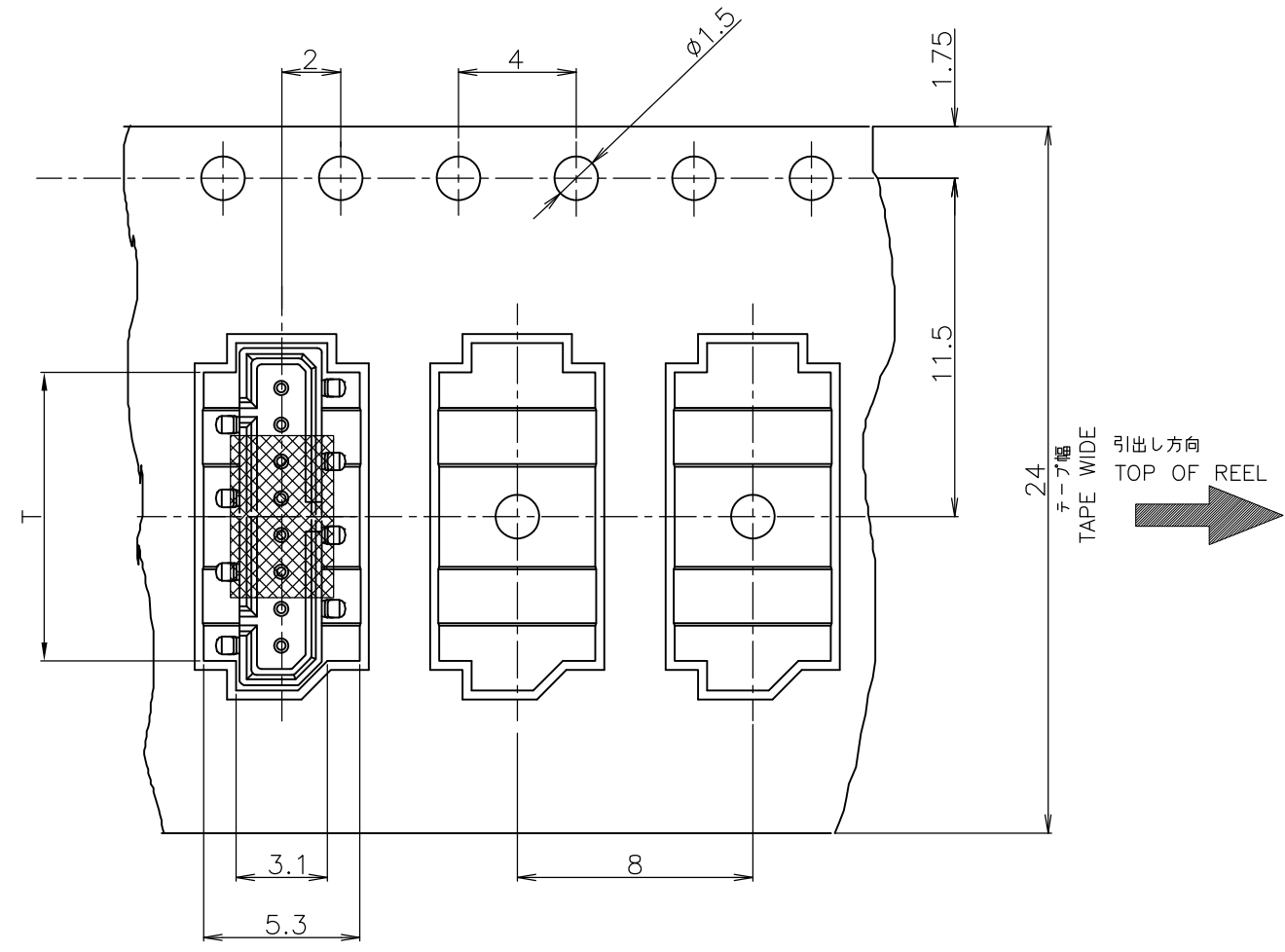
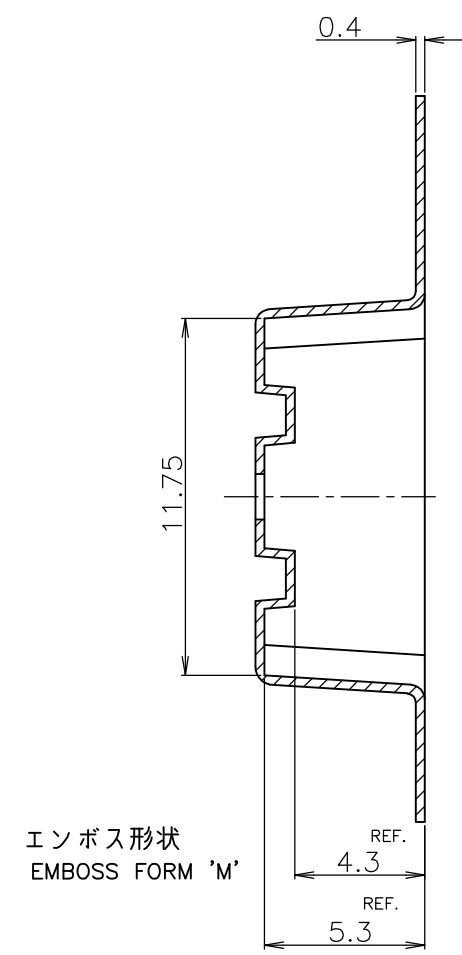
CUSTOMER DRAWING

SCALE 10:1 SHEET 1 OF 2 REV D

THIS DRAWING IS UNPUBLISHED. RELEASED FOR PUBLICATION
 © COPYRIGHT By - ALL RIGHTS RESERVED.

LOC	DIST	REVISIONS					
J		P	LTR	DESCRIPTION	DATE	DWN	APVD
		-		SEE SHEET 1	-	-	-

吸着テープ付
WITH POLYIMIDE TAPE



AS SHOWN : 3-1827158-8
3-1827158-6

'L'	7.45	29	26	1400	6
'M'	9.8	29	26	1400	8
エンボス形状 EMBOSS TYPE	T	W2	W1	数量 (枚) QTY/REEL	位置 Pos.

THIS DRAWING IS A CONTROLLED DOCUMENT.

DWN Y.SHINO 17DEC2004	TE Connectivity 1.25 FP CONNECTOR B-TO-B SINGLE ROW POST HDR ASS'Y SMT TYPE WITH BOSS, WITH POLYIMID TAPE				
CHK T.KUSUHARA 17DEC2004					
APVD H.MURAMATSU 17DEC2004					
NAME 名称					
DIMENSIONS: 単位: 耗 mm	PRODUCT SPEC 製品規格 108-5246	SIZE A3	CAGE CODE 00779	DRAWING NO 番号 C-1827158	RESTRICTED TO
TOLERANCES UNLESS OTHERWISE SPECIFIED: 一般公差	APPLICATION SPEC 取付適用規格	SCALE 尺度 10:1		SHEET 2 OF 2	REV D
MATERIAL 材料 AS SHOWN 図中参照	FINISH 仕上 AS SHOWN 図中参照	CUSTOMER DRAWING			