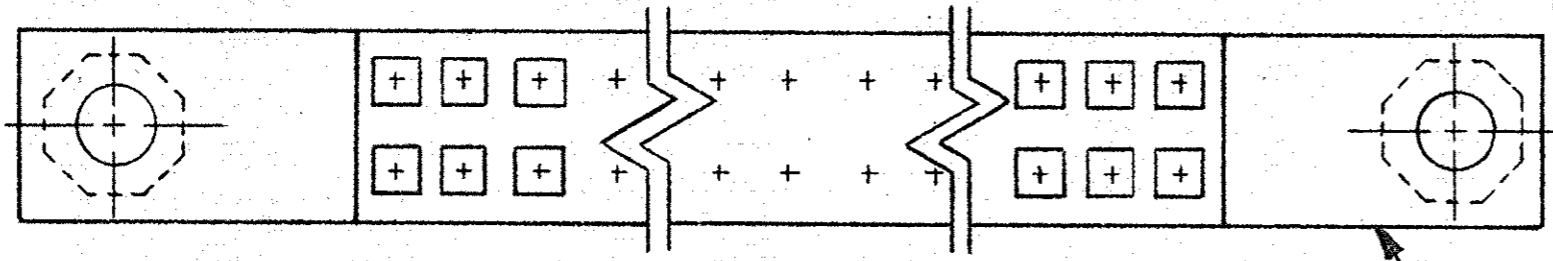
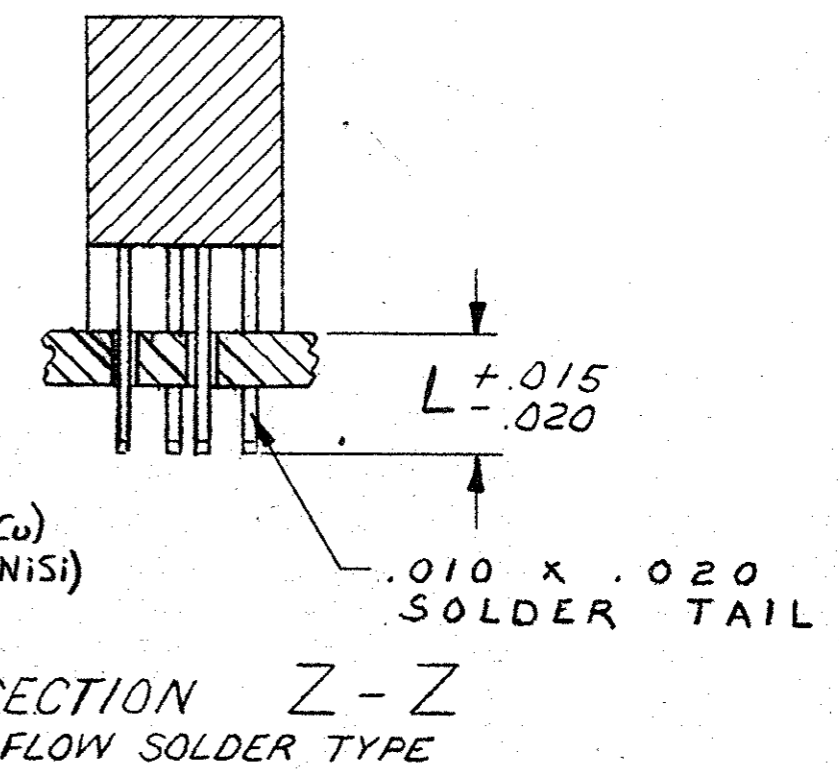
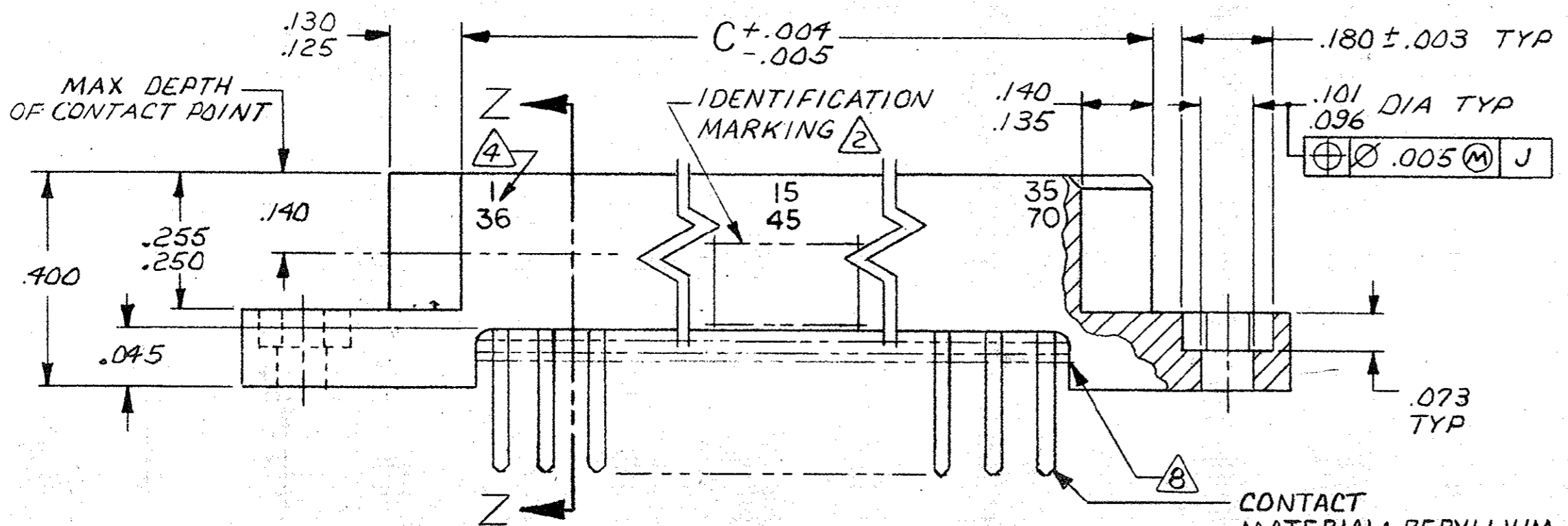
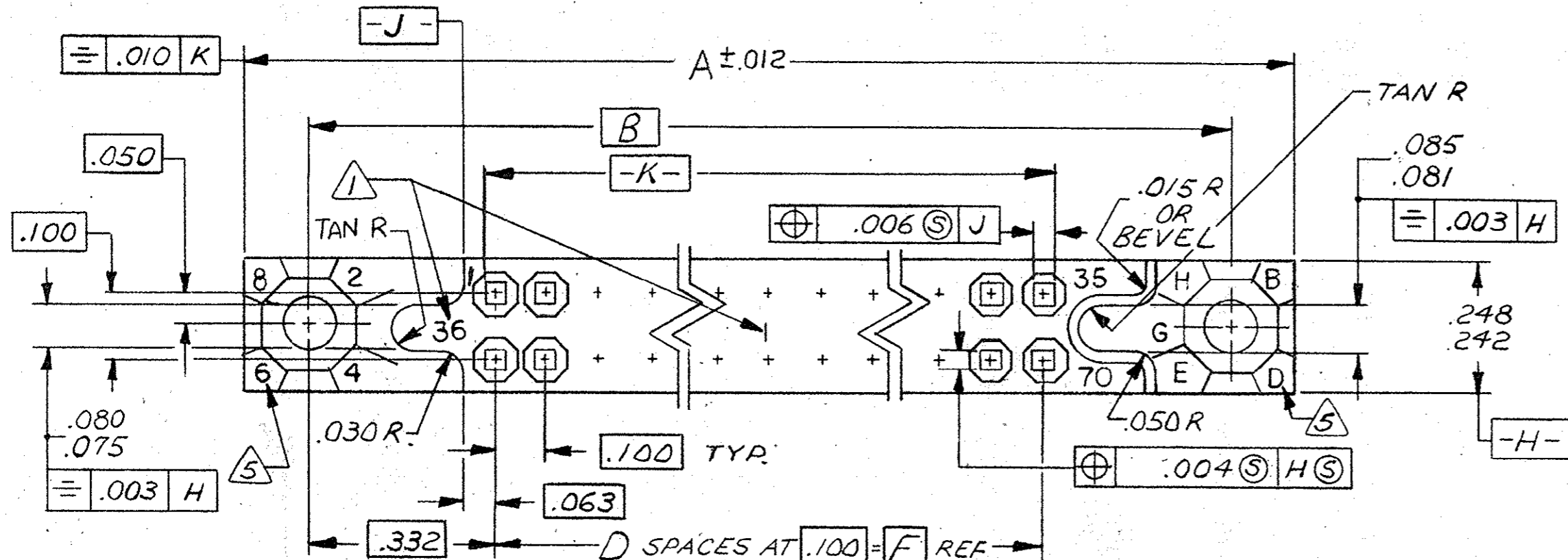


THIS DRAWING IS UNPUBLISHED. RELEASED FOR PUBLICATION  
 © COPYRIGHT 19 BY AMP INCORPORATED, HARRISBURG, PA. ALL INTERNATIONAL RIGHTS RESERVED. AMP PRODUCTS MAY BE COVERED BY U.S. AND FOREIGN PATENTS AND/OR PATENTS PENDING.

REVISIONS					
P	F	ZONE/LTR	DESCRIPTION	DATE	APPROVED
		D	RELEASED	m.s. 8-86	
		A	REV PER DF-5227	TA	
		B	REV PER 0600-1376-93	TA	1/94 665
		C	REV 0600-5641-96	TT	10-97
		D	REV PER ECO-05-013297		11-05 PY
		E	REV PER ECO-07-004569		3-07 PY



HOUSING MATERIAL: DIALLYL PHTHALATE, COLOR, BLUE

CONTACT MATERIAL: BERYLLIUM COPPER (BeCu) OR COPPER NICKEL SILICONE (CuNiSi)

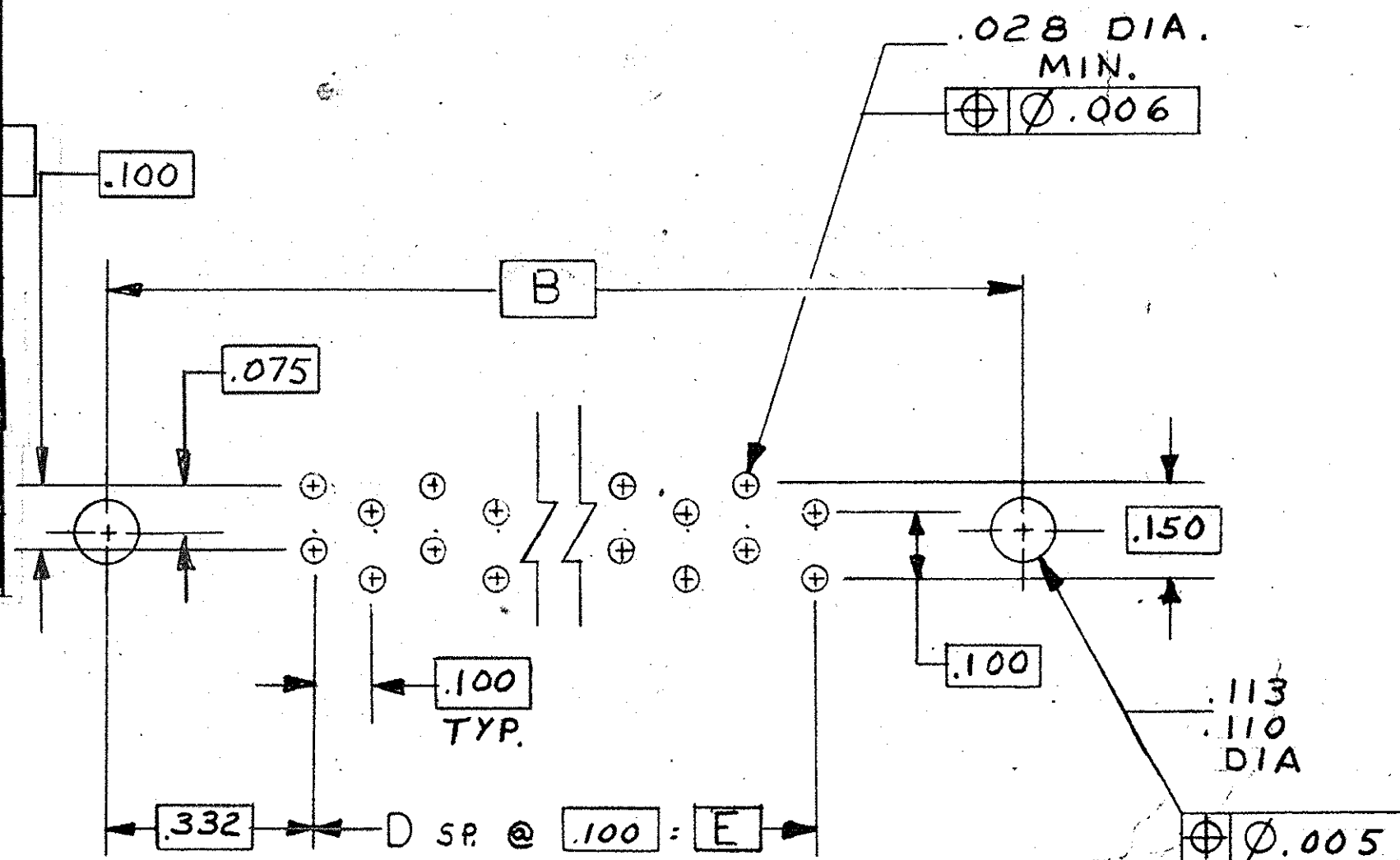
- ① NUMBERS (SEE TABLE) AND LINES INDICATING EVERY FIVE CAVITIES STAMPED ON MATING FACE (WHITE INK).
- ② AMP, DATE CODE, AMP PART NUMBER AND 00779 INK STAMPED WHITE IN THIS AREA.
- ③ MEETS ALL APPLICABLE REQUIREMENTS OF MIL-C-55302.
- ④ NUMBERS INDICATING EVERY FIVE CAVITIES STAMPED ON SIDE.
- ⑤ KEY POSITION IDENTIFICATIONS MOLDED ON SURFACES SHOWN.
- ⑥ SOLDER TINES ARE SOLDERDIPPED.

UNLESS OTHERWISE SPECIFIED DIMENSIONS ARE IN INCHES. TOLERANCES ON: DECIMALS ± .005 ANGLES ±		CONTRACT NO		PART NO	
MATERIAL SEE CALLOUTS		DR M. Smith 8-15-86 CHK James P. Scholz 2-2-87		AMP   AMP INCORPORATED Harrisburg, Pa. 17105	
FINISH ⑦		APPD James P. Scholz 2-4-87 APPD J. Scholz 2/9/87		NAME RECEPTACLE ASSEMBLY, 1000 SERIES BOX, SEALED, WITH .010 x .020 POSTED CONTACTS, EXTERNAL KEYING	
OTHER APPD		DSGN APPD		SIZE C	FSCM NO 00779
SCALE NTS		DRAWING NO 534195		REV E	SHEET 1 OF 2

THIS DRAWING IS UNPUBLISHED. RELEASED FOR PUBLICATION, 19  
 © COPYRIGHT 19 BY AMP INCORPORATED, HARRISBURG, PA. ALL INTERNATIONAL RIGHTS RESERVED. AMP PRODUCTS MAY BE COVERED BY U.S. AND FOREIGN PATENTS AND/OR PATENTS PENDING.

REVISIONS					
P	F	ZONE/LTR	DESCRIPTION	DATE	APPROVED
			SEE SHEET 1		

ASSEMBLY NUMBER	NO. OF CONTACTS	DIMENSIONS					CONTACT IDENT. NO.	L	REMARKS
		A	B	C	D	E			
534195-1	30	2.355	2.065	1.665	14	1.400	1-15 16-30	.156	⊕
-2	40	2.855	2.565	2.165	19	1.900	1-20 21-40		
-3	50	3.355	3.065	2.665	24	2.400	1-25 26-50		
-4	60	3.855	3.565	3.165	29	2.900	1-30 31-60		
-5	70	4.355	4.065	3.665	34	3.400	1-35 36-70		
-6	80	4.855	4.565	4.165	39	3.900	1-40 41-80		
-7	90	5.355	5.065	4.665	44	4.400	1-45 46-90		
-8	100	5.855	5.565	5.165	49	4.900	1-50 51-100		<b>OBSOLETE</b>
-9	110	6.355	6.065	5.665	54	5.400	1-55 56-110		<b>OBSOLETE</b>
1-0	120	6.855	6.565	6.165	59	5.900	1-60 61-120		<b>OBSOLETE</b>
1-1	130	7.355	7.065	6.665	64	6.400	1-65 66-130		<b>OBSOLETE</b>
1-2	134	7.555	7.265	6.865	66	6.600	1-67 68-134		<b>OBSOLETE</b>
1-534195-3	140	7.855	7.565	7.165	69	6.900	1-70 71-140		<b>OBSOLETE</b>



⊕ CONTACT FINISH: .000050 GOLD IN CONTACT AREA  
 .000100 TIN-LEAD ON SOLDER TAILS, ALL OVER  
 .000030-.000150 NICKEL.  
 ⊕ EPOXY SEALANT ADDED TO BOTTOM OF HOUSING.

UNLESS OTHERWISE SPECIFIED DIMENSIONS ARE IN INCHES. TOLERANCES ON: DECIMALS ± .005 ANGLES ± .005		CONTRACT NO 8-15-86		AMP   AMP INCORPORATED Harrisburg, Pa. 17105	
MATERIAL CONTACTS: Be Cu ⊕ HSG: DIALLYL PHTHALATE		DR <i>M. Smith</i> CHK <i>James P. Scholz</i> APPD <i>James P. Scholz</i> APPD <i>J.P.M.</i>		NAME RECEPTACLE ASSEMBLY, 1000 SERIES BOX, SEALED, WITH .010 x .020 POSTED CONTACTS AND EXTERNAL KEYING	
FINISH ⊕		DSGN APPD		SIZE C	FSCM NO 00779
		OTHER APPD		DRAWING NO 534195	REV E
				SCALE NTS	SHEET 2 OF 2