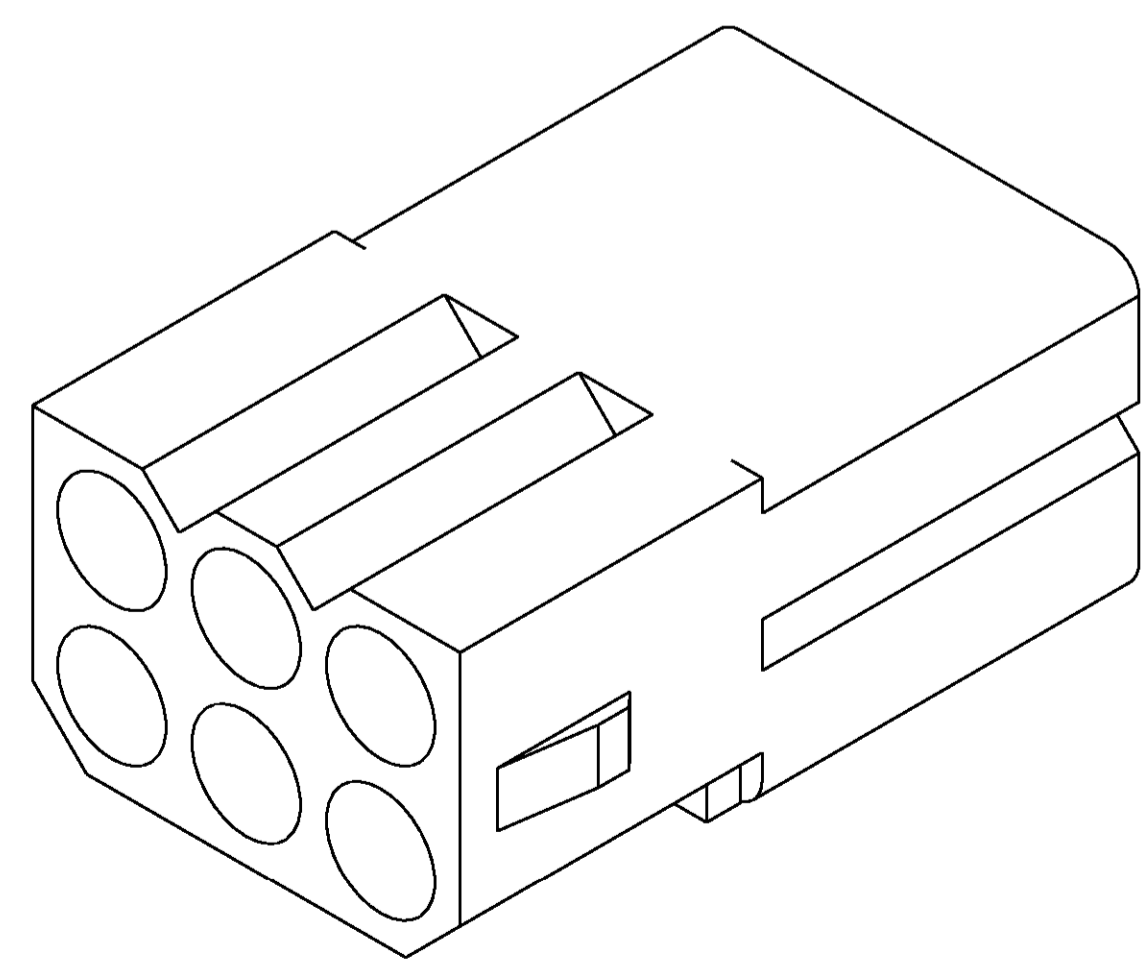
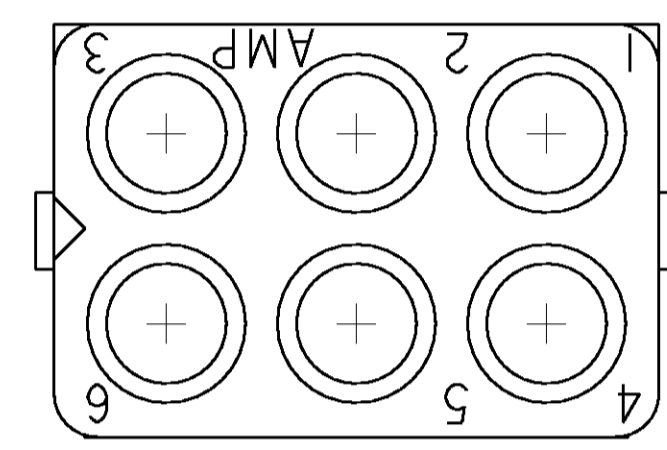
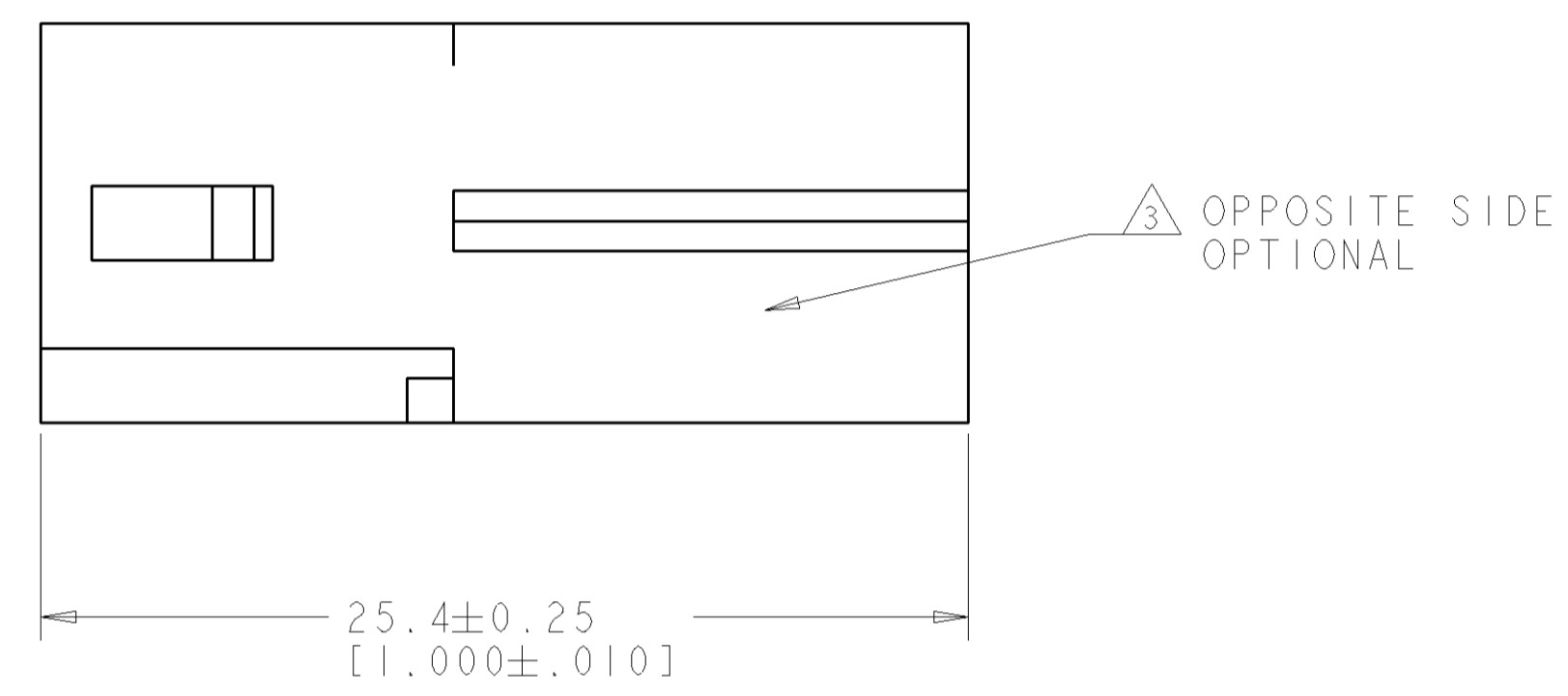
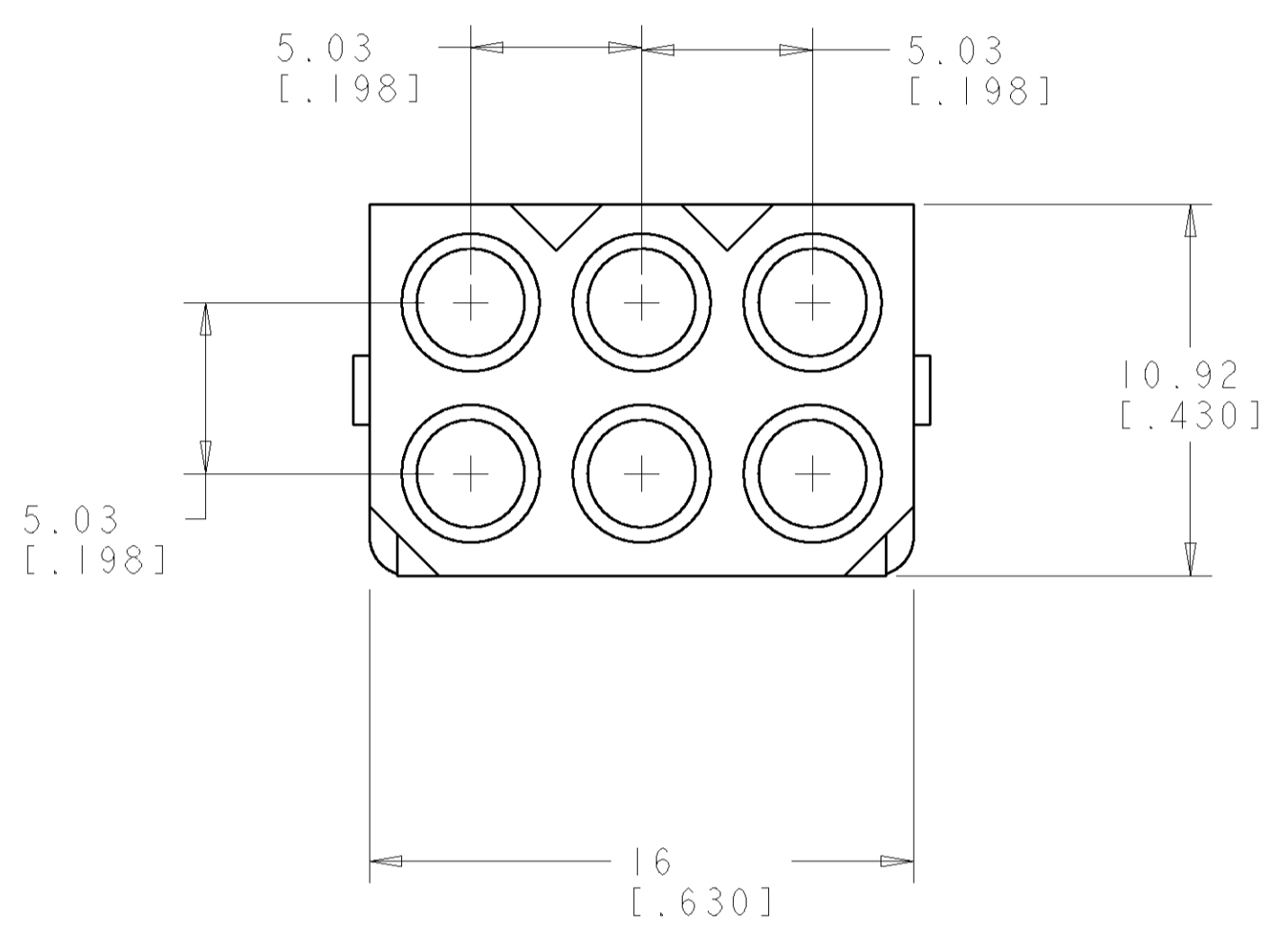


LOC		DIST		REVISIONS			
CM	00	P	LTR	DESCRIPTION	DATE	DWN	APVD
		E		REVISED PER 0638-0359-01	18JAN2002	KW	DC

△ MATERIAL: NYLON UL94V-2 (NATURAL).
 △ MARKING FOR UL LOGO AND CSA LOGO LOCATED APPROXIMATELY AS SHOWN.



3 DIMENSIONAL VIEW

770086-1
 PART NUMBER

METRIC

<small>THIS DRAWING IS UNPUBLISHED. RELEASED FOR PUBLICATION BY TYCO ELECTRONICS CORPORATION. ALL RIGHTS RESERVED.</small>		DWN R. WHITAKER 18JAN2002 ENR D. COLEY 18JAN2002 APVD D. COLEY 18JAN2002	Tyco Electronics Harrisburg, PA 17105-3608
DIMENSIONS: mm [INCHES]		TOLERANCES UNLESS OTHERWISE SPECIFIED: 0 PLC ± 1 PLC ± 2 PLC ±0.13 [.005] 3 PLC ± 4 PLC ± ANGLES ±	NAME RECEPTACLE, 6 CIRCUIT, COMMERCIAL PIN AND SOCKET
MATERIAL: △		FINISH: - WEIGHT: - CUSTOMER DRAWING	SIZE: A CAGE CODE: 00779 DRAWING NO: 770086 RESTRICTED TO: - SCALE: 5:1 SHEET: 1 OF 1 REV: E