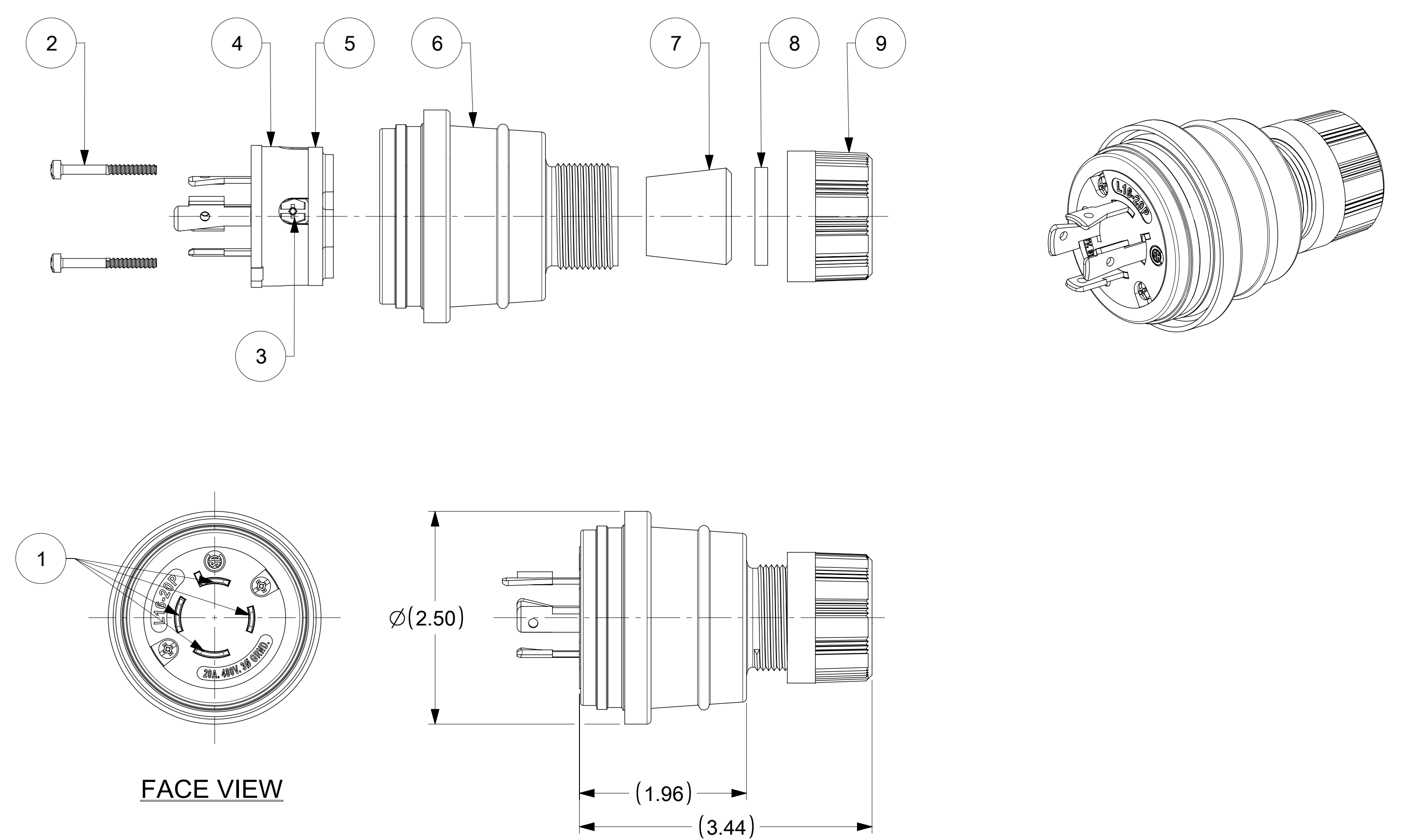


ORDER NO.	WOODHEAD NO.	COLOR
130147-0234	26W76-P	YELLOW



ITEM NO.	DESCRIPTIONS	MATERIAL	QTY.
1	BLADE	BRASS, NICKEL PLATED	4
2	RETAINING SCREWS	STAINLESS STEEL	2
3	CLAMP AND TERMINAL SCREW ASSY	BRASS, ZINC PLATED	4
4	INSERT	NYLON	1
5	TERMINAL COVER	POLYCARBONATE	1
6	HOUSING	SILICON WITH NYLON THRD	1
7	GROMMET	RUBBER	1
8	FRICTION RING	NYLON	1
9	COMPRESSION NUT	NYLON	1

<b>SYMBOLS</b> DIMENSION UNITS: INCH NTS SCALE: NTS GENERAL TOLERANCES (UNLESS SPECIFIED): ANGULAR TOL: ± ° 4 PLACES ± 3 PLACES ± 2 PLACES ± 1 PLACE ± 0 PLACES ± DRAFT WHERE APPLICABLE MUST REMAIN WITHIN DIMENSIONS		THIS DRAWING CONTAINS INFORMATION THAT IS PROPRIETARY TO MOLEX ELECTRONIC TECHNOLOGIES, LLC AND SHOULD NOT BE USED WITHOUT WRITTEN PERMISSION. CURRENT REV DESC: RELEASED EC NO: 613280 DRWN: DSOPPIN 2018/12/13 CHK'D: DNGUYEN62 2019/03/22 APPR: HKNEELAND 2019/03/22 INITIAL REVISION: DRWN: DSOPPIN 2018/12/13 APPR: HKNEELAND 2019/03/22 THIRD ANGLE PROJECTION DRAWING SERIES: C-SIZE 130147		 WATERTITE PLUG 3P4W L16-20 PRODUCT CUSTOMER DRAWING DOCUMENT NUMBER: 1301470234 DOC TYPE: PSD DOC PART: 000 REVISION: A MATERIAL NUMBER: SEE TABLE CUSTOMER: GENERAL MARKET SHEET NUMBER: 1 OF 1		
--	--	--	--	--	--	--