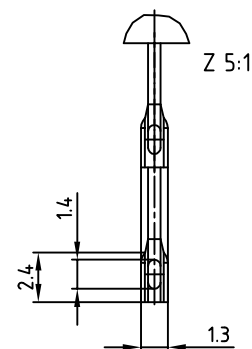
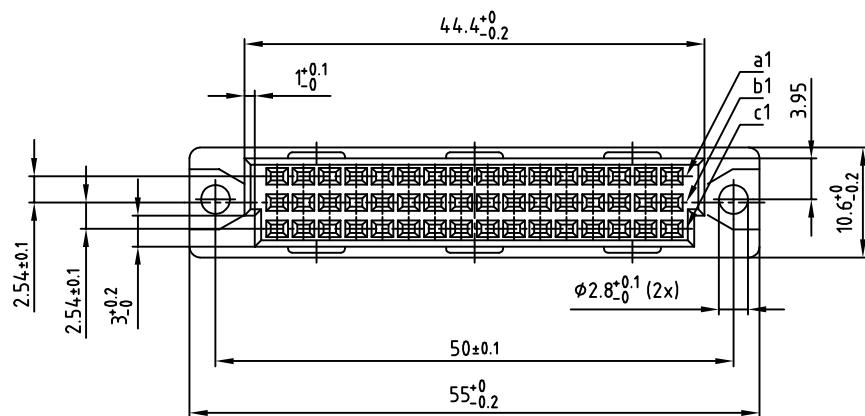
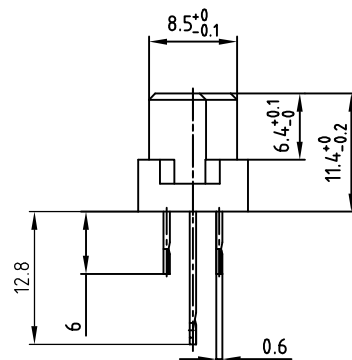
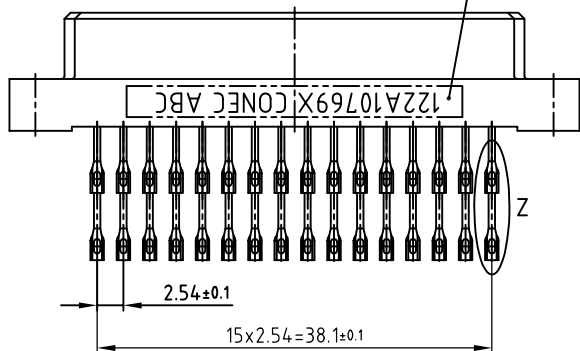


used for: DIN EN 60603 TYPE "C 1/2"

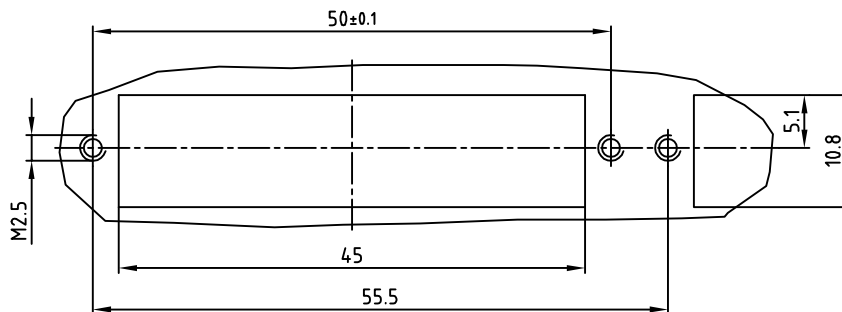
SEE NOTE 3



NOTES:

1. INSULATORS: PBT GF UL 94 V-0, GREY
2. CONTACTS: COPPER ALLOY
PLATING: GOLD FLASH over NICKEL
50 MATING CYCLES
3. CONNECTOR IS PART MARKED: 122A10769X CONEC ABC

PANEL CUT OUT



Directive 2002/95/EC RoHS compliant

THIS DRAWING MAY NOT BE COPIED OR REPRODUCED IN ANY WAY, AND MAY NOT BE PASSED ON TO A THIRD PARTY, WITHOUT WRITTEN PERMISSION. OWNERSHIP AND COPYRIGHT OF CONEC Gmbh DO NOT ALTER CAD DRAWING BY HAND

rev.	description	date	name
a	Original		

tolerance		dim. in mm	
2012	date	name	
drawn	22.11.	Henneboel	
appd.	22.11.	Mickenbecker	
norm	DIN EN 60603		
d-old			

scale:	2:1 (5:1)	
material:	SEE NOTES	
title:	FEMALE CONNECTOR TYPE "C 1/2"	
	48pos.	
	SOLDER LUG	
dwg no:	12K1A777	DIN-A
part no:	122A10769X	3
		sh: 1/1

