

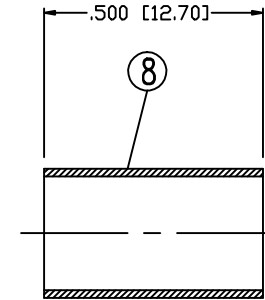
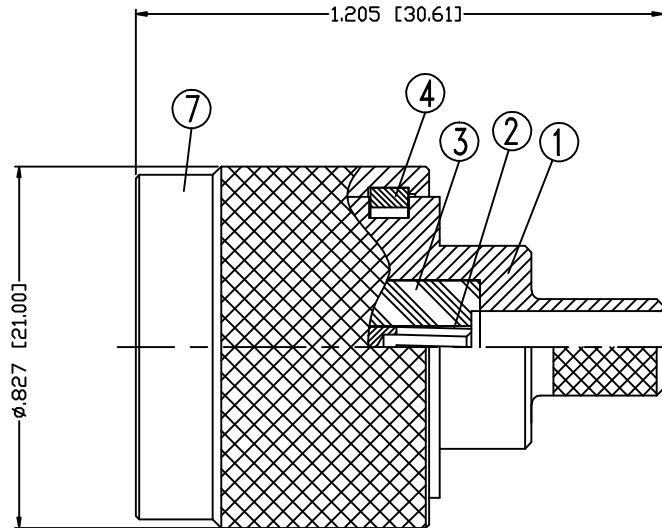
THIS DRAWING CONTAINS INFORMATION PROPRIETARY TO RF INDUSTRIES,
 ANY UNAUTHORIZED USE OF THIS DRAWING IS EXPRESSLY PROHIBITED
 WITHOUT WRITTEN PERMISSION FROM RF INDUSTRIES.
 ANY VIOLATION IS PUNISHABLE UNDER U.S. COPYRIGHT LAWS.

ALL DIMENSIONS ARE REFERENCE ONLY

PART NO.

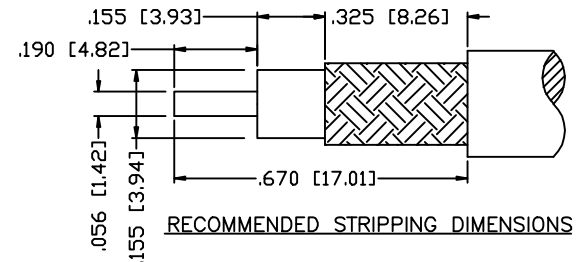
RFN-1006-8X

| REV | DESCRIPTION | DWN | DATE | APPROVED |
|-----|--|------|---------|----------|
| - | ENGINEERING RELEASE | JDMc | 7/11/06 | JDMc |
| A | CHANGED STRIP DIMS, CENTER CONDUCTOR LENGTH | JDMc | 9/26/16 | JDMc |
| A1 | MODIFICATIONS MADE TO INTERNAL CONFIGURATION | JDMc | 3/31/17 | JDMc |



SPECIFICATIONS:

IMPEDANCE: 50 Ohms
 INTERFACE: Per MIL-STD-348
 FREQUENCY RANGE: 0-11 GHz
 INSERTION LOSS: -0.1 dB Max 0-6 GHz
 WORKING VOLTAGE: 850 VRMS @ sea level
 TEMPERATURE RANGE: -65°C TO 155°C
 INSULATION RESISTANCE: 5k M Ohms min.
 RF LEAKAGE: -90 dB Min. between 2 and 3 GHz
 RF HIGH POTENTIAL: 1k VRMS @ 5~7.5 MHz



RECOMMENDED STRIPPING DIMENSIONS

| | | | | | |
|----|--------------|---|---------|----------------|---------|
| 1 | BODY | 1 | BRASS | NICKEL, 100 μ" | |
| 2 | PIN | 1 | PHOS. B | GOLD, 5 μ" | |
| 3 | INSULATOR | 1 | PTFE | N/A | |
| 4 | R/RING | 1 | PHOS. B | N/A | |
| 5 | GASKET | 1 | S.R. | RED | |
| 6 | G/RING | 1 | BRASS | NICKEL, 100 μ" | |
| 7 | COUPLING NUT | 1 | BRASS | NICKEL, 100 μ" | |
| 8 | FERRULE | 1 | BRASS | NICKEL, 100 μ" | |
| 9 | | | | | |
| 10 | | | | | DRAWN |
| 11 | | | | | JDMc |
| 12 | | | | | CHECKED |
| 13 | | | | | |
| 14 | | | | | |

| | |
|--------|---------|
| 000000 | |
| | 3/31/17 |
| | 7/11/06 |
| | |

UNLESS OTHERWISE SPECIFIED:
 1. REMOVE ALL BURRS
 2. BREAK ALL CORNERS & EDGES .005 R. MAX.
 3. CHAMFER 1ST & LAST THREADS 45°
 4. SURFACE ROUGHNESS 63 FINISH MIL-STD-10
 5. DIAMETERS ON COMMON CENTERS TO BE CONCENTRIC WITHIN .002 T.I.R.
 6. ALL DIMENSIONS ARE AFTER PLATING.

DIMENSIONS ARE IN INCHES AND [MILLIMETERS]
 UNLESS OTHERWISE NOTED TOLERANCES ARE:
 DECIMALS .XXX±.003 [.08]
 DIAMETER .XXX±.001 [.03]
 .XX±.005 [.13]

RF connectors
 DIVISION OF RF INDUSTRIES, LTD.
 7610 MIRAMAR RD
 SAN DIEGO, CA 92126
 (858) 549-6340
 (858) 549-6345 FAX

N PLUG CRIMP

CAPTIVE PIN, LMR-240

| | | | |
|--------|-------------|-------------|---------|
| SIZE | CABLE GROUP | DWG NO. | REV |
| A | X | RFN-1006-8X | A1 |
| SCALE: | NTS | CAD FILE | OUTLINE |
| SHEET | | 1 OF 1 | |