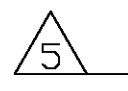


THIS DRAWING IS UNPUBLISHED. RELEASED FOR PUBLICATION  
 © COPYRIGHT - BY TYCO ELECTRONICS CORPORATION. ALL RIGHTS RESERVED.

LOC	DIST	REVISIONS					
H	-	P	LTR	DESCRIPTION	DATE	DWN	APVD
		A1		ECR-07-024622	16OCT2007	JvH	BM

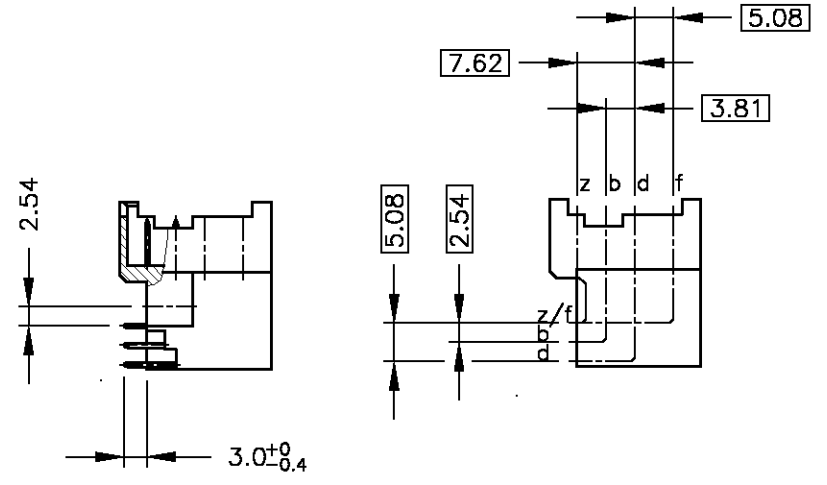
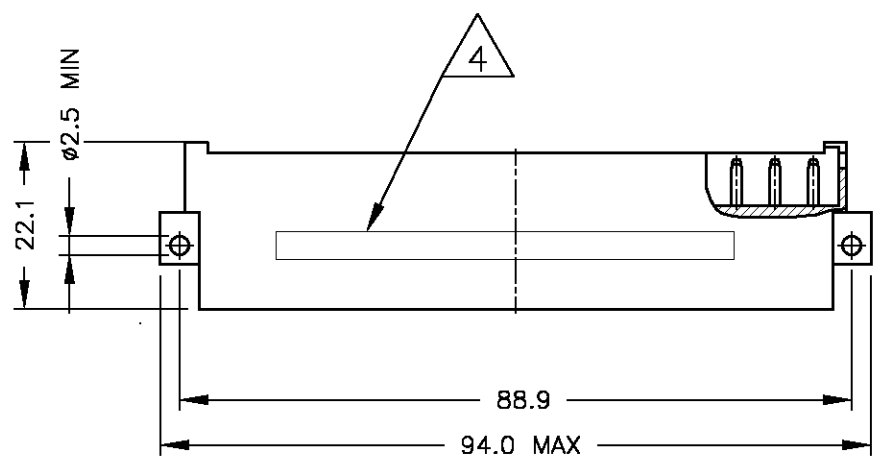
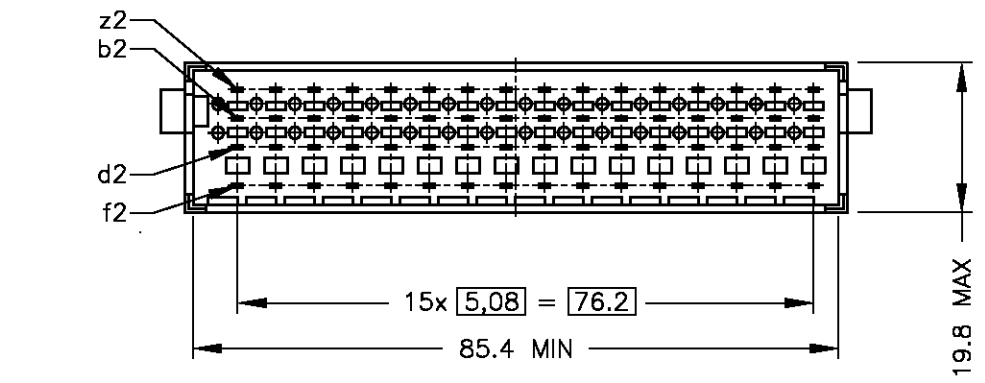
NOTES:

- HOUSING: GLASS FILLED THERMOPLASTIC UL 94 V-0 RATED; GREY
- CONTACTS: COPPER ALLOY
- PLATING:  
 CONTACT AREA: PERFORMANCE LEVEL 1 OR 2 (SEE TABLE)  
 ACCORDING TO DIN 41612 AND EN 60603-2, TYPE G  
 SOLDERING AREA: 3-7µm TIN OVER 0,8µm NICKEL  
 CONNECTOR IS PRINTED WITH PARTNUMBER AND DATECODE  
 PART IDENTICAL TO 5-9



P/N	PERF.LVL	CONTACT ASSIGNMENT																								POS								
		1								2								3																
		1	2	3	4	5	6	7	8	9	0	1	2	3	4	5	6	7	8	9	0	1	2	3	4	5	6	7	8	9	0	1	2	
4-2	1	z	+	+	+	+	+	+	+	+	+	+	+	+	+	+	+	+	+	+	+	+	+	+	+	+	+	+	+	+	+	+	+	+
5-9	2	b	+	+	+	+	+	+	+	+	+	+	+	+	+	+	+	+	+	+	+	+	+	+	+	+	+	+	+	+	+	+	+	
6-0	2	d	+	+	+	+	+	+	+	+	+	+	+	+	+	+	+	+	+	+	+	+	+	+	+	+	+	+	+	+	+	+	+	
		f	+	+	+	+	+	+	+	+	+	+	+	+	+	+	+	+	+	+	+	+	+	+	+	+	+	+	+	+	+	+	+	
4-4	1	z	v	+	+	+	+	+	+	+	+	+	+	+	+	+	+	+	+	+	+	+	+	+	+	+	+	+	+	+	+	+	+	
6-1	2	b	v	+	+	+	+	+	+	+	+	+	+	+	+	+	+	+	+	+	+	+	+	+	+	+	+	+	+	+	+	+	+	
		d	+	+	+	+	+	+	+	+	+	+	+	+	+	+	+	+	+	+	+	+	+	+	+	+	+	+	+	+	+	+	+	
		f	+	+	+	+	+	+	+	+	+	+	+	+	+	+	+	+	+	+	+	+	+	+	+	+	+	+	+	+	+	+	+	+

+ CONTACT  
 v PREMATING CONTACT 1,3mm



THIS DRAWING IS A CONTROLLED DOCUMENT.		DWN	J.van Hoek	05OCT2007	Tyco Electronics Corporation 's-Hertogenbosch, Nederland				
DIMENSIONS: mm		CHK	B.Mooij	16OCT2007					
TOLERANCES UNLESS OTHERWISE SPECIFIED:		APVD	J.Broeksteeg	16OCT2005	NAME EUROCARD MALE CONNECTOR TYPE G 64 POS. ANGLED				
0 PLC ± - 1 PLC ± - 2 PLC ± - 3 PLC ± - 4 PLC ± - ANGLES ± -		PRODUCT SPEC		SIZE				CAGE CODE	DRAWING NO
MATERIAL		FINISH		WEIGHT	A3 00779 C-4-1393755-2		-		
CUSTOMER DRAWING				SCALE	1:1	SHEET	1 OF 1	REV	A1