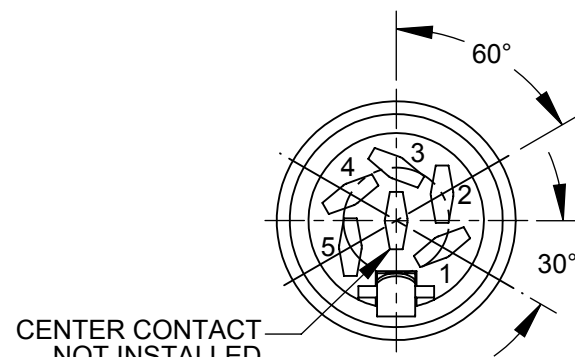
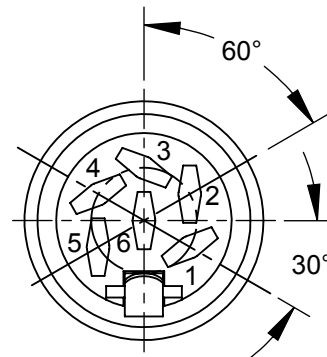


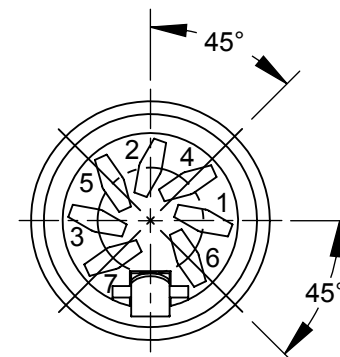
06AL5FX
5 CONTACTS AT 180°



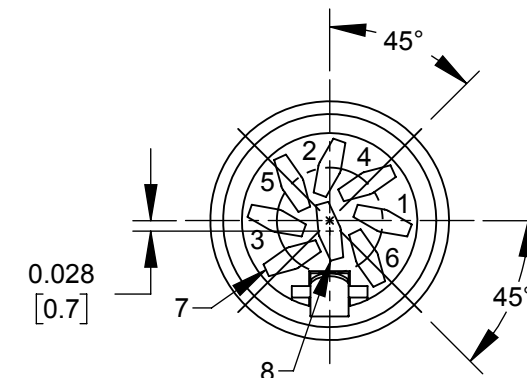
13AL5FX
5 CONTACTS AT 240°



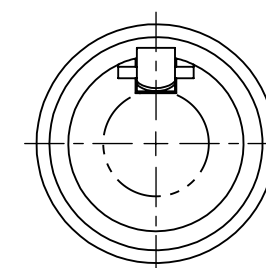
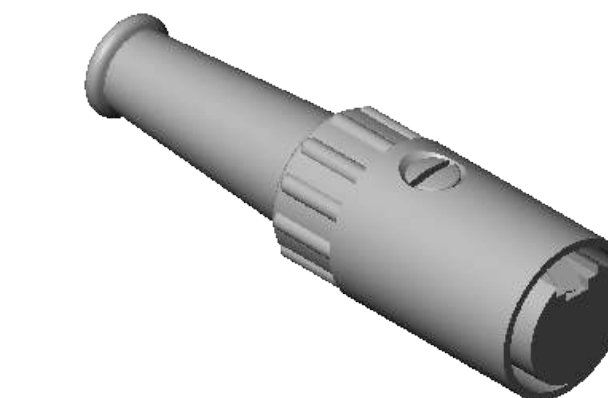
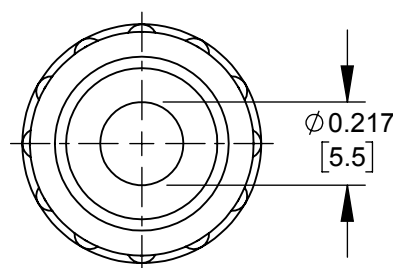
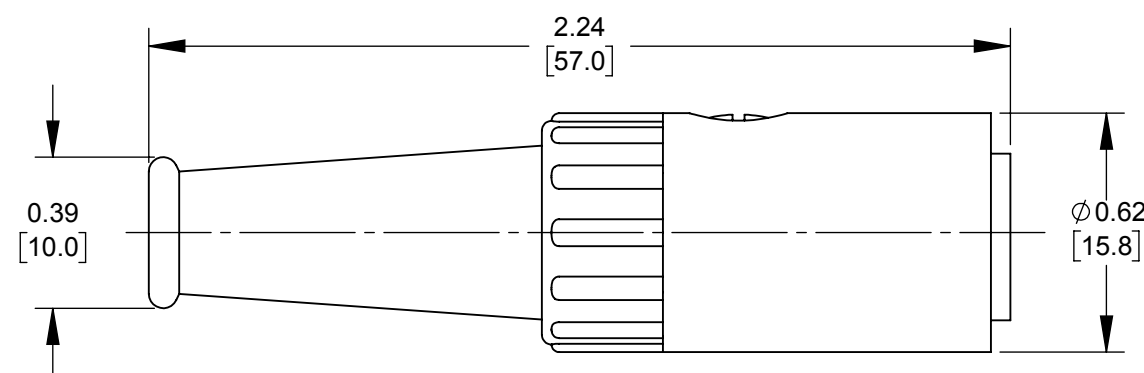
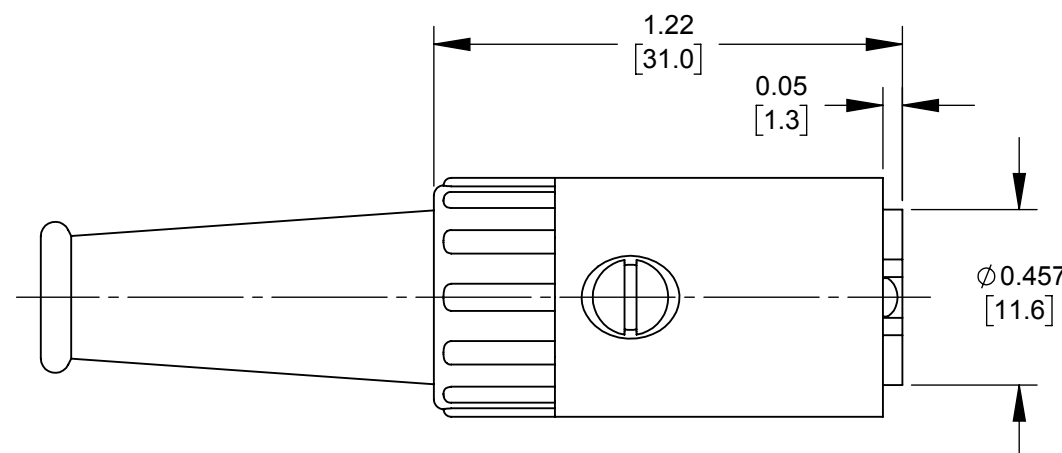
13AL6FX
6 CONTACTS AT 240°



15AL7FX
7 CONTACTS AT 270°



15AL8FX
8 CONTACTS AT 270°



NOTES:

1. SHIPPED ASSEMBLED.
2. 0.04 [1.0mm] X 0.07 [1.7mm] SLOT IN CONTACTS FOR SOLDERING.
3. MATERIALS:
HOUSING - ZINC ALLOY, NICKEL PLATED
INSERT - THERMOPLASTIC, BLACK
CONTACTS - COPPER ALLOY, TIN PLATED
FLEX RELIEF - THERMOPLASTIC, BLACK
CABLE CLAMP - STEEL, NICKEL PLATED
SCREW - STEEL, NICKEL PLATED
4. THESE PRODUCTS ARE RoHS COMPLIANT.

CUSTOMER DRAWING

REV	ECO NUMBER	DATE	BY	APVD
A	26000	3/3/06	TJK	TJK
REVISIONS				

UNLESS OTHERWISE SPECIFIED

1. ALL DIMENSIONS IN INCHES
- TWO PLACE DECIMALS ±0.02
- THREE PLACE DECIMALS ±0.005

DO NOT SCALE DRAWING

THIS DRAWING DESCRIBES A DESIGN CONSIDERED PROPRIETARY IN NATURE, DEVELOPED AND MANUFACTURED BY SWITCHCRAFT INC. AND IS RELEASED ON A CONFIDENTIAL BASIS FOR IDENTIFICATION PURPOSES ONLY.				
SIZE	WIDTH	MULT	LBS/M	TEMPER
FINISH		MATERIAL		
SPEC No.		SPEC No.		
FIRST USED ON		SCALE 2:1		
DATE DRAWN	BY	CHKD TO	APVD TJK	
10-Jun-13	TO	6-10-13	6-10-13	
NAME		PART No.		REV
FEMALE DIN 5-8 PIN CORD PLUG CONNECTOR, RoHS		06AL_FX, 13AL_FX, 15AL_FX_SERIES		A
SHEET 1 OF 1				

SolidWorks CAD File