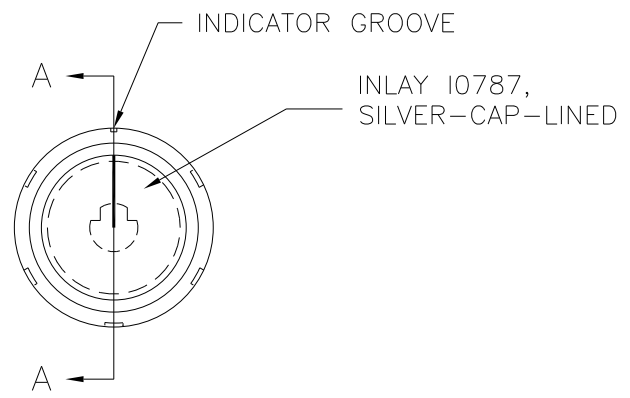


PART NAME: KNOB      SCALE: 1:1      DATE: 11/16/92      DR. BY HD

DAVIES MOLDING COMPANY  
CAROL STREAM, ILLINOIS 60188

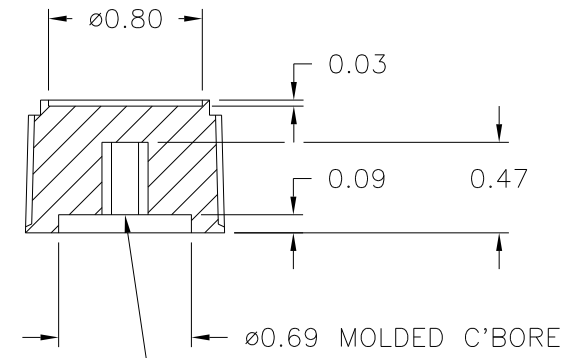
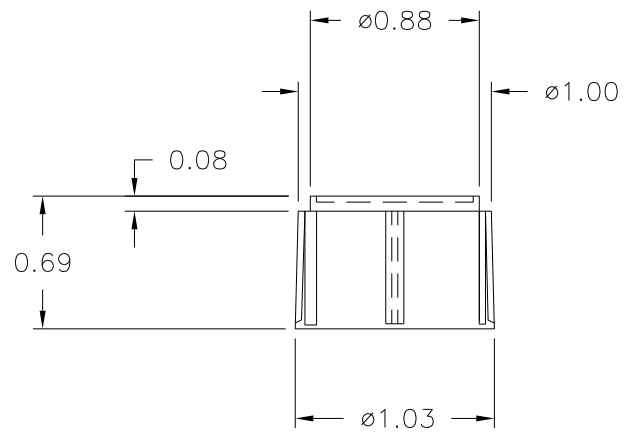
|            |         |
|------------|---------|
| P/N 1204BQ |         |
| BASE PART  | 1204-06 |
| SPRING     | I0476   |
| INLAY      | I0787   |

THIS DRAWING IS THE PROPERTY OF DAVIES MOLDING COMPANY, IS SUBMITTED SOLELY AS A DESIGN OR ENGINEERING PROJECT. WE ACCEPT NO RESPONSIBILITY WHATSOEVER FOR THE PRACTICAL APPLICATION OF THE PIECES MADE TO THIS DESIGN.



(A)

SECTION A-A



SPRING INSERT I0476 TO ACCOMODATE  $\phi 0.250$  SHAFT FLATTED TO 5/32.

MATERIAL: G.P. PHENOLIC (B11)  
COLOR: BLACK

|   |  |   |  |     |           |
|---|--|---|--|-----|-----------|
| TOLERANCES:<br>UNLESS OTHERWISE SPECIFIED     | DO NOT SCALE<br>DRAWING                  | A | REMOVED "MOLDED HOLE<br>DETAIL" VIEW,<br>DRAWN INCORRECTLY | JAM | 1/29/04   |
| DECIMALS: X.XXX $\pm$ .005<br>X.XX $\pm$ .015 | MM: X.XX $\pm$ 0.15MM<br>X.X $\pm$ 0.4MM | - | UPDATED/HAD TOOLBOX  | ST  | 5/31/2000 |
| FRACTIONS $\pm$ 1/64                          | ANG. $\pm$ 1°                            | - | UPGRADED DWG.  | HD  | 7/10/97   |
| CHANGES                                       |  |   |  |     |           |