

NOTES:

1.MATERIALS:

1-1.HOUSING: SEE TABLE ,GLASS FIBER FILLED UL94V-0,
COLOR: SEE TABLE.

1-2.CONTACT: SEE TABLE

2.PLATING:

2-1.CONTACT AREA: GOLD, THICKNESS : SEE TABLE .

2-2.SOLDER TAIL: 100 MICROINCH MIN. TIN PLATING.

2-3.UNDER PLATING: 50 MICROINCH MIN. NICKEL PLATING OVERALL.

3.WEEK CODE: XX(YEAR) XX(WEEK) X(LOCATION).

4.PRODUCT SPECIFICATION REFER TO PS-87715-200.

5.PACKAGING SPECIFICATION REFER TO PK-87715-207.

6.TEST SUMMARY:REFER TO TS-87715-207.

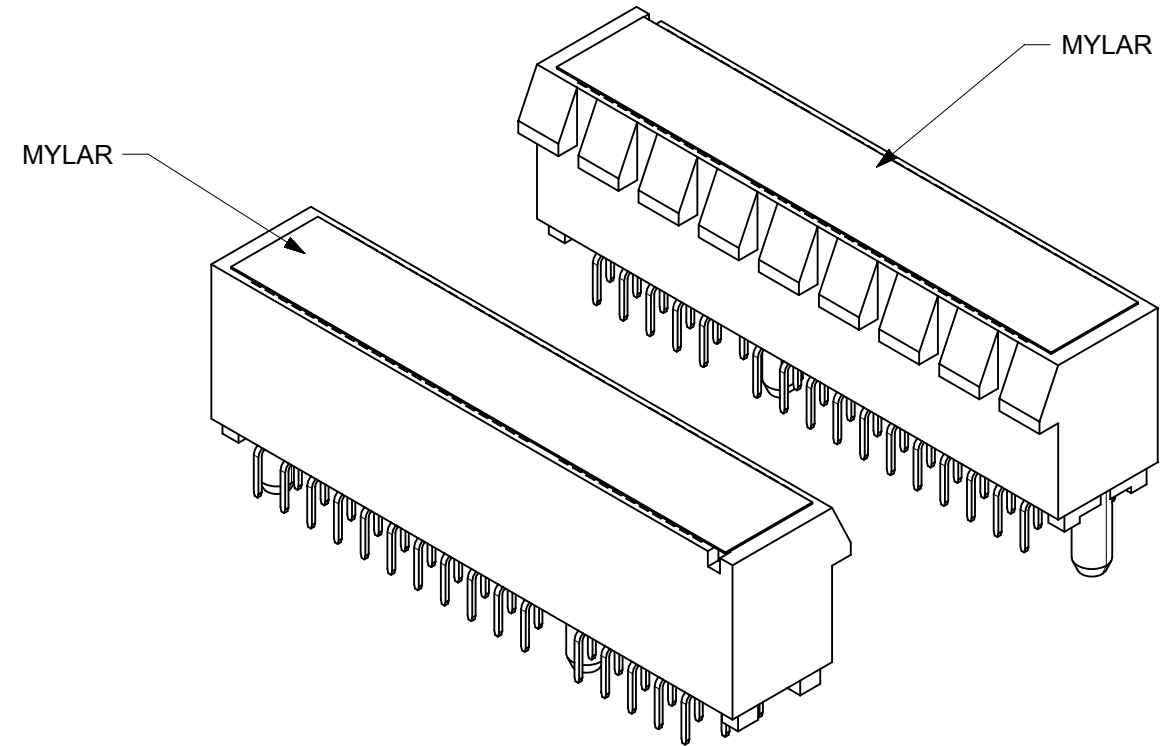
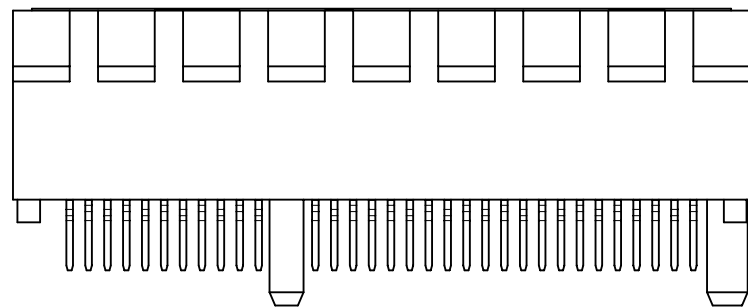
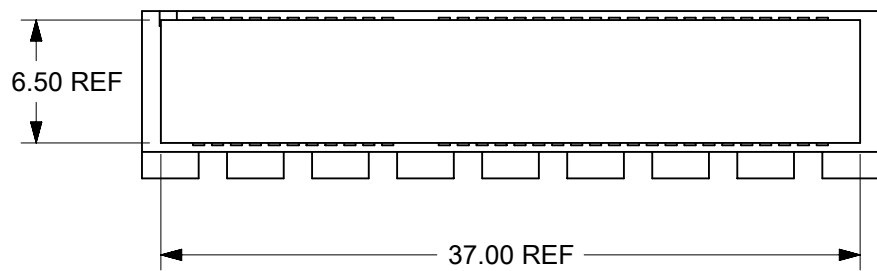
7.LEAD FREE AND ROHS COMPLIANCE PRODUCT.

CONNECTOR LINK WIDTH	# POS REF	N	DIM "A"	DIM "B"	DIM "C"
X1	36	6	7.65	25.00	9.15
X4	64	20	21.65	39.00	23.15
X8	98	37	38.65	56.00	40.15
X16	164	70	71.65	89.00	73.15

PCB THK (REF)	DIM "D"
1.60	2.30
1.58	2.54
2.36	3.00

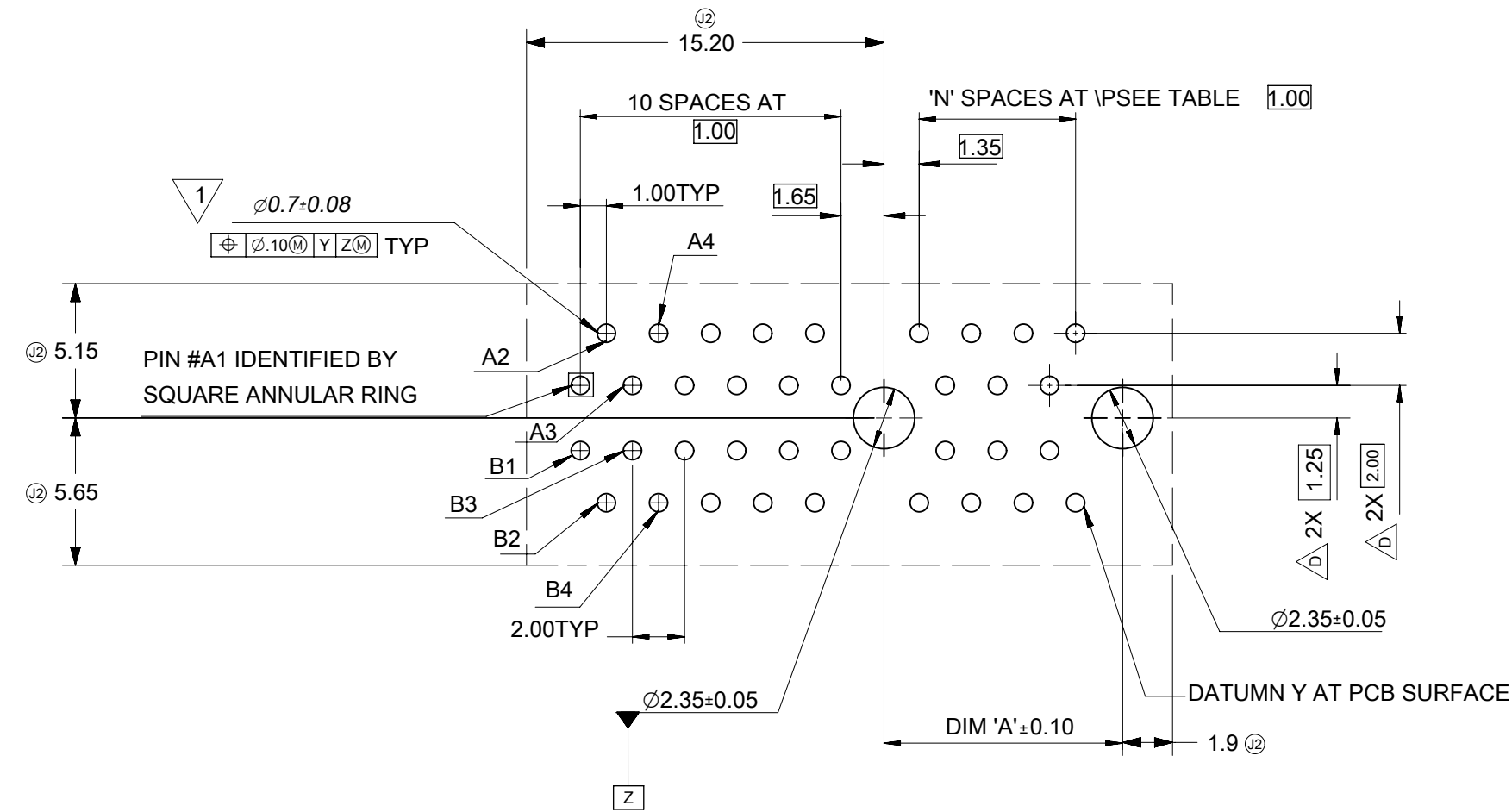
THIS DRAWING CONTAINS INFORMATION THAT IS PROPRIETARY TO MOLEX ELECTRONIC TECHNOLOGIES, LLC AND SHOULD NOT BE USED WITHOUT WRITTEN PERMISSION									
DIMENSION UNITS		SCALE		CURRENT REV DESC: OBSOLETE PART NUMBER AS PER PCN#509451				molex	
mm		NTS							
GENERAL TOLERANCES (UNLESS SPECIFIED)				EC NO: 686785		2021/09/24		PCI EXPRESS	
				DRWN: SUGEEB		2022/02/28		EDGE CARD CONNECTOR (LEAD FREE VERSION)	
				CHK'D: GGA		2022/02/28		PRODUCT CUSTOMER DRAWING	
				APPR: GGA		2022/02/28			
				INITIAL REVISION:				DOCUMENT NUMBER	
4 PLACES ±				DRWN: TOM		2004/07/20		SD-87715-207	
3 PLACES ±				APPR: WILSON		2004/07/20		DOC TYPE	
2 PLACES ± 0.25								PSD	
1 PLACE ± 0.25								DOC PART	
0 PLACES ±								001	
ANGULAR TOL ± 3.0°								REVISION	
								J3	
DRAFT WHERE APPLICABLE MUST REMAIN WITHIN DIMENSIONS				THIRD ANGLE PROJECTION		DRAWING		MATERIAL NUMBER	
						A3-SIZE		CUSTOMER	
						87715		GENERAL MARKET	
						SEE TABLE		SHEET NUMBER	
								1 OF 5	

MOLEX P/N	CIRCUIT SIZE	HOUSING MATERIAL	HOUSING COLOR	TERMINAL MATERIAL	CONTACT PLATING	SOLDER TAIL "D" LENGTH	NOTES
87715-9154	64	NYLON46	BLACK	PHOSPHOR BRONZE	30 MICROINCH	2.54	WITH MYLAR



THIS DRAWING CONTAINS INFORMATION THAT IS PROPRIETARY TO MOLEX ELECTRONIC TECHNOLOGIES, LLC AND SHOULD NOT BE USED WITHOUT WRITTEN PERMISSION									
DIMENSION UNITS		SCALE		CURRENT REV DESC: OBSOLETE PART NUMBER AS PER PCN#509451				molex	
mm		NTS							
GENERAL TOLERANCES (UNLESS SPECIFIED)				EC NO: 686785		2021/09/24		PCI EXPRESS	
				DRWN: SUGEEB		2022/02/28		EDGE CARD CONNECTOR (LEAD FREE VERSION)	
				CHK'D: GGA		2022/02/28		PRODUCT CUSTOMER DRAWING	
				APPR: GGA		2022/02/28			
				INITIAL REVISION:				DOCUMENT NUMBER	
				DRWN: TOM		2004/07/20		SD-87715-207	
				APPR: WILSON		2004/07/20		PSD 001 J3	
				ANGULAR TOL ± 3.0°				DOC TYPE DOC PART REVISION	
DRAFT WHERE APPLICABLE MUST REMAIN WITHIN DIMENSIONS				THIRD ANGLE PROJECTION		DRAWING		SERIES	
				A3-SIZE		87715		MATERIAL NUMBER CUSTOMER SHEET NUMBER	
				SEE TABLE		GENERAL MARKET		2 OF 5	

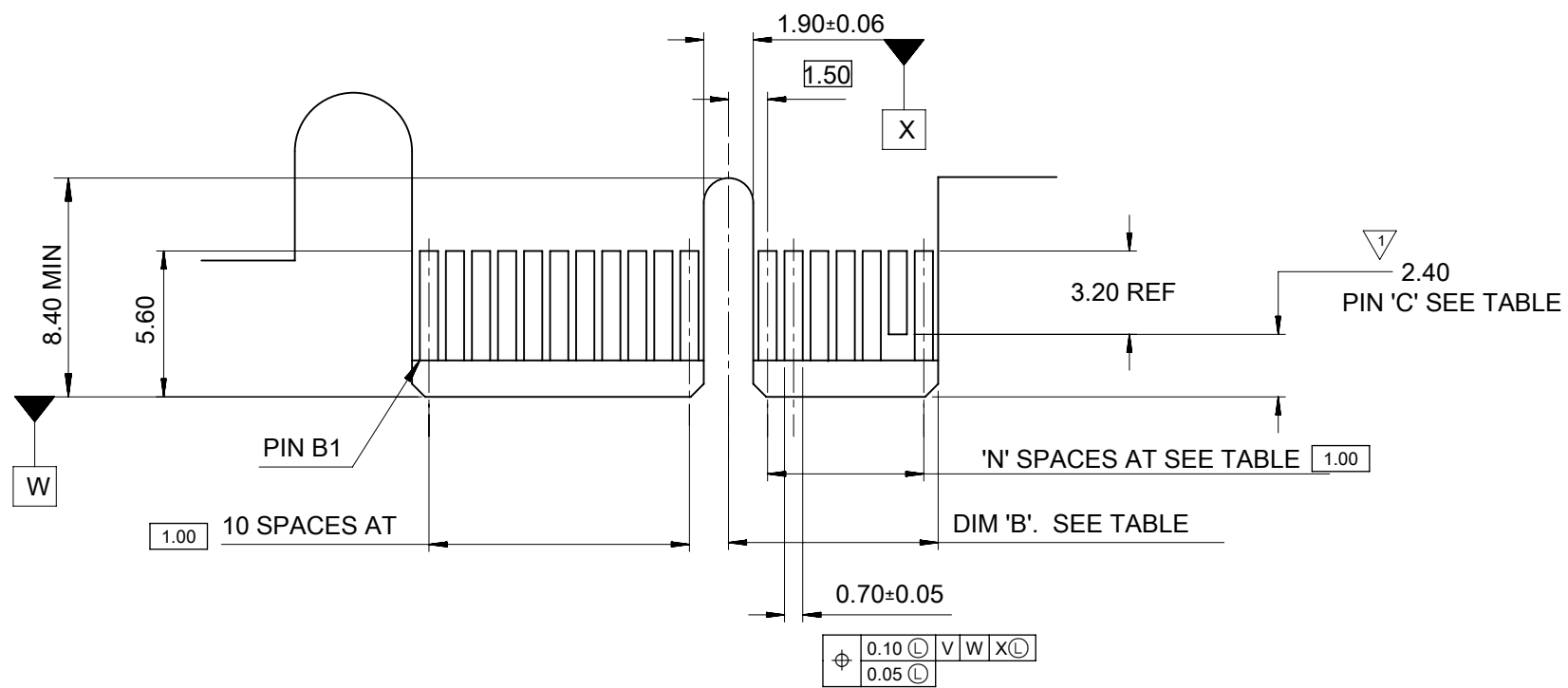
DOCUMENT STATUS	P1	RELEASE DATE	2022/02/28	11:53:53
-----------------	----	--------------	------------	----------



1 THE HORIZONTAL AXIS FOR THE HOLE PATTERN IS ESTABLISHED BY A LINE THROUGH THE CENTER OF THE TWO $\varnothing 2.35$ HOLES. THE VERTICAL AXIS IS 90° TO THE HORIZONTAL AXIS, THROUGH THE CENTER OF DATUM Z

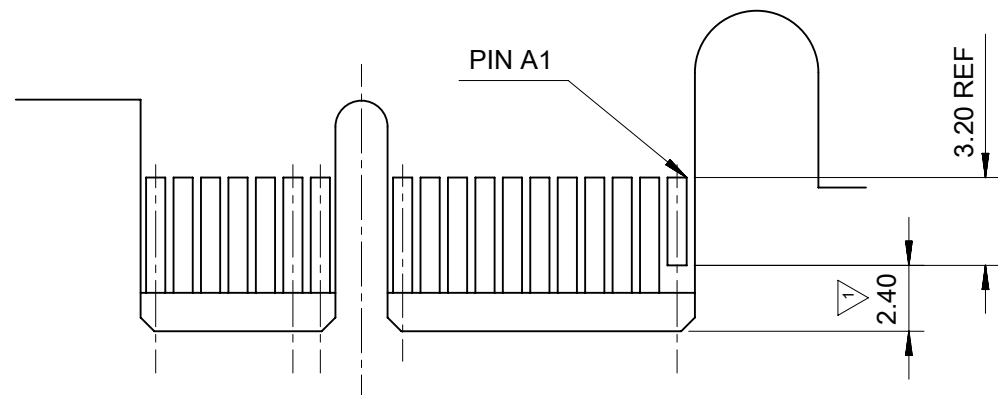
CONNECTOR LINK WIDTH	# POS REF	N	DIM 'A'
X1	36	6	9.15
X4	64	20	23.15
X8	98	37	40.15
X16	164	70	73.15

THIS DRAWING CONTAINS INFORMATION THAT IS PROPRIETARY TO MOLEX ELECTRONIC TECHNOLOGIES, LLC AND SHOULD NOT BE USED WITHOUT WRITTEN PERMISSION									
DIMENSION UNITS mm		SCALE NTS		CURRENT REV DESC: OBSOLETE PART NUMBER AS PER PCN#509451				molex	
GENERAL TOLERANCES (UNLESS SPECIFIED)				EC NO: 686785					
				DRWN: SUGEEB 2021/09/24				PCI EXPRESS EDGE CARD CONNECTOR (LEAD FREE VERSION)	
				CHK'D: GGA 2022/02/28				PRODUCT CUSTOMER DRAWING	
				APPR: GGA 2022/02/28				DOCUMENT NUMBER	
				INITIAL REVISION:				SD-87715-207	
				DRWN: TOM 2004/07/20				DOC TYPE	
				APPR: WILSON 2004/07/20				PSD	
				ANGULAR TOL ± 3.0°				DOC PART	
				DRAFT WHERE APPLICABLE MUST REMAIN WITHIN DIMENSIONS				001	
				THIRD ANGLE PROJECTION				REVISION	
				DRAWING				J3	
				SERIES				SHEET NUMBER	
				A3-SIZE 87715				3 OF 5	
				MATERIAL NUMBER				CUSTOMER	
				SEE TABLE				GENERAL MARKET	



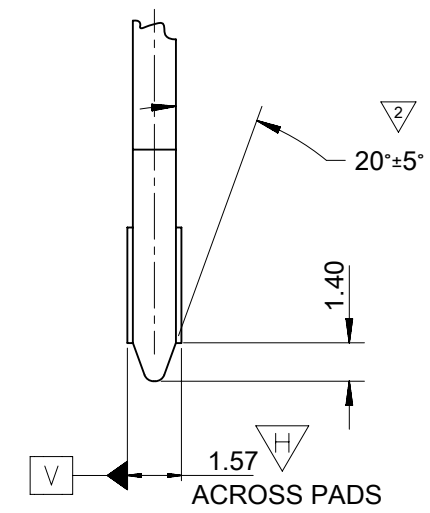
← I/O PANEL DIRECTION

PRIMARY (COMPONENT) SIDE



I/O PANEL DIRECTION →

SECONDARY (SOLDER) SIDE



- 1 NO TIE BAR PERMITTED FROM CARD EDGE TO LEADING EDGE OF PAD FOR PINS A1 AND "C".
- 2 CHAMFER EDGES MUST BE FREE OF CUTTING BURRS.
- 3. TOLERANCE: .XX±.13

CONNECTOR LINK WIDTH	# POS REF	N	DIM 'B'	'C' ¹
X1	36	6	8.15	B17
X4	64	20	22.15	B17, B31
X8	98	37	39.15	B17, B31 B48
X16	164	70	72.15	B17, B31 B48, B81

THIS DRAWING CONTAINS INFORMATION THAT IS PROPRIETARY TO MOLEX ELECTRONIC TECHNOLOGIES, LLC AND SHOULD NOT BE USED WITHOUT WRITTEN PERMISSION														
DIMENSION UNITS mm		SCALE NTS		CURRENT REV DESC: OBSOLETE PART NUMBER AS PER PCN#509451				molex		PCI EXPRESS EDGE CARD CONNECTOR (LEAD FREE VERSION)				
GENERAL TOLERANCES (UNLESS SPECIFIED)				EC NO: 686785 DRWN: SUGEEB CHK'D: GGA APPR: GGA										
4 PLACES ±		±		2021/09/24				PRODUCT CUSTOMER DRAWING						
3 PLACES ±		±		2022/02/28										
2 PLACES ±		0.25 ±		2022/02/28				DOCUMENT NUMBER SD-87715-207						
1 PLACE ±		0.25 ±		INITIAL REVISION:										
0 PLACES ±		±		DRWN: TOM APPR: WILSON				DOC TYPE PSD		DOC PART 001				
ANGULAR TOL ± 3.0°				2004/07/20				REVISION J3						
DRAFT WHERE APPLICABLE MUST REMAIN WITHIN DIMENSIONS			THIRD ANGLE PROJECTION		DRAWING A3-SIZE		SERIES 87715		MATERIAL NUMBER SEE TABLE		CUSTOMER GENERAL MARKET		SHEET NUMBER 4 OF 5	

MOLEX P/N	CIRCUIT SIZE	HOUSING MATERIAL	HOUSING COLOR	TERMINAL MATERIAL	CONTACT PLATING	SOLDER TAIL "D" LENGTH	NOTES
87715-9100	64	NYLON46	BLACK	PHOSPHOR BRONZE	GOLD FLASH	2.54	WITHOUT MYLAR
87715-9105					15 MICROINCH	3.00	
87715-9106					30 MICROINCH	2.54	

MOLEX P/N	CIRCUIT SIZE	HOUSING MATERIAL	HOUSING COLOR	TERMINAL MATERIAL	CONTACT PLATING	SOLDER TAIL "D" LENGTH	NOTES
87715-9202	98	NYLON46	BLACK	PHOSPHOR BRONZE	15 MICROINCH	2.54	WITHOUT MYLAR
87715-9205					15 MICROINCH	3.00	
87715-9206					30 MICROINCH	2.54	

THIS DRAWING CONTAINS INFORMATION THAT IS PROPRIETARY TO MOLEX ELECTRONIC TECHNOLOGIES, LLC AND SHOULD NOT BE USED WITHOUT WRITTEN PERMISSION									
DIMENSION UNITS		SCALE		CURRENT REV DESC: OBSOLETE PART NUMBER AS PER PCN#509451				molex	
mm		NTS							
GENERAL TOLERANCES (UNLESS SPECIFIED)				EC NO: 686785		2021/09/24		PCI EXPRESS	
				DRWN: SUGEEB		2022/02/28		EDGE CARD CONNECTOR (LEAD FREE VERSION)	
				CHK'D: GGA		2022/02/28		PRODUCT CUSTOMER DRAWING	
				APPR: GGA		2022/02/28			
				INITIAL REVISION:				DOCUMENT NUMBER	
				DRWN: TOM		2004/07/20		SD-87715-207	
				APPR: WILSON		2004/07/20		PSD 001 J3	
				ANGULAR TOL ± 3.0°				DOC TYPE	
								DOC PART	
								REVISION	
DRAFT WHERE APPLICABLE MUST REMAIN WITHIN DIMENSIONS				THIRD ANGLE PROJECTION		DRAWING		SERIES	
						A3-SIZE		87715	
						MATERIAL NUMBER		CUSTOMER	
						SEE TABLE		GENERAL MARKET	
								SHEET NUMBER	
								5 OF 5	

DOCUMENT STATUS	P1	RELEASE DATE	2022/02/28	11:53:53
-----------------	----	--------------	------------	----------