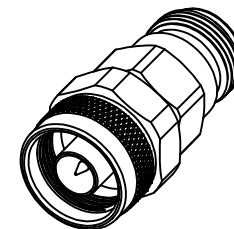
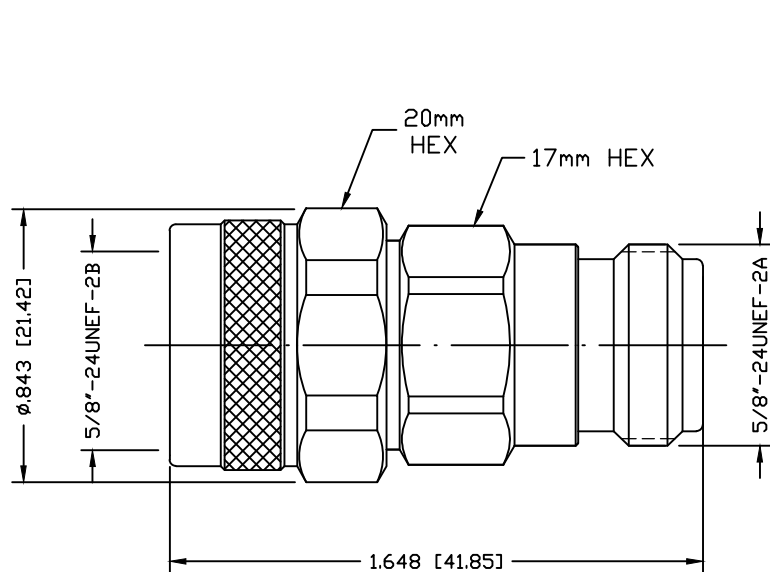


PART NO.

**P2RFN-M-F**

REV	DESCRIPTION	DWN	DATE	APPROVED
-	ENGINEERING RELEASE	CZS	03/13/17	JDMc



NTS

**SPECIFICATIONS:**

IMPEDANCE: 50 Ohms

FREQUENCY RANGE: 0-7.5 GHz

MAX. PIM: &lt;-160dBc (1900 MHz)

VSWR: 0 TO 3 GHz &lt;1.10:1

VSWR: 3 TO 7.5 GHz &lt;1.25:1

INSERTION LOSS: 0.05 dB MAX. @ 3.0 GHz

INSULATION RESISTANCE: 5K MOhms

WORKING VOLTAGE: 1200 vrms MAX.

MATING CYCLES: 500

TEMPERATURE RANGE: -55°C TO 165°C

6	SHELL	1	BRASS	WHITE BRONZE
5	RETAINING RING	1	PHOS. BRONZE	WHITE BRONZE
4	GASKET	1	RUBBER	----
3	CONTACT	1	PHOSPHOR BRONZE	SILVER
2	INSULATOR	1	PTFE	----
1	BODY	1	BRASS	WHITE BRONZE
#	DESCRIPTION	QTY	MATERIAL	FINISH

CUSTOMER  
OUTLINE DRAWINGALL DIMENSIONS  
ARE REFERENCE ONLYUNLESS OTHERWISE SPECIFIED:  
DIMENSIONS ARE IN INCHES  
AND [MILLIMETERS]DRAWN  
C. ZUNIGA 03/13/17  
CHECKEDORJ DRAWN  
C. ZUNIGA 03/13/17**RoHS  
COMPLIANT**PROPRIETARY AND CONFIDENTIAL  
THIS DRAWING CONTAINS  
INFORMATION PROPRIETARY TO  
RF INDUSTRIES, ANY  
UNAUTHORIZED USE OF THIS  
DRAWING IS EXPRESSLY  
PROHIBITED WITHOUT WRITTEN  
PERMISSION FROM RF  
INDUSTRIES. ANY VIOLATION IS  
PUNISHABLE UNDER U.S.  
COPYRIGHT LAWS.**RFconnectors**  
DIVISION OF RF INDUSTRIES, LTD.7610 MIRAMAR RD.  
SAN DIEGO, CA 92126  
(858) 549-6340  
(858) 549-6345 FAX**N MALE TO FEMALE  
ADAPTER**

SIZE	CABLE GROUP	DWG NO.	REV
A	N/A	<b>P2RFN-M-F</b>	—
SCALE:	ENGINEERING ID:	SHEET 1 OF 1	
NTS	000000		