

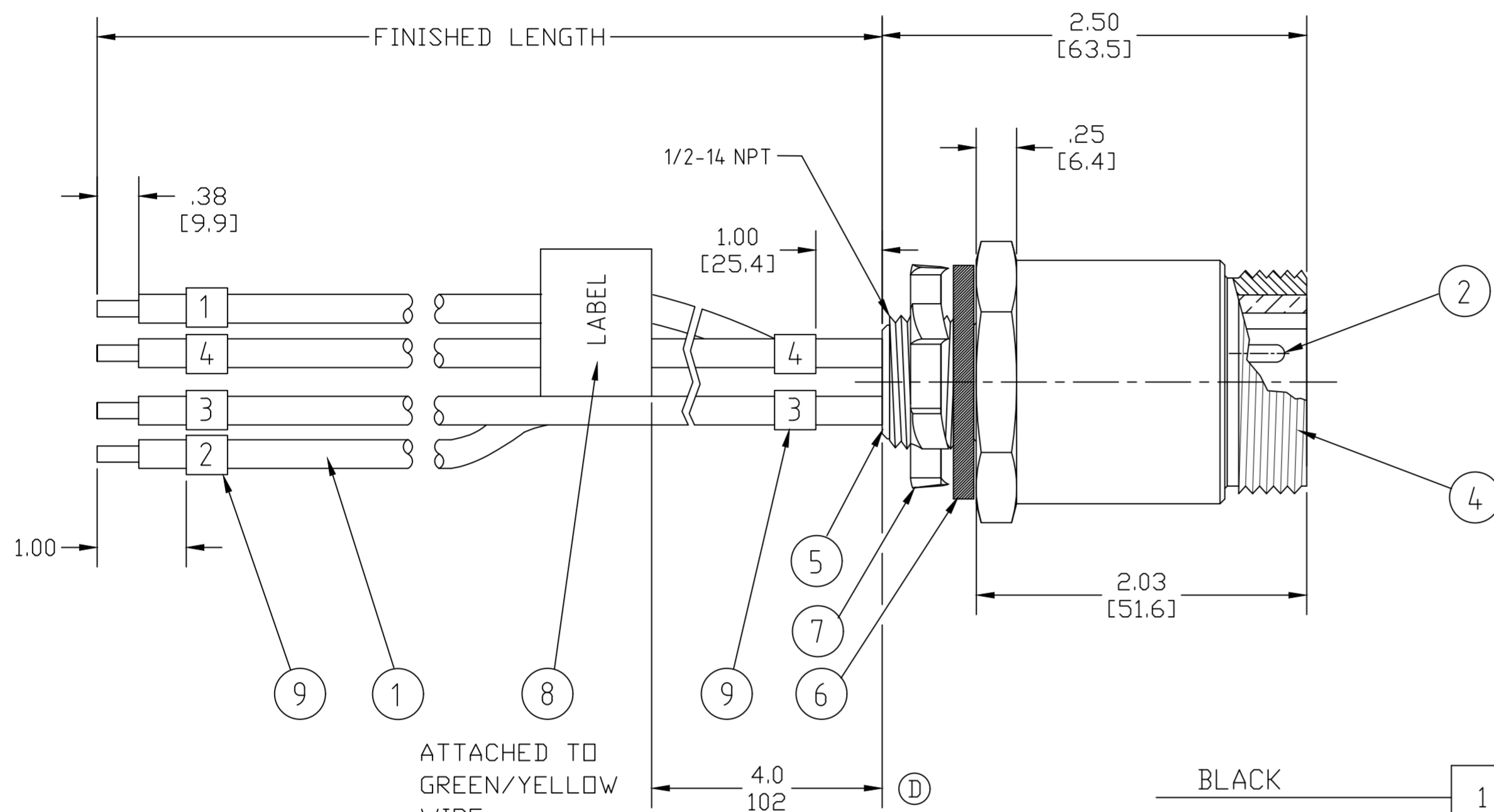
MATERIAL NUMBER	ENGINEERING NUMBER	FINISHED LENGTH
1300660232	CR4006A76M010	1M (3' 3")
1300660233	CR4006A76M020	2M (6' 7")
1300660234	CR4006A76M030	3m (9' 10")
1300660236	CR4006A76M005	0.5m (1' 8")

① PART NUMBER LEGEND
CR4006A76M010

LENGTH
M005 = 0.5 METER
M010 = 1 METER
M100 = 10 METER

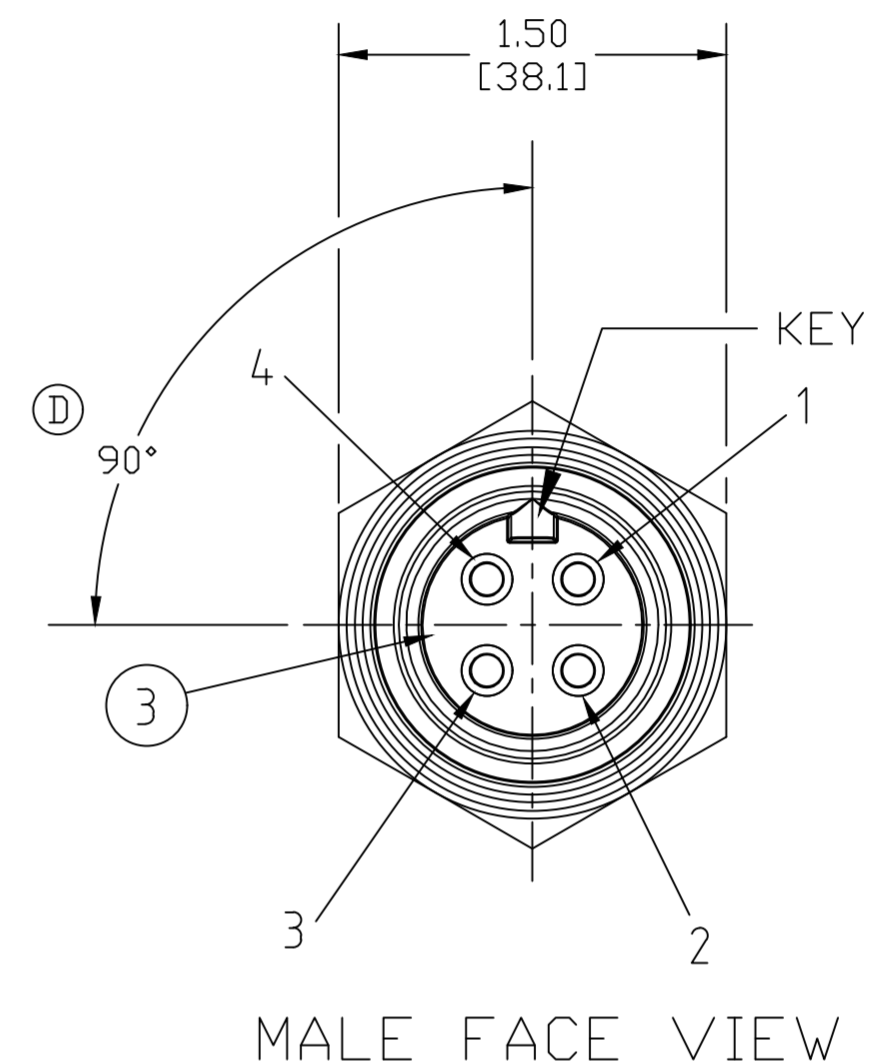
CABLE LENGTH TOLERANCES

<.3M [1FT]	+19mm-0 [+0.75in-0]
.3 - .9M [1 - 3FT]	+44.5mm-0 [+1.75in-0]
.9 - 1.8M [3 - 6FT]	+55.6mm-0 [+2.19in-0]
1.8 - 3.7M [6 - 12FT]	+88.9mm-0 [+3.50in-0]
3.7 - 7.3M [12 - 24FT]	+165.1mm-0 [+6.50in-0]
7.3-14.6M [24 - 48FT]	+317.5mm-0 [+12.50in-0]
14.6 - 30.5M [48-100FT]	+622.3mm-0 [+24.50in-0]
OVER 30M [100FT]	+2% OF FINISHED LENGTH



BLACK	1
GREEN-YELLOW	2
BLACK	3
BLACK	4

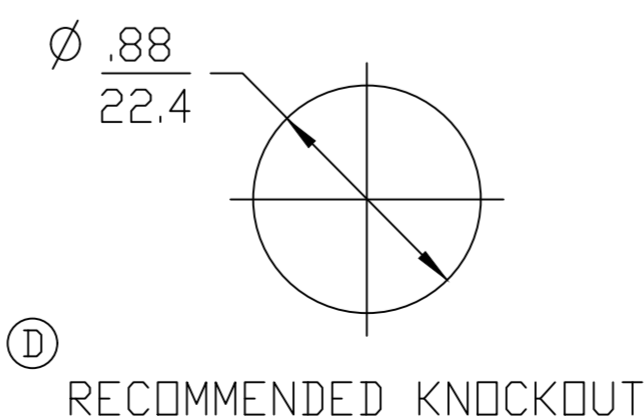
① WIRING DIAGRAM



NOTES:

1. MATERIAL: AS NOTED
2. FINISH: AS NOTED
3. ELECTRICAL:
VOLTAGE: 4P: 500V PER IEC60664
600V PER UL2237
CURRENT: 32A
4. TEMP RATING: -20°TO +90°C
5. PROTECTION: IP67 (WHEN MATED)
6. COUPLING THREAD: 1 3/8-16 UN
7. UL LISTED FILE: E258922
8. ALL DIMS ARE FOR REFERENCE UNLESS NOTED OR TOLERANCED OTHERWISE

9	WIRE IDENTIFIER LABEL	VINYL	BLACK ON WHITE
8	FLAG LABEL	VINYL	YELLOW
7	1/2-14 NPT LOCKNUT	STEEL	ZINC PLATE
6	GASKET	NEOPRENE	BLACK
5	POTTING	EPOXY	BLACK
4	RECEPTACLE SHELL	ALUMINUM	ANODIZED
3	MALE INSERT	TPE	BLACK
2	CONTACT PIN	COPPER ALLOY	GOLD PLATED
1	#10-1 WIRE UL1015	PVC JACKET	SEE FACE VIEW
ITEM	DESCRIPTION	MATERIAL	FINISH



THIS DRAWING CONTAINS INFORMATION THAT IS PROPRIETARY TO MOLEX ELECTRONIC TECHNOLOGIES, LLC AND SHOULD NOT BE USED WITHOUT WRITTEN PERMISSION											
FUNCTIONAL SYMBOLS	DIMENSION UNITS	SCALE	CURRENT REV DESC: LABEL DIM WAS 7.00, ADD 90 DEG FOR KEY, WIRE DIAGRAM & KNOCKOUT HOLE, UPDATE BORDER ADD P/N LEGEND								
	INCH/MM	1:1									
DIVISIONAL SYMBOLS	GENERAL TOLERANCES (UNLESS SPECIFIED)		EC NO: 646752								
	4 PLACES	±----	±----	DRWN: RSTONE 2020/10/07							
FUNCTIONAL SYMBOLS	3 PLACES	±----	±----	CHK'D: CCHRSTKA 2020/10/09							
	2 PLACES	±----	±----	APPR: BWOODMAN 2020/10/12							
	1 PLACE	±----	±----	INITIAL REVISION:							
	0 PLACES	±----	±----	DRWN: MODELL 2008/04/28							
ANGULAR TOL ± ---- °		THIRD ANGLE PROJECTION		DRAWING		SERIES		MATERIAL NUMBER		CUSTOMER	
DRAFT WHERE APPLICABLE MUST REMAIN WITHIN DIMENSIONS		C-SIZE		130066		SEE P/N LEGEND		GM		SHEET NUMBER	
<p>PRODUCT CUSTOMER DRAWING</p> <p>DOCUMENT NUMBER: SD-130066-006 DOC TYPE/DOC PART/REVISION: PSD 001 D</p>											