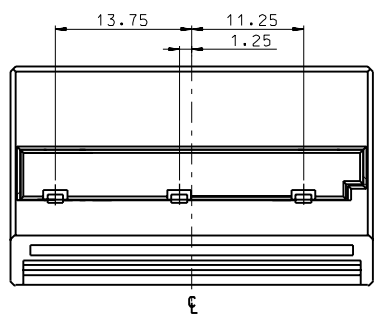
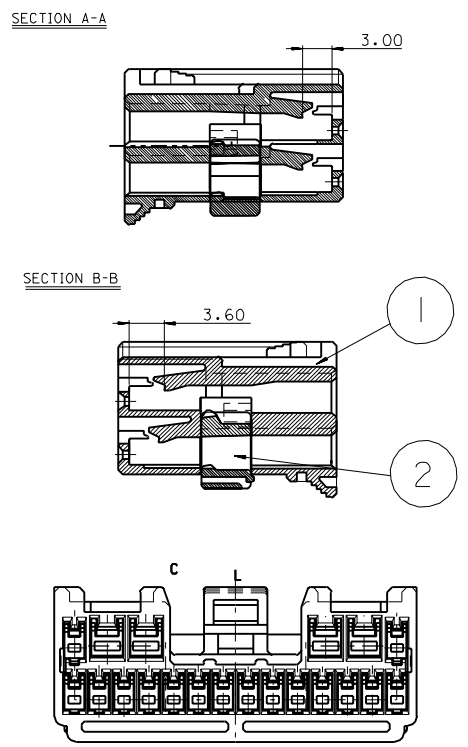
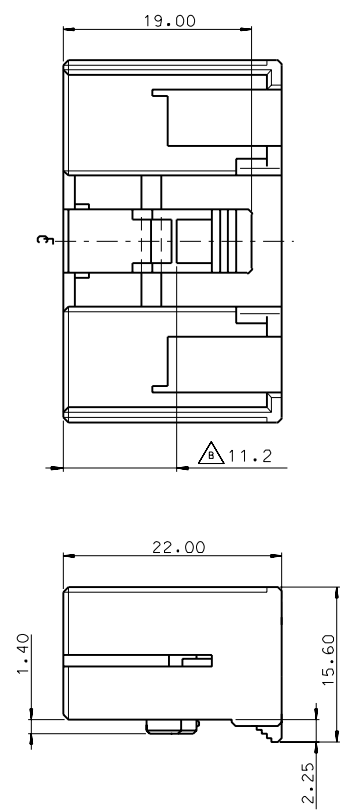
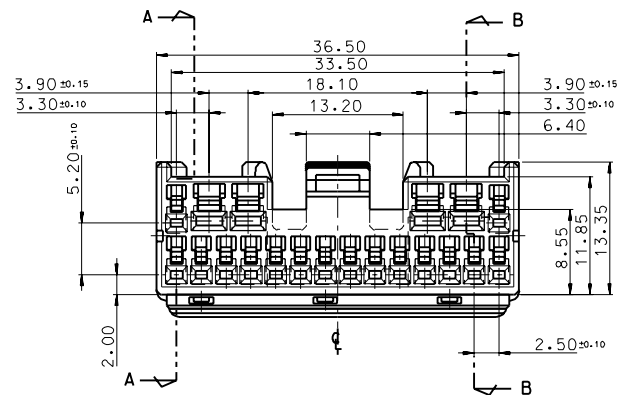


DWG. NO. SD-35896-008  
 SIMILAR ITEM  
 PROJECT NO.  
 C  
 B  
 DO NOT SCALE DRAWING DIMENSION IN METRIC

8 7 6 5 4 3 2 1

NO.	PART NO.	PART NAME	MATERIAL	REMARK
1	35896-2090	.040/090 F/HSG 20P	POLYESTER	WHITE
2	35896-2083	.040/090 FEMALE TPA 20P	POLYESTER	YELLOW



NOTE  
 1. MATERIAL & FINISH: SEE TABLE  
 2. APPLICATION: .040/090 MALE HOUSING ASS'Y 20P(ENG. NO.:35897-2010)

1	358962010	35896-2010
NO.	MATERIAL NO.	ENG. NO.

DIMENSIONS:  mm  INCH  mm ONLY  
 SHT REV  
 REVISE ON CAD ONLY

RELEASE TO MANUFACTURING EC NO.: KOR2002-0139 DRWN: H.C.RHO 02/06/25 CHK: B.K.CHOI 02/06/25 APPR: C.W.LEE 02/06/25	QUALITY SYMBOLS MAJOR = CRITICAL = C =	GENERAL TOLERANCES: (UNLESS SPECIFIED) mm INCH		SCALE 2:1 DESIGN UNITS <input checked="" type="checkbox"/> mm <input type="checkbox"/> INCH	THIRD ANGLE PROJECTION	TITLE: .040/090 FEMALE HOUSING ASS'Y 20P	
		4 PLACES ±0. ±. 3 PLACES ±0. ±. 2 PLACES ±0.2 ±. 1 PLACE ±0.3 ±.	DRAWN BY & DATE 00/09/30 H.C.RHO CHECKED BY & DATE 00/09/30 B.K.CHOI APPROVED BY & DATE 00/09/30 C.W.LEE	MOLEX INCORPORATED			
		ANGULAR: ±   °	CAD FILENAME 49FHA20	MATERIAL NO. SEE CHART	DRAWING NO. SD-35896-008	SHEET NO. 1 OF 1	
		DRAFT WHERE APPLICABLE MUST REMAIN WITHIN DIMENSIONS	THIS DRAWING CONTAINS INFORMATION THAT IS PROPRIETARY TO MOLEX INCORPORATED AND SHOULD NOT BE USED WITHOUT WRITTEN PERMISSION.		SIZE B		

8 7 6 5 4 3 2 1