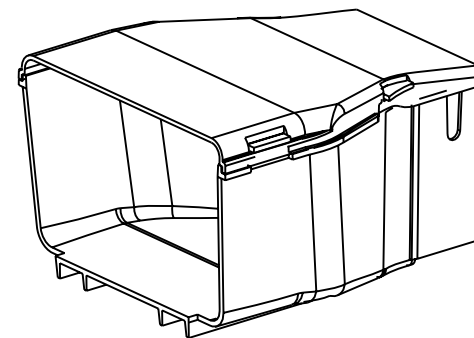
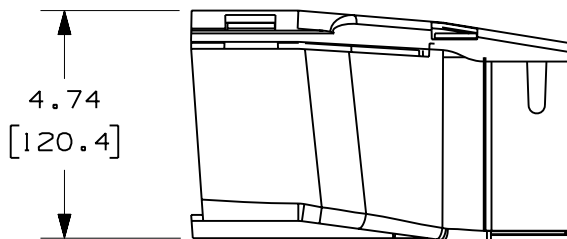
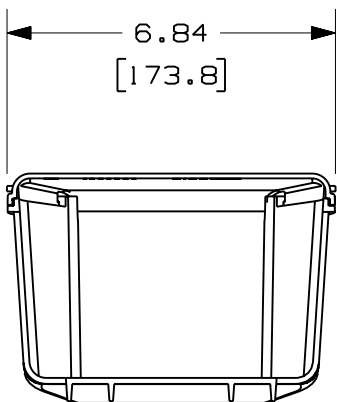


PANDUIT PART NUMBER	WEIGHT
FRRF64	0.75 LB/EACH (342g/EACH)



NOTES:

1. SEE CURRENT CATALOG FOR ADDITIONAL PART SUFFIXES TO INDICATE COLOR AND/OR PACKAGE QUANTITY.
2. DIMENSIONS IN PARENTHESES ARE IN METRIC.



ENG. REF.: D37185EX_DC_FRRF64_01.prt

CAD FILENAME/LAYERS

FRRF64.pdf

PANDUIT CORP TINLEY PARK, ILLINOIS
**FIBERRUNNER 6x4 TO FIBER-DUCT
 4x4 REDUCER (FRRF64)**
 CUSTOMER DRAWING

UNLESS OTHERWISE SPECIFIED,
 DIMENSIONAL TOLERANCES ARE:
 (.X) ± (.XXX) ±
 (.XX) ± .03 (.8) ANGLES ±

UNLESS OTHERWISE SPECIFIED,
 ALL DIMENSIONS ARE GIVEN IN
 INCHES, THIRD ANGLE PROJECTION.

REV	DATE	BY	CHK	DESCRIPTION	ECN	R	CUST	SUP	GMBH
-	-----	---	---	G. REVISED PART WEIGHT F. REVISED CAD FILENAME	-----	--	--		
2	7-13-06	DTP	RN	E. REVISED DRAWING TITLE D. REVISED AND REDRAWN	37185-70	RN	RN		

DRAWN BY
REWE

DATE
5-4-00

CHK'D
JCHE

MAT'L:
ABS

SCALE
NONE

DRAWING NO.
37185-70

DWG
A

SIZE