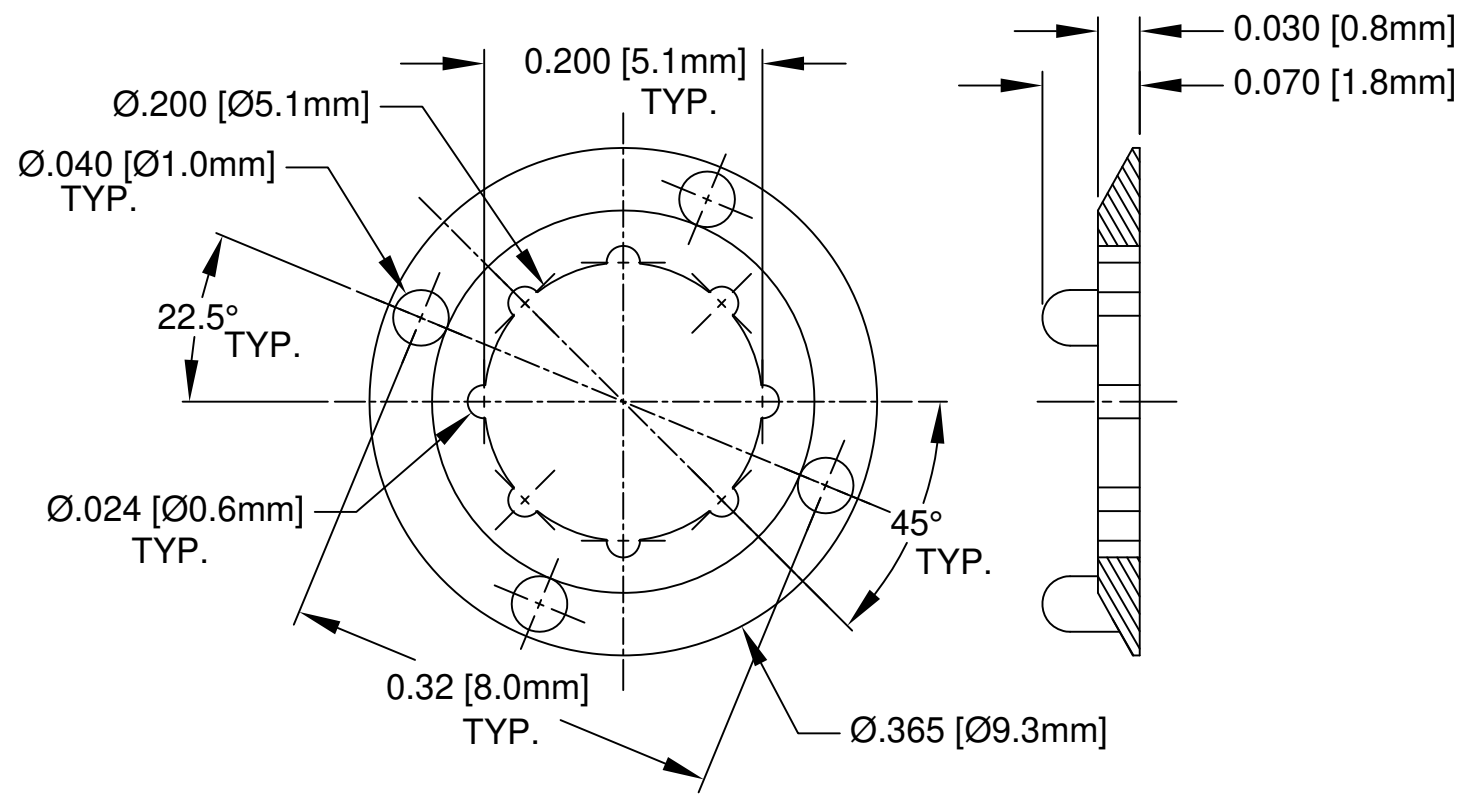

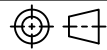


REV.	DESCRIPTION	DATE	APPROVED
A	Engineering Update w/o Changes	02/23/04	M. C.
B	Removed Material Code	05/23/16	J. C.



- 2. MATERIAL: NYLON 6/6, 94V-2, WHITE.
- 1. GENERAL SPECIFICATIONS: BIVAR MOLDED COMPONENT SPECIFICATION BV00-E101.

STANDARD TOLERANCE (UNLESS OTHERWISE SPECIFIED)		 4 THOMAS, IRVINE, CA. 92618 TEL: (949) 951-8808 FAX: (949) 951-3974	
DECIMALS	ANGULAR		
.X ±.1	X° ±1°	 <b>TITLE:</b> PERM-O-PAD TO-5 AND IC MOUNT	
.XX ±.01			<b>PART NO:</b> 616-070
.XXX ±.005			<b>REVISION:</b> B
DESIGNED: <b>S. Irving</b>	DATE: <b>11/09/99</b>	<b>CAGE CODE :</b> 32559	<b>SHEET #</b> 1 OF 1
CHECKED: <b>D. Green</b>	DATE: <b>02/23/04</b>	CAD GENERATED DOCUMENT. DO NOT MEASURE DRAWING.	