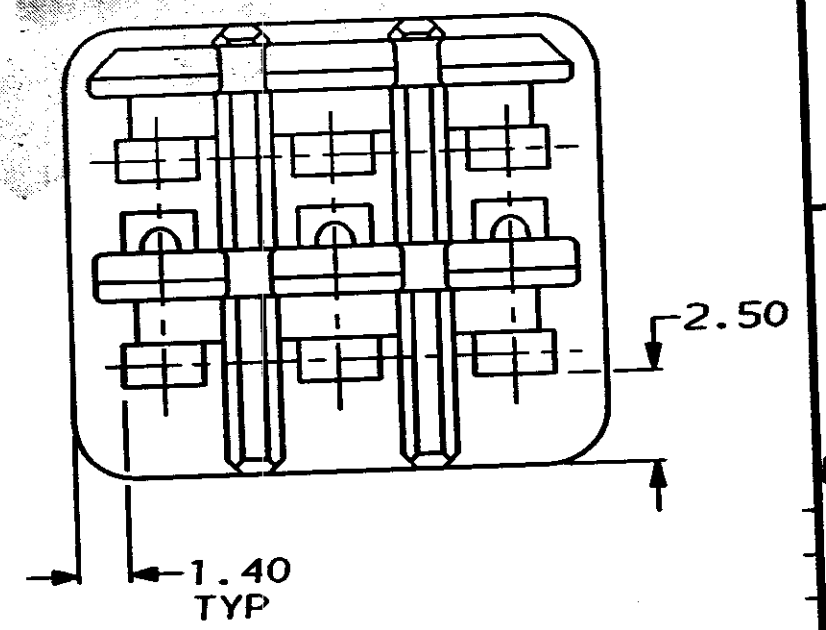
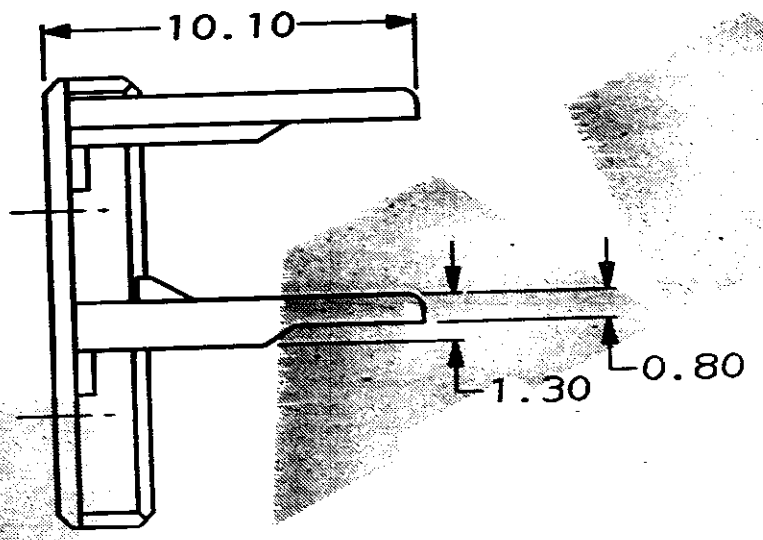
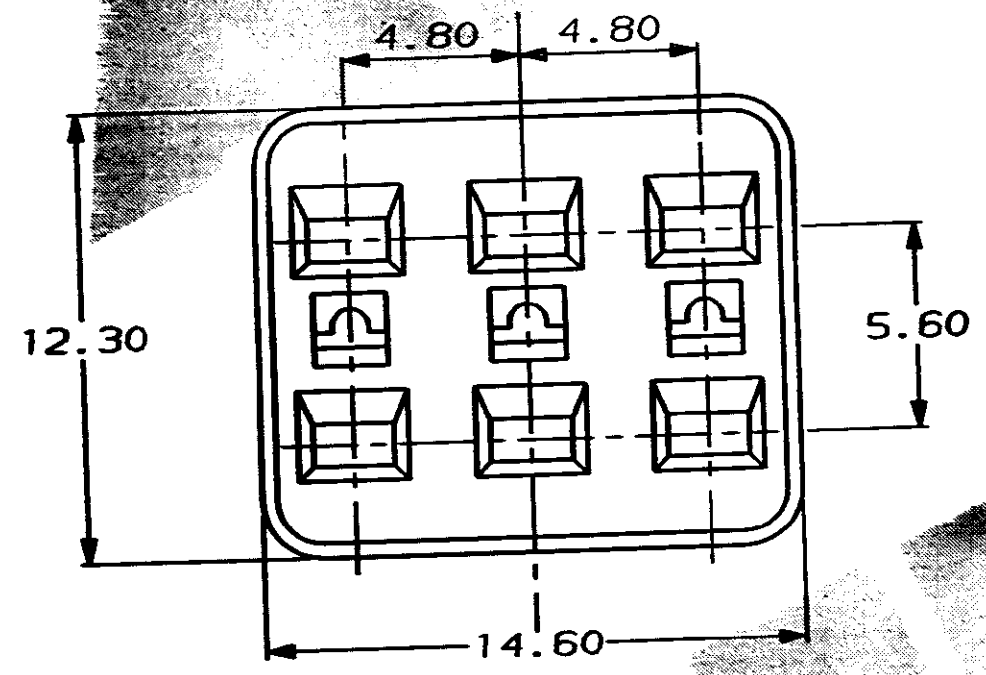
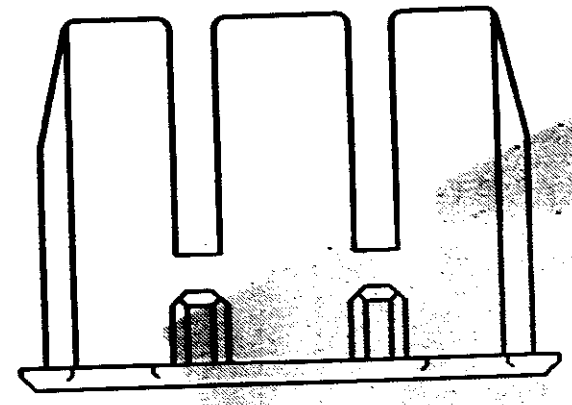


S. C345260.0

DO NOT SCALE

DIMENSIONS IN MM.



NOTE

THIS PART IS USED ON Pt.No. 344267-1

YELLOW		NYLON 66		345260-1	
COLOUR		MATERIAL		PART NUMBER	
CUSTOMER DWG FOR REFERENCE ONLY			© COPYRIGHT 1989 BY AMP OF GREAT BRITAIN LTD. ALL INTERNATIONAL RIGHTS RESERVED. ALL PRODUCTS MAY BE COVERED BY BRITISH AND FOREIGN PATENTS AND/OR PATENTS PENDING.		
			DR. R. RUNAGALL.		05/12/89
			CH. D.R. TERRY.		APP. R. SIMMONS.
			AMP of Great Britain Ltd.		
			TERMINAL HOUSE STANNORE N100X.		
			NAME A/BACKOUT FOR 6 WAY REC. HSG. ECONOSEAL 3 LOW CURRENT		
0	REL. FOR PRODUCTION	C3500	14/08/89	SCALE 5/1	LOC E
REV	APPROVED	ECN	DATE	SIZE A3	DWG. No. C345260
					REV 0
					SHEET 1/1