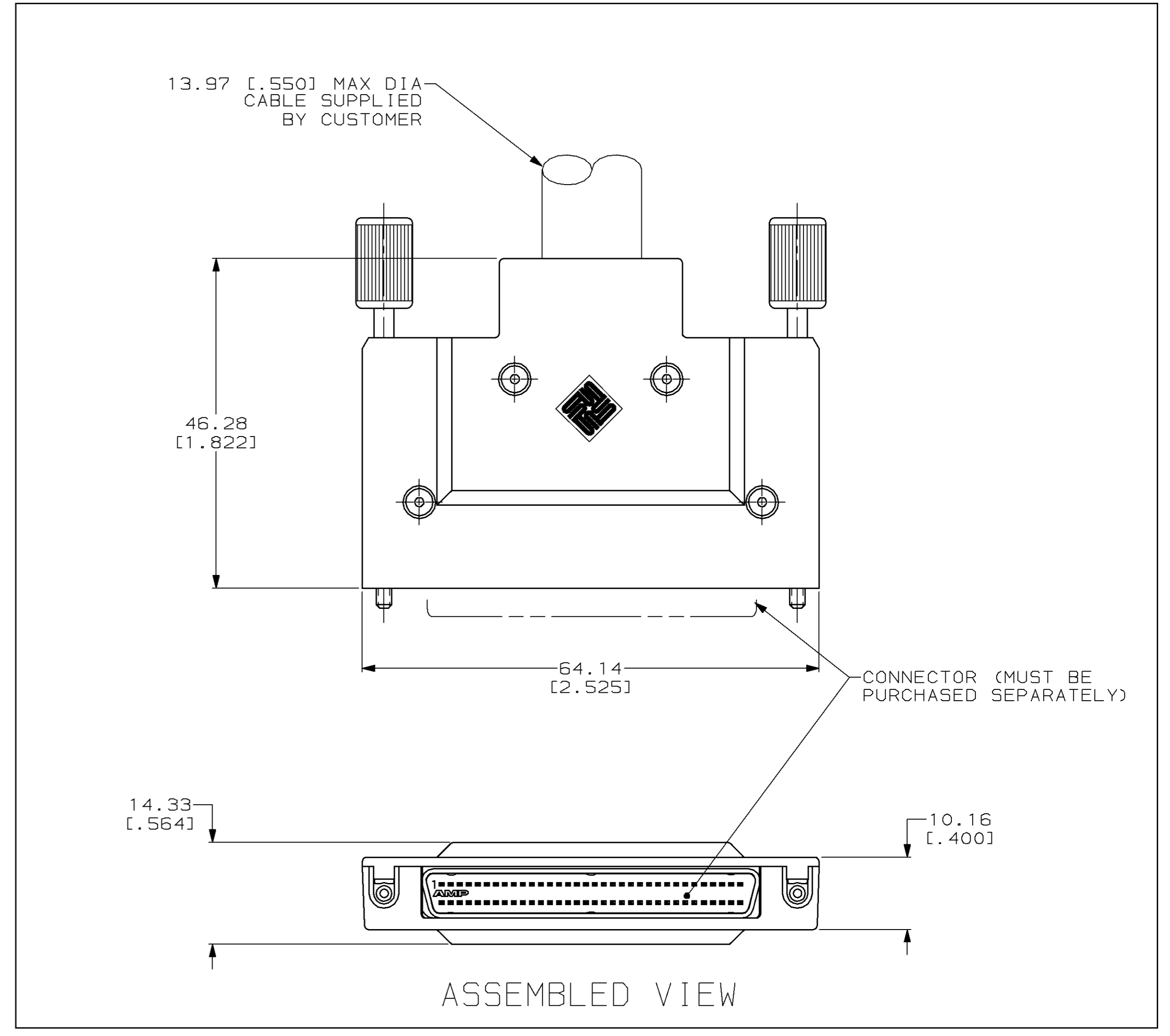
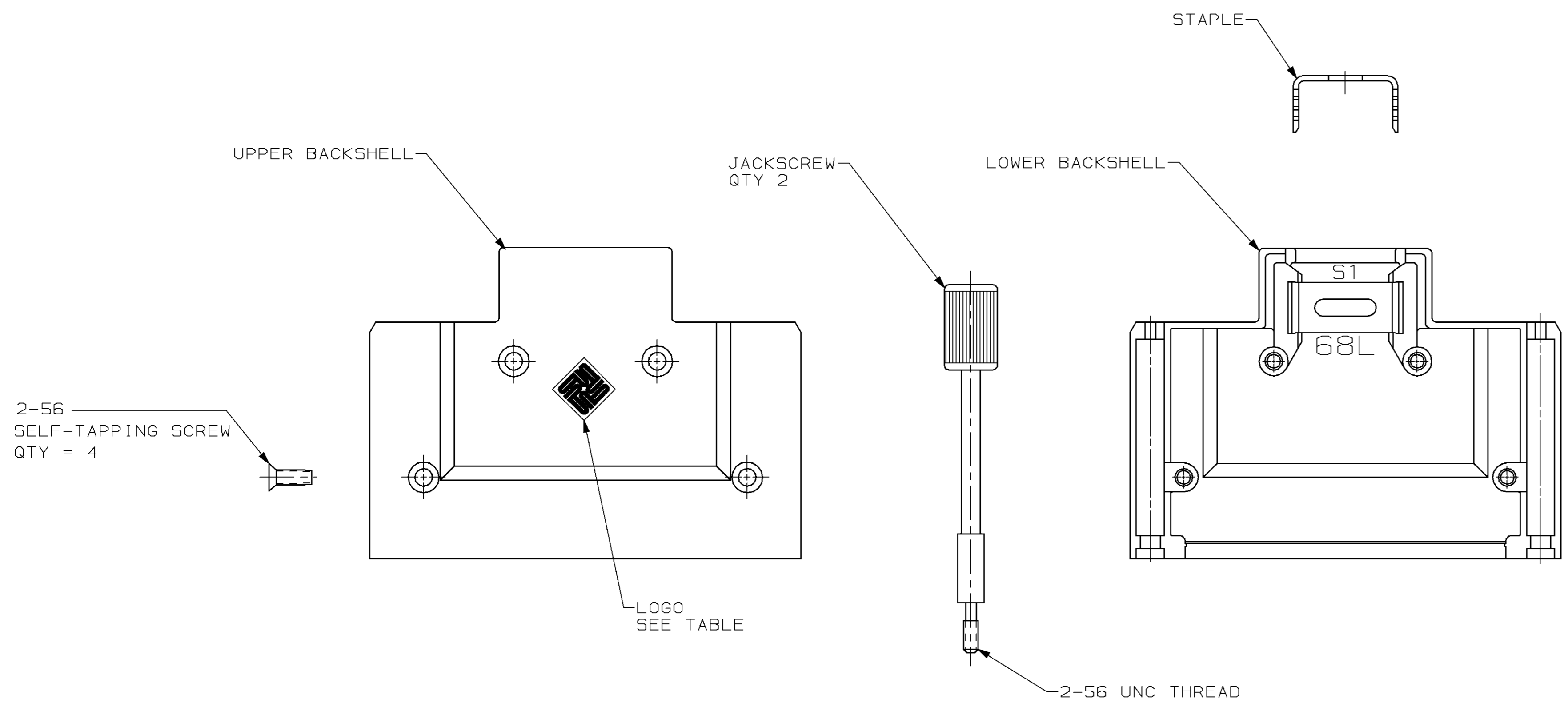


LOC	DIST	P	F	ZONE	LTR	DESCRIPTION	DATE	APPD
BD	95					REVISIONS		
						0 RLSE PER NPR 3946 WAS 92-4621-3	2-5-92	-
						A ADDED -2 PER NPR 4249	06/24/92	RB
						B REV PER EC 0020-1247-93	12/10/93	RM
						C ADDED -3 NPR 5051, WAS 93-4621-8-1	02/08/94	RM
						D OBS -1 PER EC 0020-515-95	08 SEP 95	CB
						E OBSOLETE -2		
						PER EC 0020-481-96	11 FEB 97	CB



- ① ZINC PER ASTM B86.
- ② STAINLESS STEEL & PVC, BEIGE.
- ③ CARBON STEEL PER ASTM A109.
- ④ STAINLESS STEEL.
- ⑤ 1.27µm [0.000050] MIN TIN-LEAD OVER 1.27µm [0.000050] MIN NICKEL.
- ⑥ NEXTEL, BEIGE.
- ⑦ STAINLESS STEEL & PVC, BLACK.

NO	①	-	786152-3
OBSOLETE YES	②	-	786152-2
OBSOLETE YES	③	⑥	786152-1
LOGO	JACKSCREW	FINISH	PART NO

DO NOT SCALE PRINT. UNLESS SPECIFIED DIMENSIONS IN mm [INCHES] TOLERANCES ON:
 2 PLC DEC ± 0.51 [0.020]
 3 PLC DEC ± -
 ANGLES ± -

DR 2-5-92 H MOLL
 CHK 2-11-92 R STONE
 APPD 2-11-92 R BYERS
 APPD 2-11-92 J ASSINI

MATERIAL
 STAPLE: ③ SCREW: ④
 BACKSHELLS: ①
 JACKSCREW: SEE TABLE
 FINISH STAPLE: ⑤

AMP Incorporated
 Harrisburg, PA 17105-3608

NAME
 BACKSHELL KIT, UNASSEMBLED,
 68 POSN, .050 SERIES AMPLIMITE™

PRODUCT SPEC -
 APPLICATION SPEC -
 WEIGHT -

SIZE D CAGE CODE 00779 DRAWING NO 786152
 SCALE 2:1 SHEET 1 OF 1