

07525GA (BG0702)

Φ75X25^L

DC Blower Fan



General Specifications

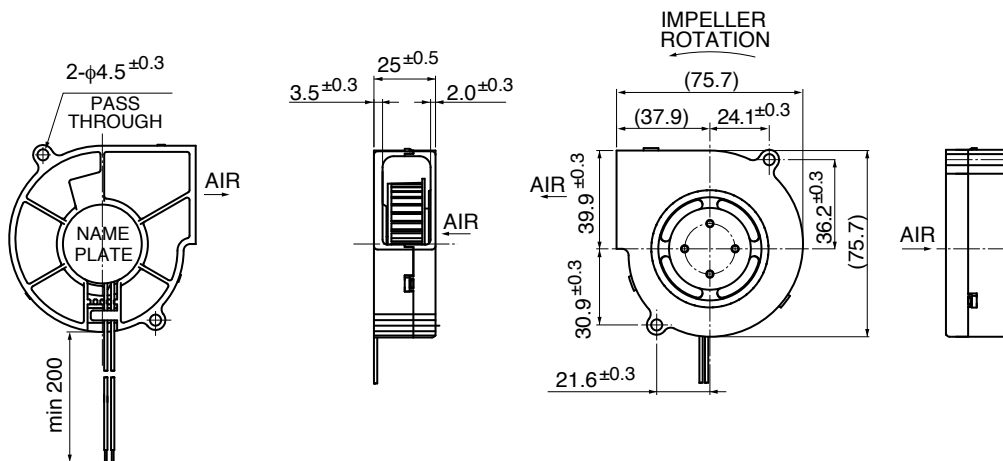
- Motor Protection : Auto Restart / Polarity Protection
- Insulation Resistance : 10MΩ or over with a DC500V Megger
- Dielectric Withstand Voltage : AC700V 1s
- Allowable Ambient : - 10°C ~ + 70°C (Operating)
- Temperature Range : - 40°C ~ + 70°C (Storage)
- non-condensing environment

Expected Life

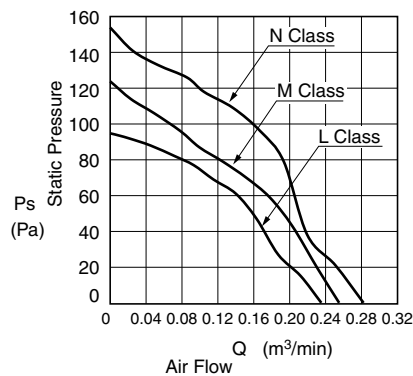
※ Failure Rate: 10% (L10 Life)

25°C 70,000 (Hours)

Outline



Characteristic Curves



Material

- Casing : Plastic (Black) UL94V-0
- Impeller : Plastic (Black) UL94V-0
- Bearing : Ball Bearing
- Lead Wire : UL1007 AWG26 + : Red, - : Black

Specifications

Model	Product No.	Rating Voltage (V)	Operating Voltage (V)	Current (A)*1	Input Power (W)*1	Speed (min ⁻¹)*1	Max. Air Flow (m ³ /min)*1	(CFM)*1	Max. Static Pressure (Pa)*1	(In H ₂ O)*1	Noise (dB)*1	Mass (g)
07525GA-12L-AA-	00	12	6 ~ 13.8	0.16	1.92	3000	0.22	7.8	94	0.38	39	90
07525GA-12M-AA-	00			0.19	2.28	3300	0.24	8.5	124	0.50	41	
07525GA-12N-AA-	00			0.25	3.00	3600	0.27	9.5	153	0.61	43	
07525GA-24L-AA-	00	24	10 ~ 27.6	0.10	2.40	3000	0.22	7.8	94	0.38	39	
07525GA-24M-AA-	00			0.11	2.64	3300	0.24	8.5	124	0.50	41	
07525GA-24N-AA-	00			0.14	3.36	3600	0.27	9.5	153	0.61	43	

Rotation: Clockwise as seen from the label side

*1: Average Values in Free Air