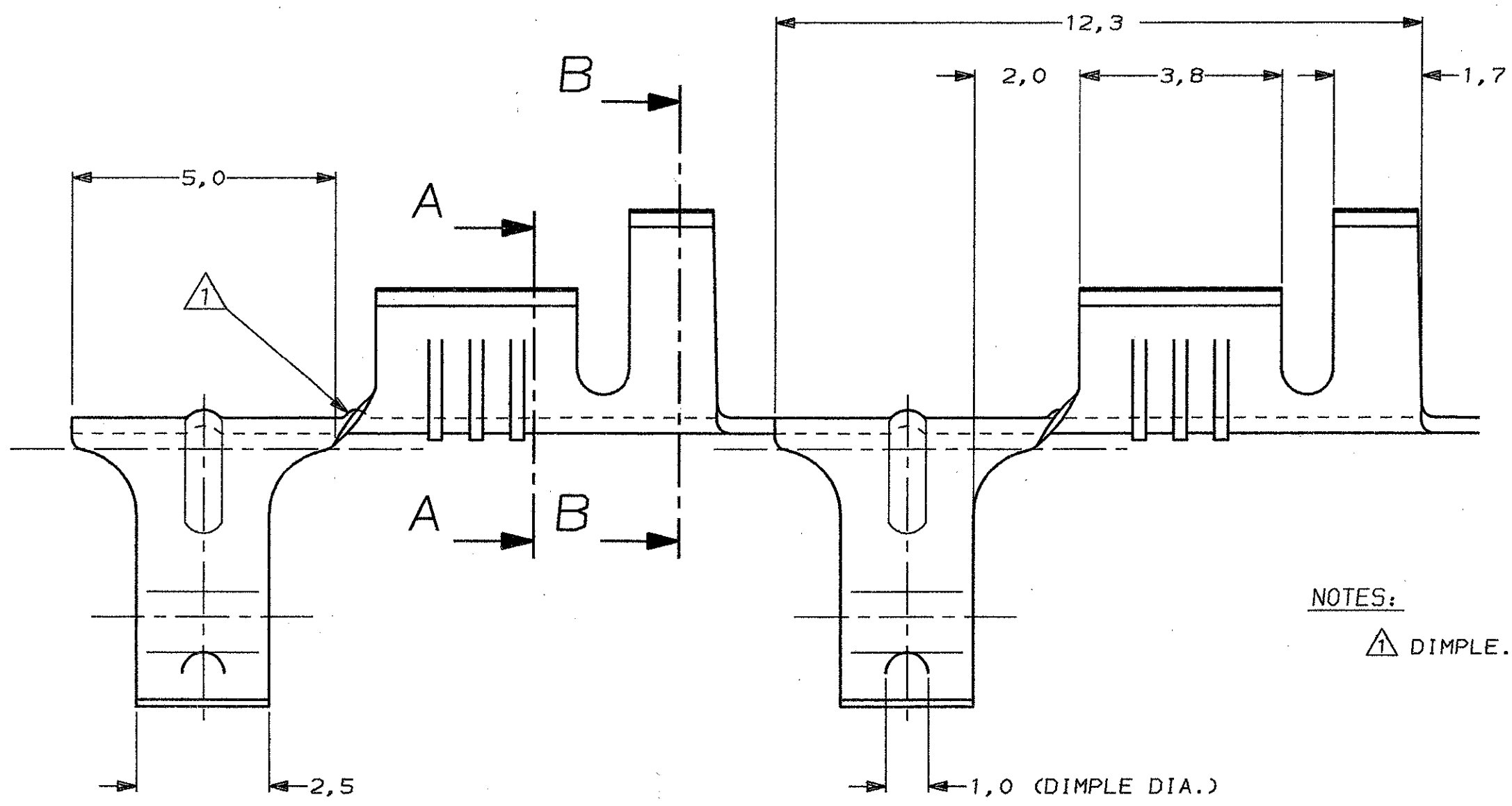
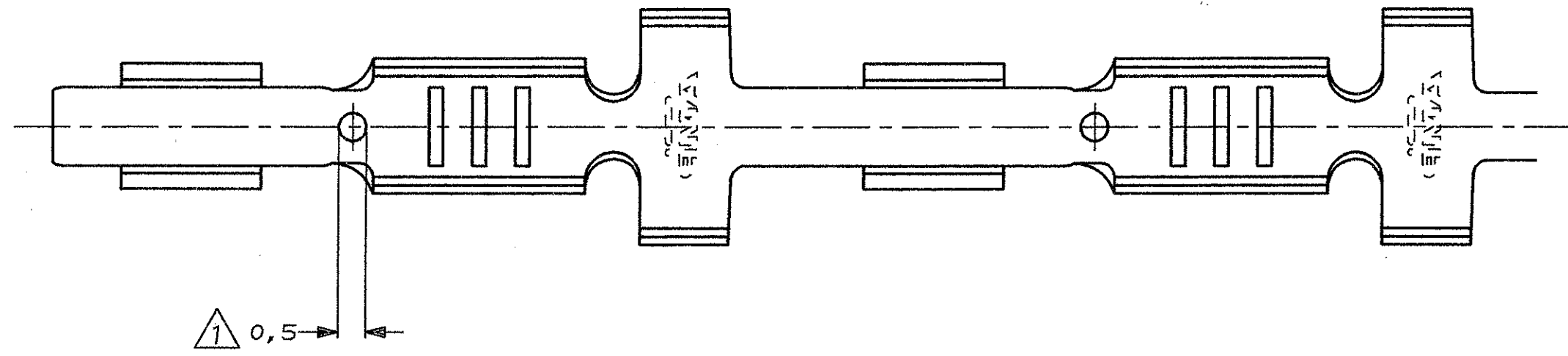
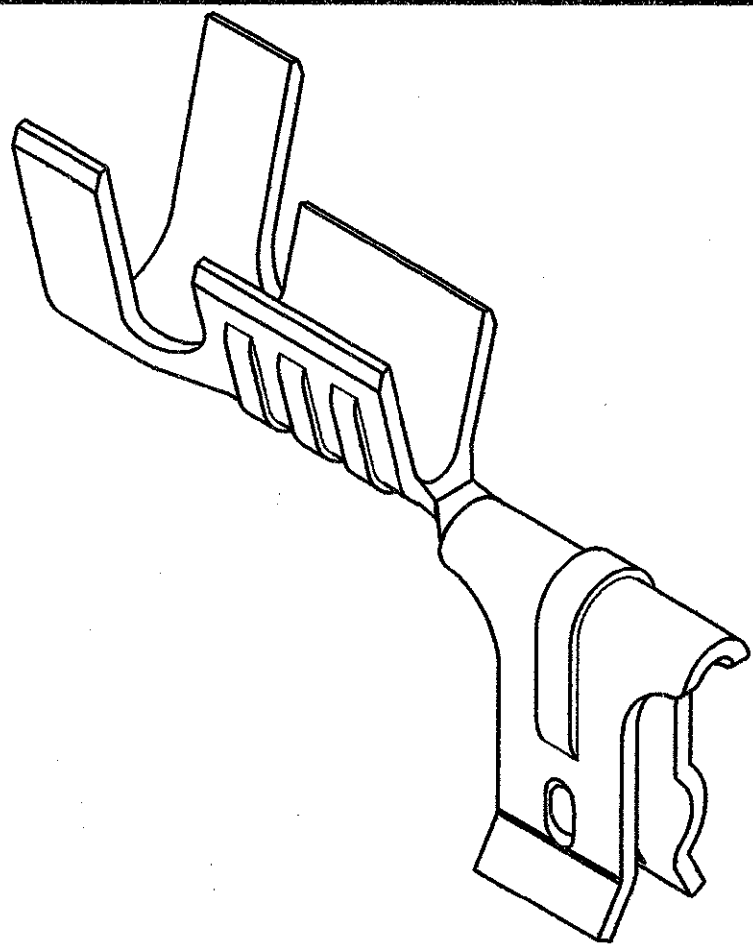


DO NOT SCALE
DIMENSIONS IN mm

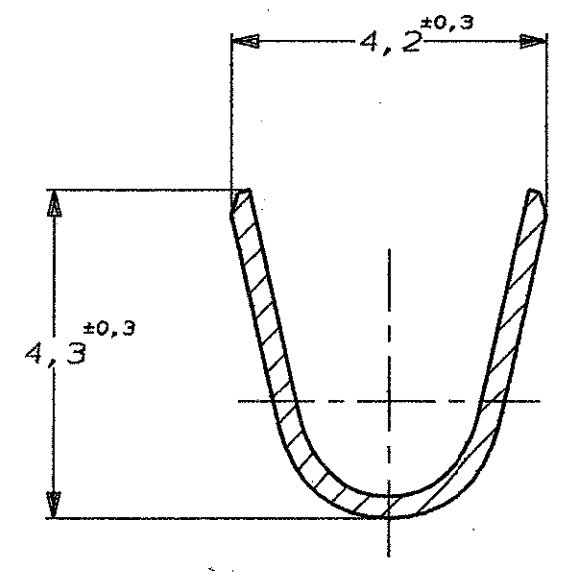
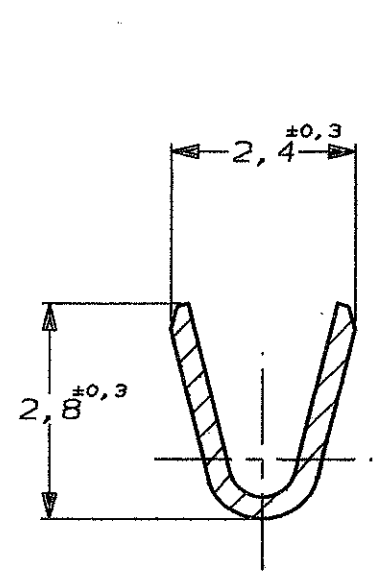
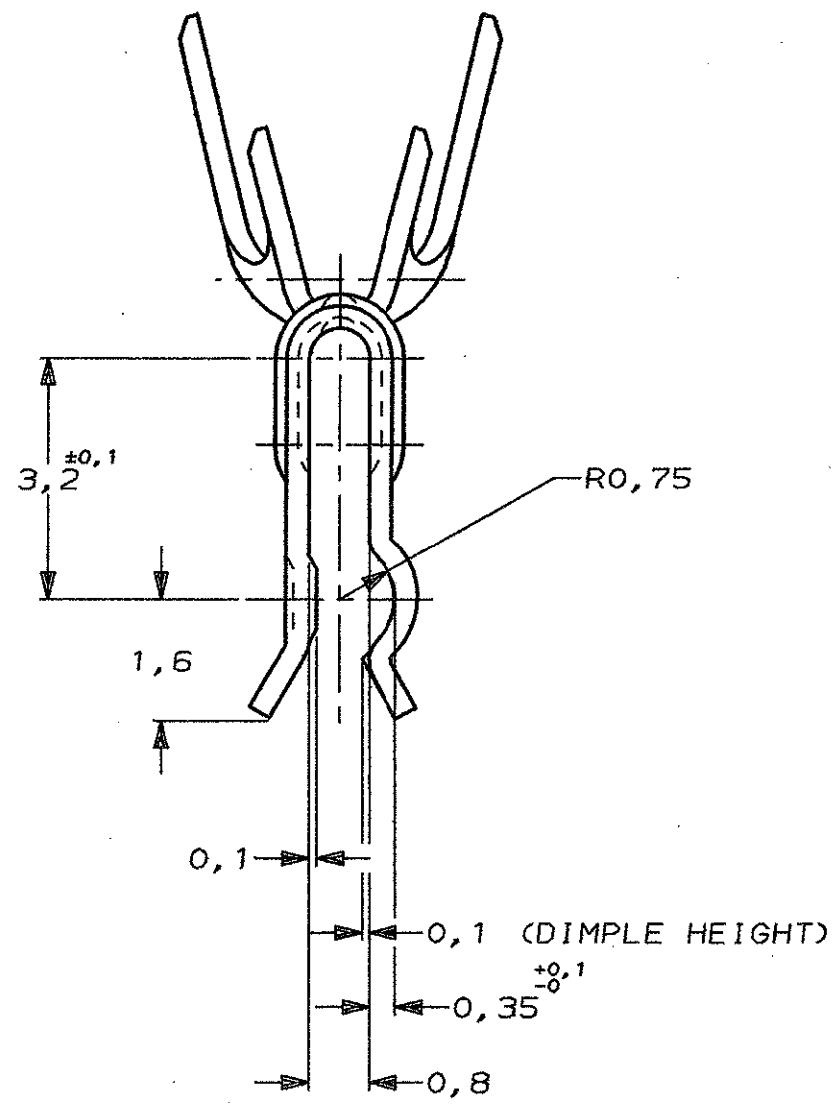
METRIC

THIRD ANGLE
PROJECTION



NOTES:

△ DIMPLE.



SECTION A-A

SECTION B-B

WIRE RANGE :
0,5-0,8mm²
INSULATION RANGE :
2,3-3,3mm DIA.

		PLAIN FINISH	NEW SILVER MATERIAL	188223-1 PARTNUMBER	
CUSTOMER DRAWING FOR REFERENCE ONLY WILL NOT BE UPDATED					
© COPYRIGHT 19- BY AMP HOLLAND B.V. ALL INTERNATIONAL RIGHTS RESERVED. AMP PRODUCTS MAY BE COVERED BY U.S. AND FOREIGN AND/OR PATENTS PENDING.					
THIS DRAWING IS UNPUBLISHED AND/OR PATENTS PENDING. RELEASED FOR PUBLICATION					
		AMP			
		AMP HOLLAND B.V. 's-Hertogenbosch, The Netherlands.			
		NAME			
A	EH-0321-94	DK	HS	10-09-94	
LTR. REVISION RECORD		DR.	CHK.	DATE	
DR.:	D.KESSLER	CHK.:	H.v.d.STEEN	APP.:	L.v.SOEST
DATE:	10-09-94	DATE:	-	DATE:	-
		DWG. No. C-188223		REV. LTR. A	SHEET 1 OF 1