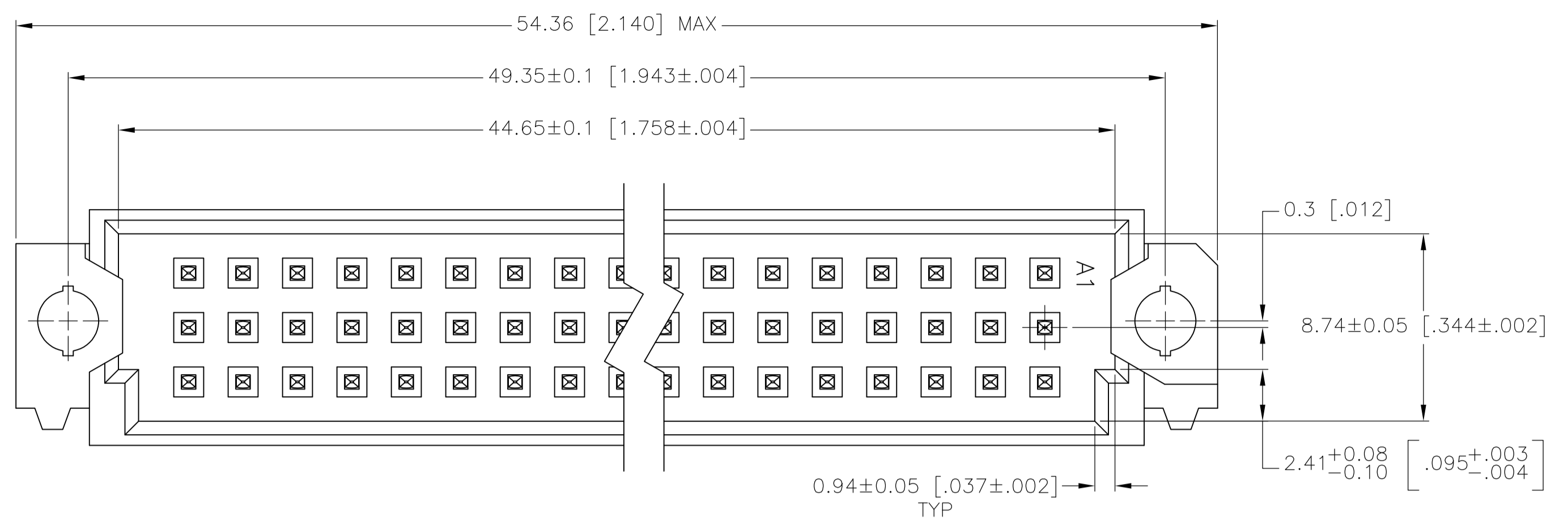
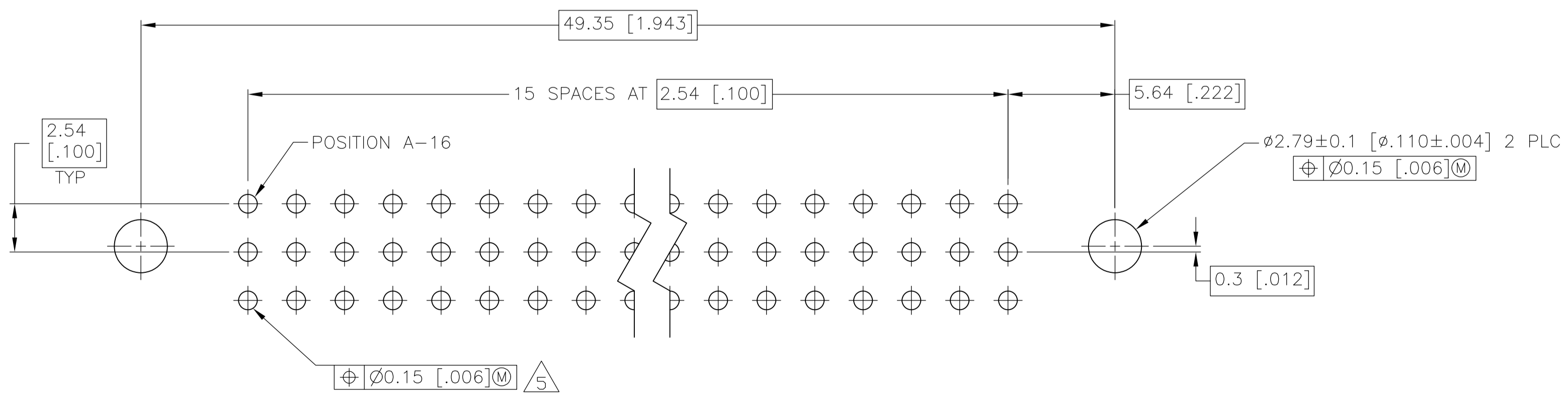
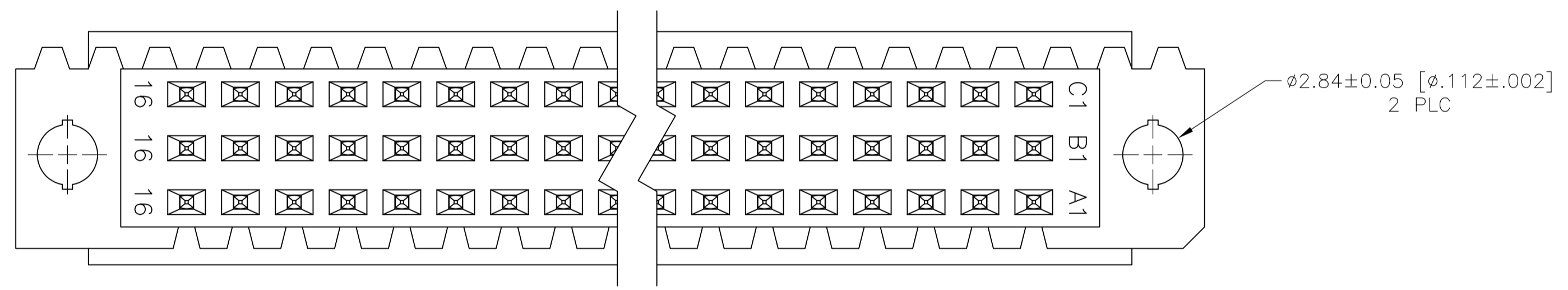
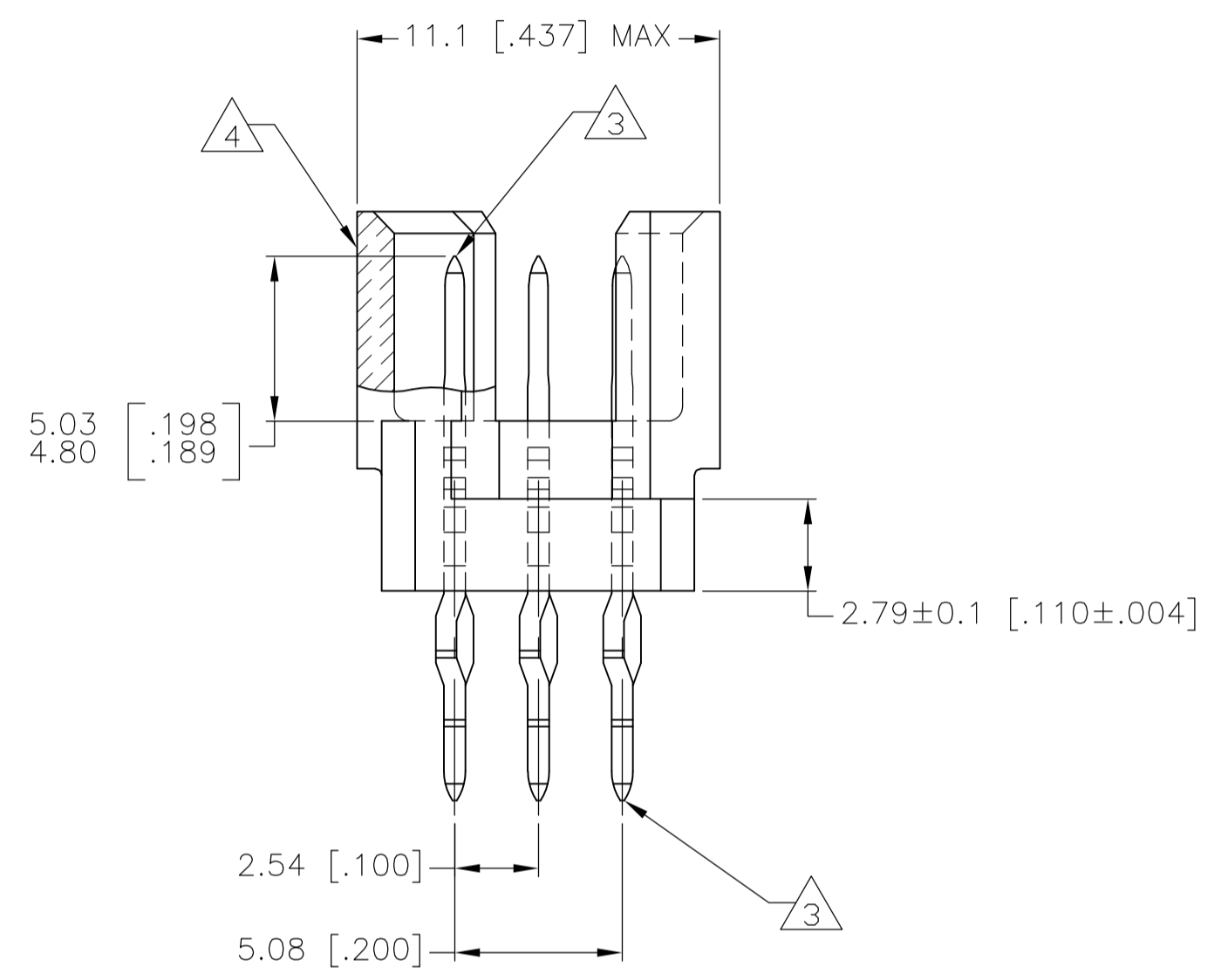
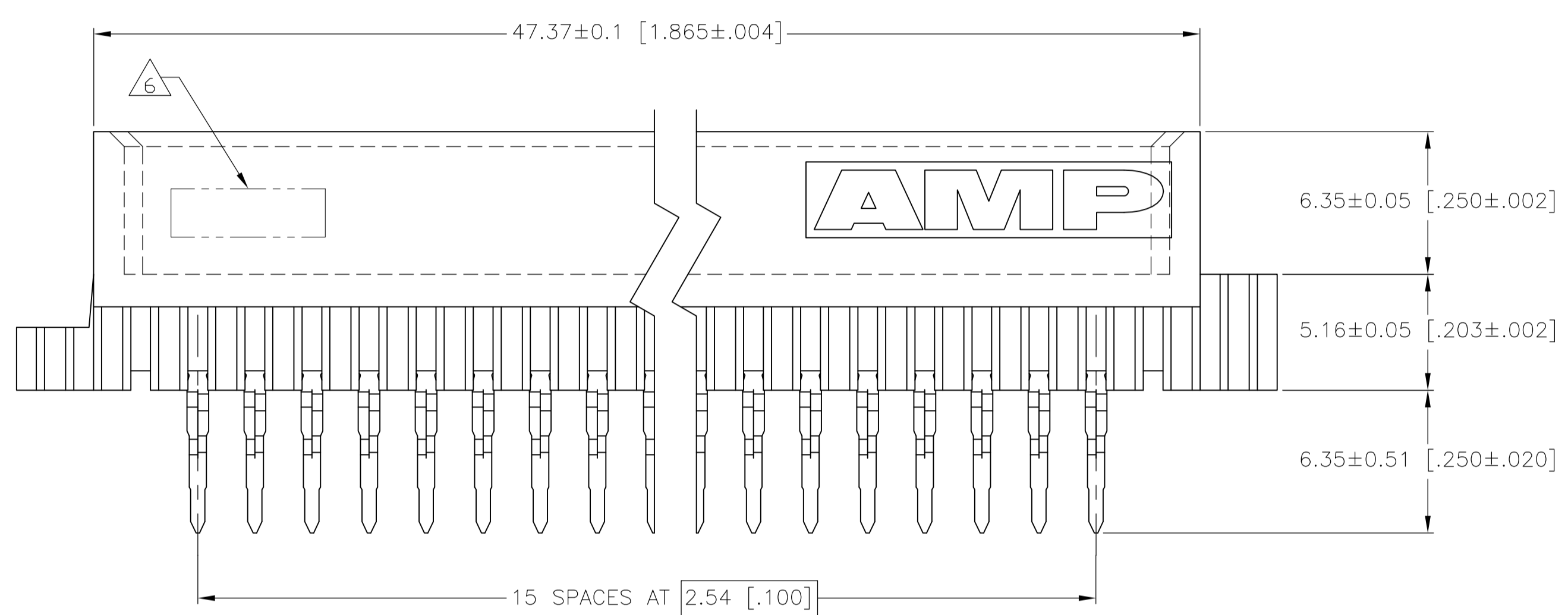


LOC		DIST		REVISIONS				
AD	00	P	LTR	DESCRIPTION	DATE	DN	APVD	
		01		REVISED PER ECO-07-012819	28JUN07	DH	DB	



- 1 HOUSING MATERIAL: GLASS-FILLED POLYMER.
- 2 POST MATERIAL: COPPER ALLOY.
- 3 POST FINISH: DIN 41612 CLASS 2 IN CONTACT AREA. TIN PLATE ON POSTS.
- 4 MARKING ON THIS SIDE.
- 5 ACTION PIN POSTS REQUIRE 2.36 [.093] MIN THICK PC BOARD. RECOMMENDED PC BOARD HOLES ARE ϕ 1.151 [.0453] PLATED THROUGH WITH 0.02-0.08 [.001-.003] COPPER AND 0.008 [.0003] MIN TIN-LEAD PLATING. FINISHED HOLE AFTER PLATING, ϕ 0.94-1.09 [.037-.043].
- 6 PART NUMBER, DATE CODE MARKED THIS APPROXIMATE AREA.



PC BOARD LAYOUT

1-16	X	X	X	48	5650918-5
POSITIONS LOADED	C	B	A	NO OF LOADED POSITIONS	ASSY PART NUMBER
	ROWS LOADED				

THIS DRAWING IS A CONTROLLED DOCUMENT.		DIN J. POLIGNONE DSMAYOS		Tyco Electronics Corporation Harrisburg, Pa 17105-3608																													
DIMENSIONS: mm [INCHES]		TOLERANCES UNLESS OTHERWISE SPECIFIED:		APVD A. SHARPE DSMAYOS NAME ASSEMBLY, PIN, EUROCARD, TYPE 1/2R, 48 POSITION, 6.35[.250] PRESS-FIT POSTS																													
<table border="1"> <tr><td>0 PLC</td><td>± -</td></tr> <tr><td>1 PLC</td><td>± -</td></tr> <tr><td>2 PLC</td><td>± 0.13 [.005]</td></tr> <tr><td>3 PLC</td><td>± -</td></tr> <tr><td>4 PLC</td><td>± -</td></tr> <tr><td>ANGLES</td><td>± -</td></tr> </table>		0 PLC	± -	1 PLC	± -	2 PLC	± 0.13 [.005]	3 PLC	± -	4 PLC	± -	ANGLES	± -	<table border="1"> <tr><td>SIZE</td><td>CAGE CODE</td><td>DRAWING NO</td><td>RESTRICTED TO</td></tr> <tr><td>A1</td><td>00779</td><td>C=5650918</td><td>-</td></tr> </table>		SIZE	CAGE CODE	DRAWING NO	RESTRICTED TO	A1	00779	C=5650918	-	<table border="1"> <tr><td>SCALE</td><td>SHEET</td><td>OF</td><td>REV</td></tr> <tr><td>5:1</td><td>1</td><td>1</td><td>01</td></tr> </table>		SCALE	SHEET	OF	REV	5:1	1	1	01
0 PLC	± -																																
1 PLC	± -																																
2 PLC	± 0.13 [.005]																																
3 PLC	± -																																
4 PLC	± -																																
ANGLES	± -																																
SIZE	CAGE CODE	DRAWING NO	RESTRICTED TO																														
A1	00779	C=5650918	-																														
SCALE	SHEET	OF	REV																														
5:1	1	1	01																														
MATERIAL 1 2		FINISH 3		CUSTOMER DRAWING																													