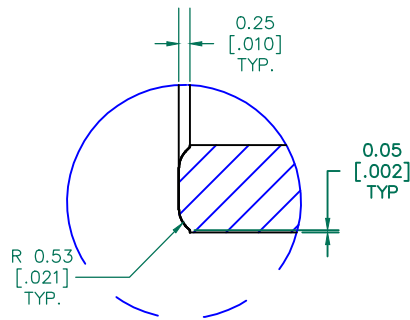


SEE DETAIL "A"



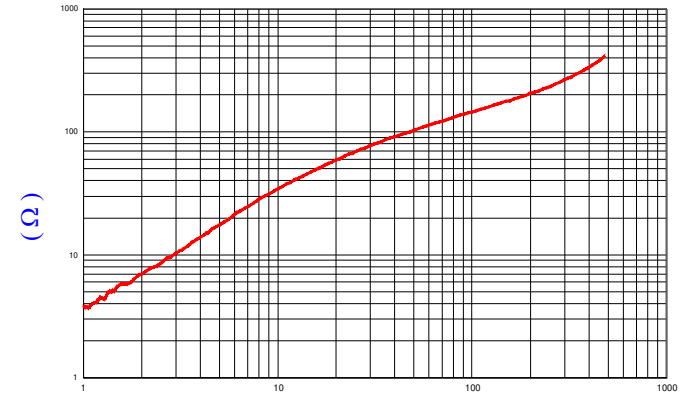
DETAIL "A"
CHAMFER
SCALE=6:1

NOTES: UNLESS OTHERWISE SPECIFIED

1. COSMETIC SPECIFICATION REFER TO WI-QA-038.

| IMPEDANCE (Z) | | | |
|-----------------|--------|---------|---------|
| Frequency | 25 MHz | 100 MHz | 300 MHz |
| Nominal (REF) | 69 Ω | 153 Ω | 260 Ω |
| Minimum | - Ω | 116 Ω | - Ω |

Z vs. FREQUENCY
(REF. ONLY)

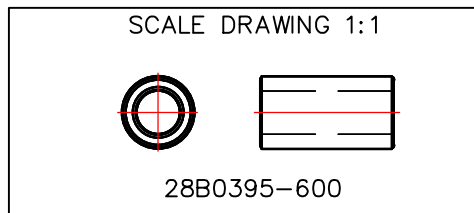


FREQUENCY (MHz)
AGILENT E4991A Impedance/Material Analyzer
HP 16092A Test Fixture, REF# 5900

FERRITE CORE DIMENSIONS (SPEC):mm [Inches]

| | | | |
|---|--------------|---|-------------|
| A | 10.01 [.394] | ± | 0.40 [.016] |
| B | 5.97 [.235] | ± | 0.30 [.012] |
| C | 20.00 [.787] | ± | 0.50 [.020] |

WEIGHT/1000 4.34 kgs [9.57 Lbs]



| CUSTOMER P/N | | REV. | | This print is the property of Laird Tech. and is loaned in confidence subject to return upon request and with the understanding that no copies shall be made without the written consent of Laird Tech. All rights to design or invention are reserved. | | | | | |
|-------------------------------|-------------|-------------|-----|---|--|--------|--------------|-----------|--|
| N/A | | | | | | | | | |
| DIMENSIONS ARE IN mm[INCHES]. | | | | PROJECT/PART NUMBER: | | REV | PART TYPE: | DRAWN BY: | |
| | | | | 28B0395-600 | | A | FERRITE CORE | Jcai | |
| DATE: | | 09/16/2019 | | SCALE: | | 3:1 | | MATERIAL: | |
| A | | NEW RELEASE | | 09/16/2019 | | Jcai | | Ferrite | |
| REV | DESCRIPTION | DATE | INT | CAD # | | TOOL # | | | |
| | | | | 28B0395-600-A | | B0395 | | | |