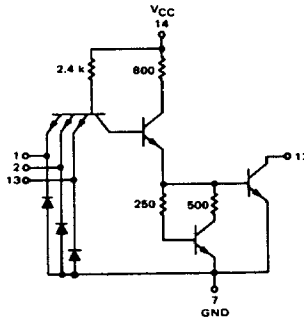


TRIPLE 3-INPUT "NAND" GATE
(Open Collector)

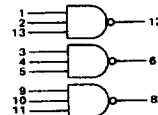
MTTL III MC3100/3000 series

MC3107F • MC3007F
MC3107L • MC3007L,P

1/3 OF CIRCUIT SHOWN



This device consists of three 3-input NAND gates with no output pull-up circuits. It can be used where the Wired-OR function is required or for driving discrete components.

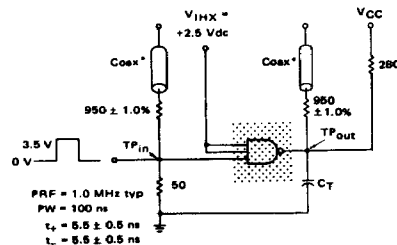


Positive Logic: $12 = \overline{1 \cdot 2 \cdot 13}$
Negative Logic: $12 = \overline{1} \cdot \overline{2} \cdot \overline{13}$

Input Loading Factor = 1
Output Loading Factor = 10

Total Power Dissipation = 66 mW typ/pkg
Propagation Delay Time = 8.0 ns typ

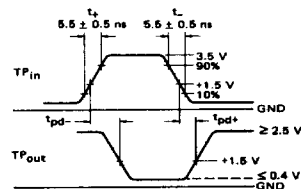
SWITCHING TIME TEST CIRCUIT



*The coax delays from input to scope and output to scope must be matched. The scope must be terminated in 50-ohm impedance. The 950-ohm resistor and the scope termination impedance constitute a 20:1 attenuator probe. Coax shall be CT-070-50 or equivalent.

$C_T = 25$ pF = total parasitic capacitance, which includes probe, wiring, and load capacitances.

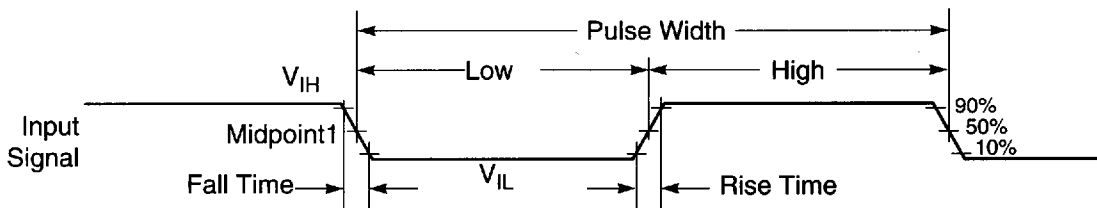
VOLTAGE WAVEFORMS AND DEFINITIONS



See General Information section for packaging.

AC ELECTRICAL CHARACTERISTICS

The timing waveforms in the AC Electrical Characteristics are tested with a V_{IL} maximum of 0.5 V and a V_{IH} minimum of 2.4 V for all pins, except EXTAL, RESET, MODA, MODB, and MODC. These pins are tested using the input levels set forth in the DC Electrical Characteristics. AC timing specifications that are referenced to a device input signal are measured in production with respect to the 50% point of the respective input signal's transition. DSP56002 output levels are measured with the production test machine V_{OL} and V_{OH} reference levels set at 0.8 V and 2.0 V, respectively.



Note: The midpoint is $V_{IL} + (V_{IH} - V_{IL})/2$.

AA0179

Figure 2-1 Signal Measurement Reference