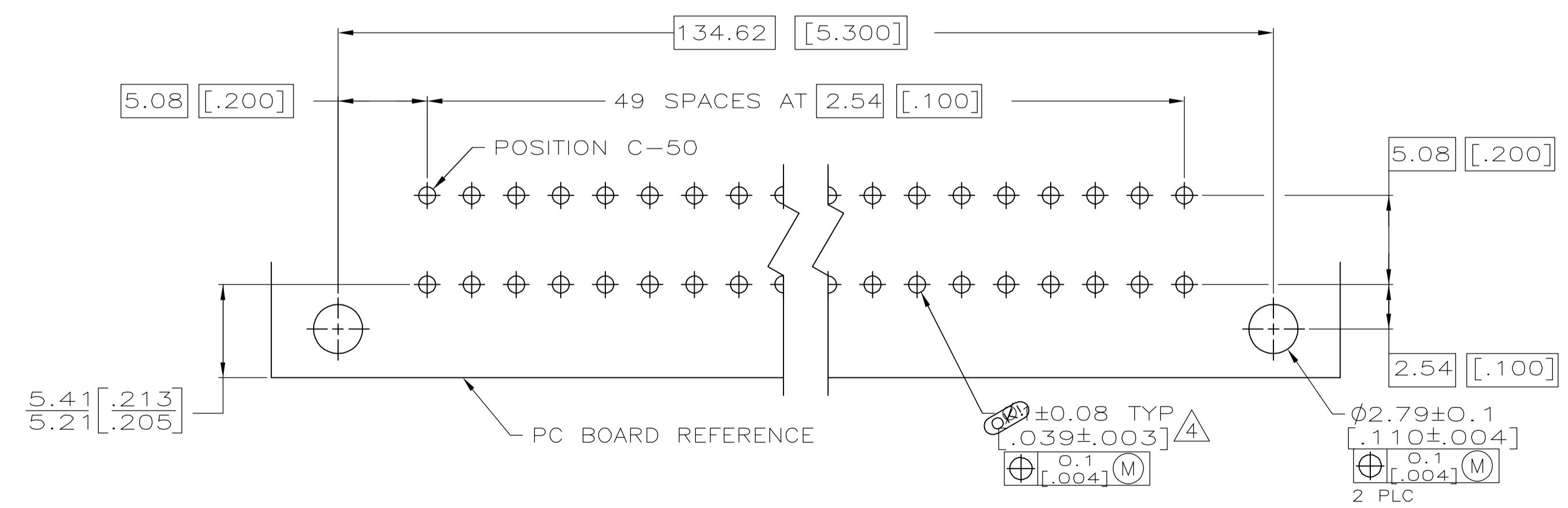
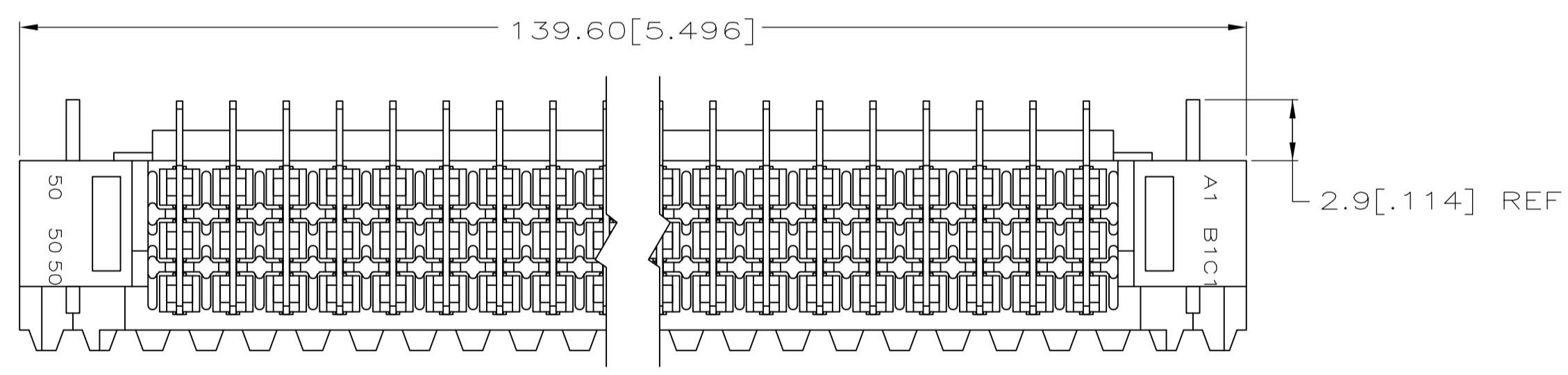
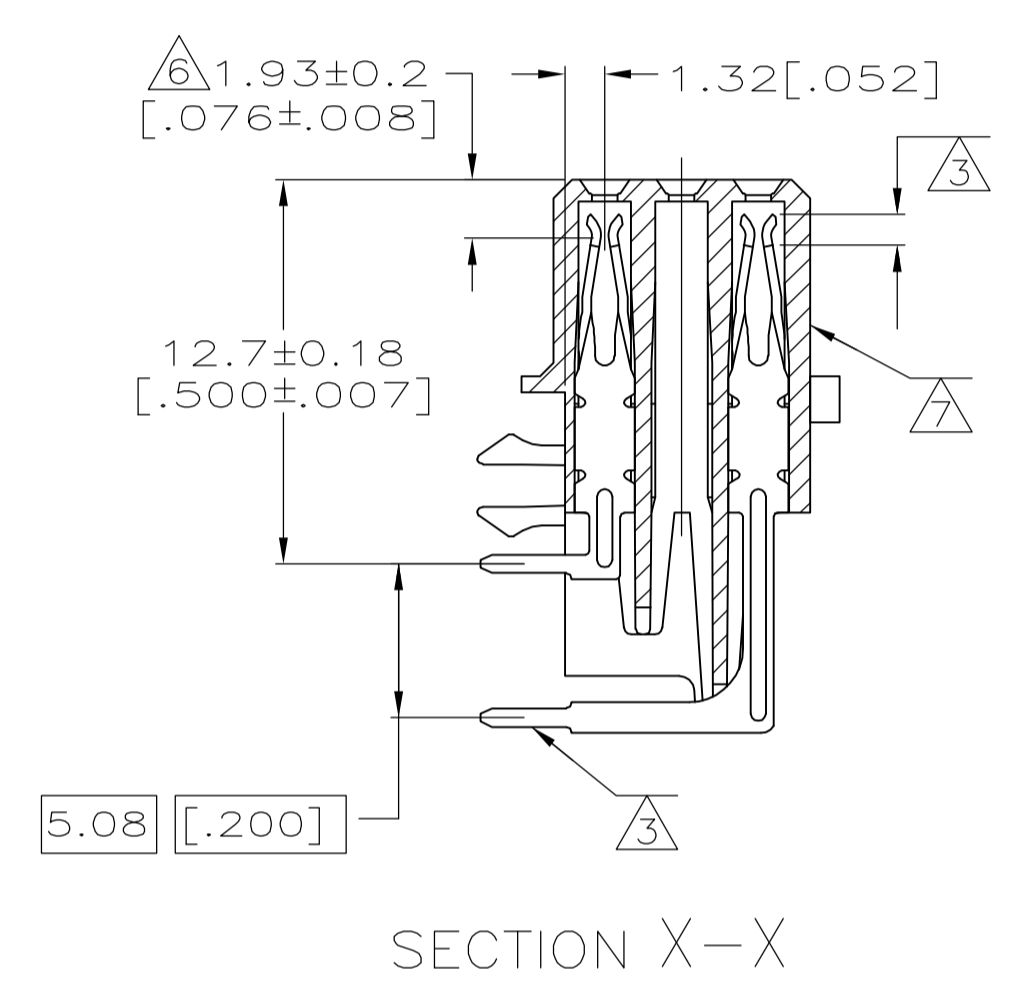
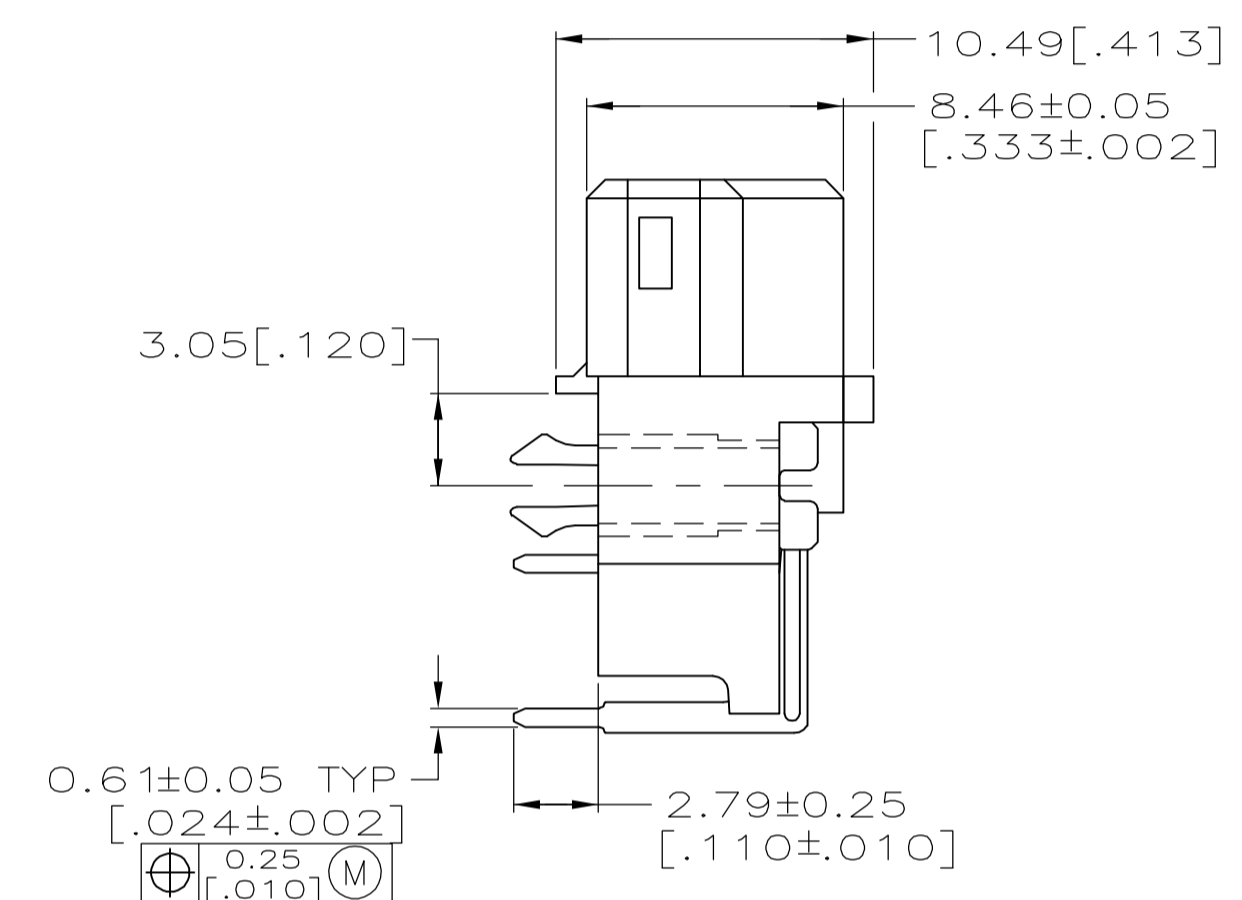
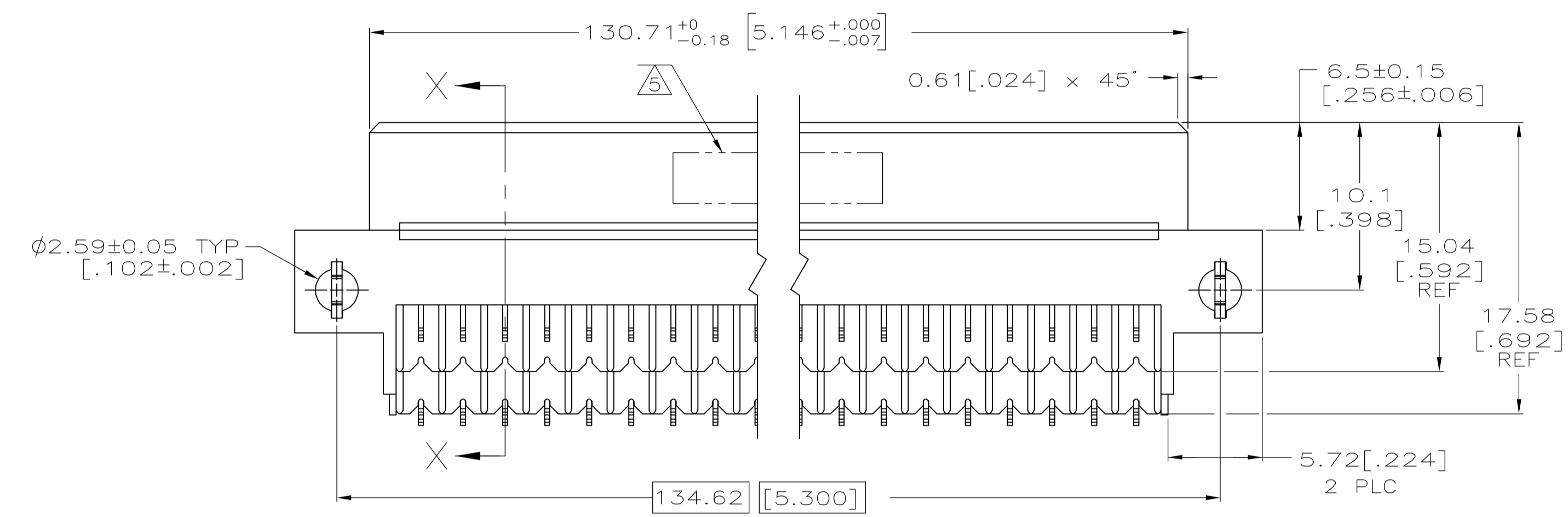


- ① HOUSING MATERIAL: GLASS-FILLED POLYMER.
- ② CONTACT MATERIAL: COPPER ALLOY.
- ③ CONTACT FINISH: DIN 41612 CLASS 2 ON CONTACT AREA. TIN PLATE ON POSTS.
- ④ RECOMMENDED HOLE SIZE FOR MANUAL APPLICATION OF CONNECTOR ONTO PC BOARD.
- ⑤ PART NUMBER, DATE CODE IDENTIFICATION, CSA LOGO THIS APPROXIMATE AREA.
- ⑥ CONTACT POINT.
- ⑦ MARKING ON THIS SIDE.



PC BOARD LAYOUT  
 RECOMMENDED PC BOARD THICKNESS 1.57[.062]

1 THRU 50	X	-	X	100	5536016-5
POSITIONS LOADED	C	B	A	NO. OF LOADED POSITIONS	ASSY PART NUMBER

THIS DRAWING IS A CONTROLLED DOCUMENT.		DWN J. POLIGNONE	03JUN05	Tyco Electronics Corporation Harrisburg, PA 17105-3608
DIMENSIONS: mm [INCHES]		CHK A. SHARPE	03JUN05	
TOLERANCES UNLESS OTHERWISE SPECIFIED:		APVD A. SHARPE	03JUN05	NAME ASSEMBLY, RECEPTACLE, EUROCARD, TYPE R, A&C 100/150 POSITION, SOLDER POSTS WITH BOARD-LOCKS
0 PLC ± -	1 PLC ± -	APPLICATION SPEC 2.79[.110]		SIZE CAGE CODE DRAWING NO. A1 00779 C=5536016
2 PLC ± 0.13[.005]	3 PLC ± -	WEIGHT -		RESTRICTED TO -
4 PLC ± -	ANGLES ± -	MATERIAL ① ②		CUSTOMER DRAWING
FINISH ③		SCALE 4:1		SHEET 1 OF 1
		REV 0		