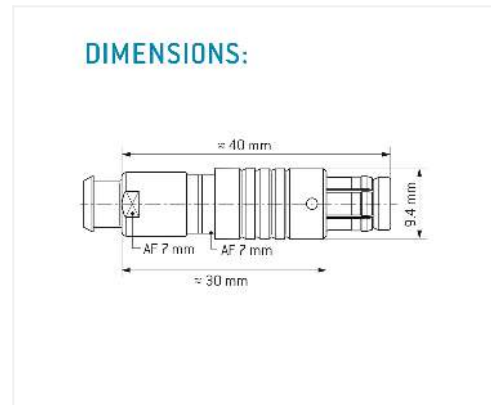
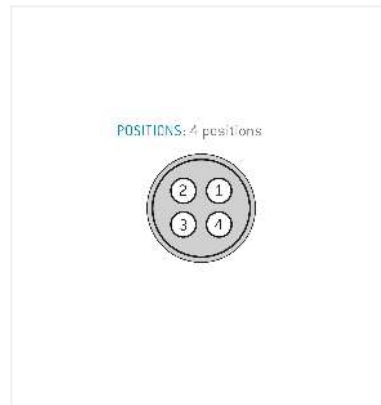


General information

Part number	S40F1C-P04MFG0-200S
Termination	solder
Size	0
Locking principle	push
Coding	1_halfshell
Cable Diameter	cable_mini_20
Cable outlet	bend_relief



Contact insert description

Number of contacts	4
Contact type	pins
Contact diameter	0.7mm
Insulator material	peek
Wire cross section	22_awg
Termination	solder
Termination diameter	0.85mm

reverse_gender_on_request

Technical information

Max. creepage and air clearance distance	0.6 mm	0.7 mm
Nominal current single contact	0.75 A	iec_60512_5_2
Nominal current insert	7.5 A	vde_0298_4
Test voltage	0.9 kv_ac	sae_13441

safety_text

Mechanical and environmental data

Degree of protection*	ip68
Operating temperature	40_120_c
Mating cycles	5000

mated

Material and surface treatments

Housing	m_chrome
Contact	cu_alloy_gold

safety_text_2
ul_text
illustrative_text