

6

5

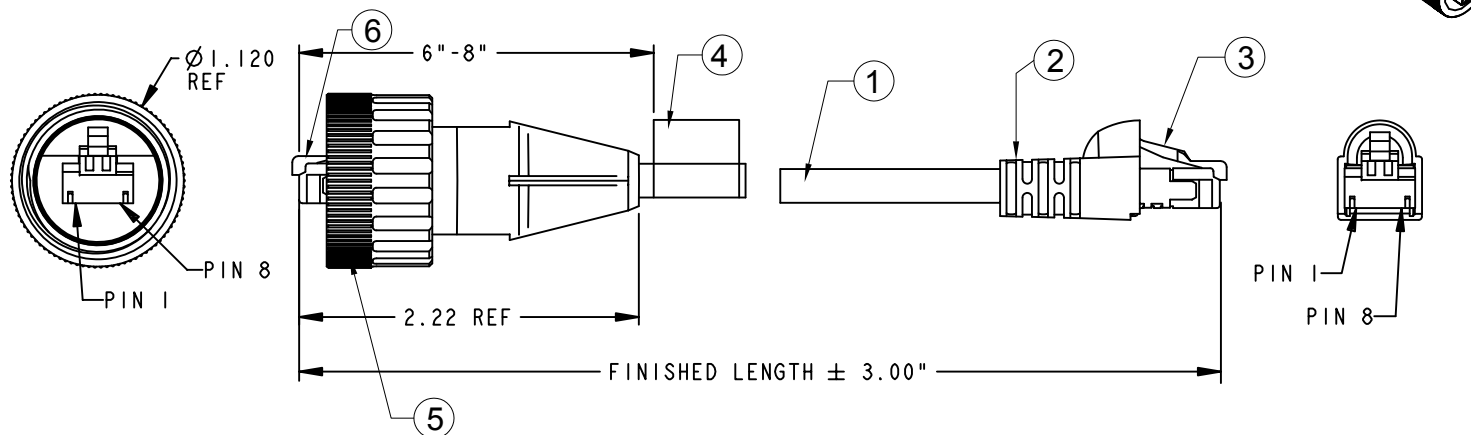
4

3

2

1

PART NUMBER	ENGINEERING NO.	LENGTH ± TOLERANCE
1300500429	ENS3135M010	3' 3" +2.19"/-0" [1M +55.6/-0 mm]



NOTES:

- 1) MATERIAL: SEE TABLE
- 2) FINISHES: SEE TABLE
- 3) CABLE: #24/8 SHIELDED TWISTED PAIR, PUR
- 4) ELECTRICAL DATA:
ACCORDING TO CAT5e ETHERNET STANDARD
MAX. VOLTAGE: 30V
MAX. CURRENT 1.5A
- 5) ENVIRONMENTAL:
PROTECTION IP67
TEMPERATURE RANGE: -20°C TO +80°C
- 6) WRAP LABEL IS MARKED WITH P/N & DATE CODE.
- 7) ASSEMBLY IS RoHS COMPLIANT.

WIRE LIST

PIN #	COLOR
1	WHITE/ORANGE
2	ORANGE
3	WHITE/GREEN
4	BLUE
5	WHITE/BLUE
6	GREEN
7	WHITE/BROWN
8	BROWN
GND	DRAIN WIRE

ITEM	QTY.	DESCRIPTION	MATERIAL	FINISH
6	1	RJ45 PLUG	POLYCARBONATE	CLEAR
5	1	COUPLING NUT	ABS	BLACK
4	1	LABEL	PLASTIC FILM	BLACK/YELLOW
3	1	RJ45 PLUG	POLYCARBONATE	CLEAR
2	1	BOOT	PVC	BLACK
1	1	ETHERNET CABLE-CAT5E	PUR JACKET	BLACK

RELEASE DRAWING	EC NO.: WNA2010-0442	DRWN: TVICKERS 2010/01/18	CHKD: B.WOODMA	APPR: DTTITUS 2010/01/19
	DESCRIPTION			
	QUALITY SYMBOLS			
	$\nabla = 0$ $\nabla C = 0$			
A				

GENERAL TOLERANCES (UNLESS SPECIFIED)		
	mm	INCH
4 PLACES	±---	±---
3 PLACES	±---	±.005
2 PLACES	±0.13	±.010
1 PLACE	±0.25	±.020
ANGULAR ±1/2°		
DRAFT WHERE APPLICABLE MUST REMAIN WITHIN DIMENSIONS		

DIMENSION STYLE		SCALE	DESIGN UNITS	THIRD ANGLE PROJECTION
IN		1:1	INCH	
DRAWN BY	DATE	TITLE		
---	---	ETHERNET MMJ IND./RJ45 568-B SHIELD ASSEMBLY PUR STRANDED CABLE		
CHECKED BY	DATE	MOLEX INCORPORATED		
B.WOODMA	2010/01/18			
APPROVED BY	DATE	MATERIAL NO.	DOCUMENT NO.	SHEET NO.
DTITUS	2010/01/19		SD-130050-028	1 OF 1
SIZE	THIS DRAWING CONTAINS INFORMATION THAT IS PROPRIETARY TO MOLEX INCORPORATED AND SHOULD NOT BE USED WITHOUT WRITTEN PERMISSION			
A				

6

5

4

3

2

1