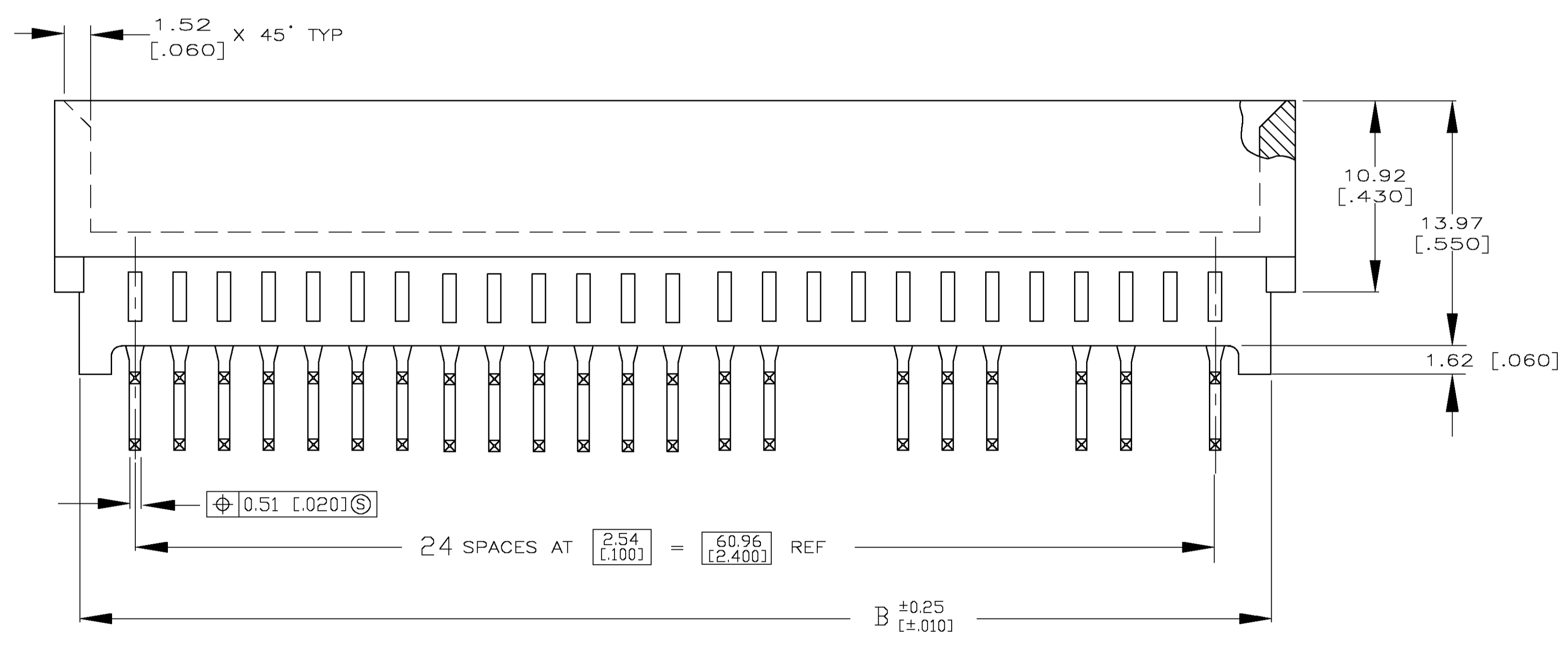
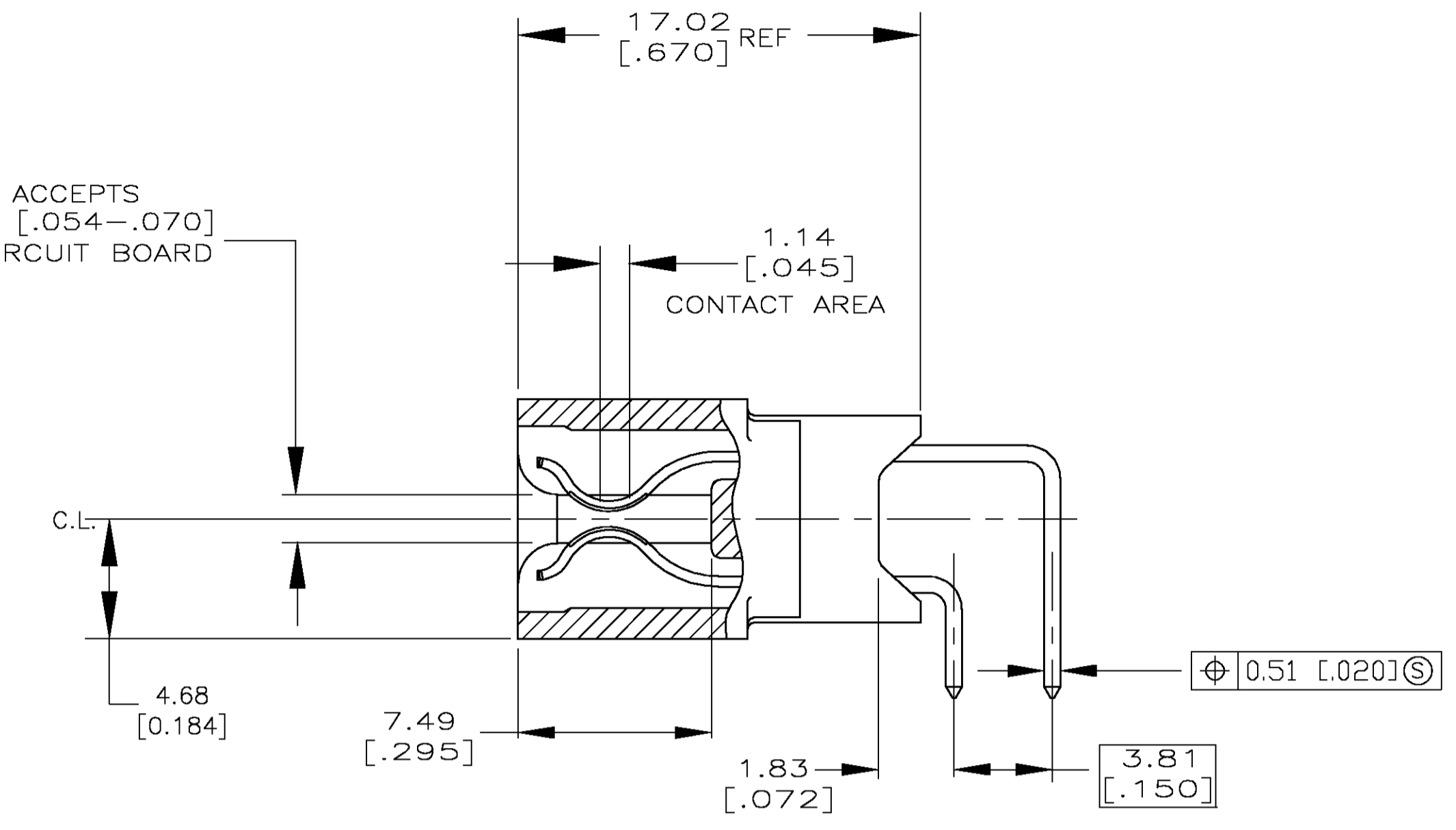


CARD SLOT ACCEPTS
 1.37-1.78 [.054-.070]
 PRINTED CIRCUIT BOARD



- ① HOUSING: GLASS FILLED POLYESTER; COLOR: BLACK.
- ② CONTACT: HIGH CONDUCTIVITY COPPER.
- ③ NICKEL UNDERPLATE: 0.00127 [.000050] MIN - ALL OVER.
- ④ TIN-LEAD PLATE: 0.00254 [.000100] MIN - SOLDER POSTS.
- ⑤ GOLD PLATE: 0.00038 [.000015] MIN - CONTACT AREA.
- ⑥ NICKEL PLATE PER MIL-G-45204.
- ⑦ AMP PART NUMBER AND DATE CODE ARE MARKED IN APPROXIMATE AREA SHOWN, TOP SIDE.
- ⑧ RECOMMENDED PCB FINISHED HOLE Ø1.07±0.08 [.042±.003].

| | | | |
|-----------------------|--------------|------------|-------------|
| 2,5,9,10, 27,30,34,35 | NONE | 25 | 1658963-1 |
| OMIT PINS | KEY LOCATION | NO OF POSN | PART NUMBER |

THIS DRAWING IS A CONTROLLED DOCUMENT.

| | | | |
|-------------|--|------------|-----------|
| DIMENSIONS: | TOLERANCES UNLESS OTHERWISE SPECIFIED: | APVD | DATE |
| MM (INCHES) | 0 PLC ± - | AL FRANTUM | 17 DEC 03 |
| | 1 PLC ± - | AL FRANTUM | 17 DEC 03 |
| | 2 PLC ± ± 0.13[.005] | | |
| | 3 PLC ± ± - | | |
| | 4 PLC ± ± - | | |
| | ANGLES ± ± 1° | | |

MATERIAL: ① ② ③ ④ ⑤

FINISH: ③ ④ ⑤

NAME: CONNECTOR ASSEMBLY, HIGH CURRENT/CARD EDGE, 2.54 [.100] CL x 3.81 [.150], RIGHT ANGLE

SIZE: A1

CAGE CODE: 00779

DRAWING NO: 1658963

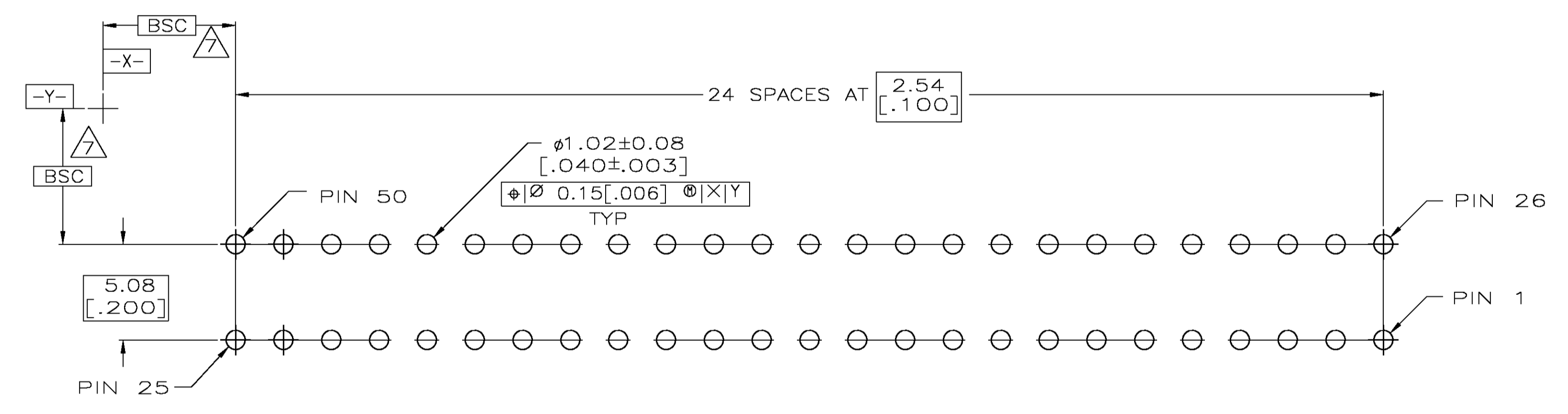
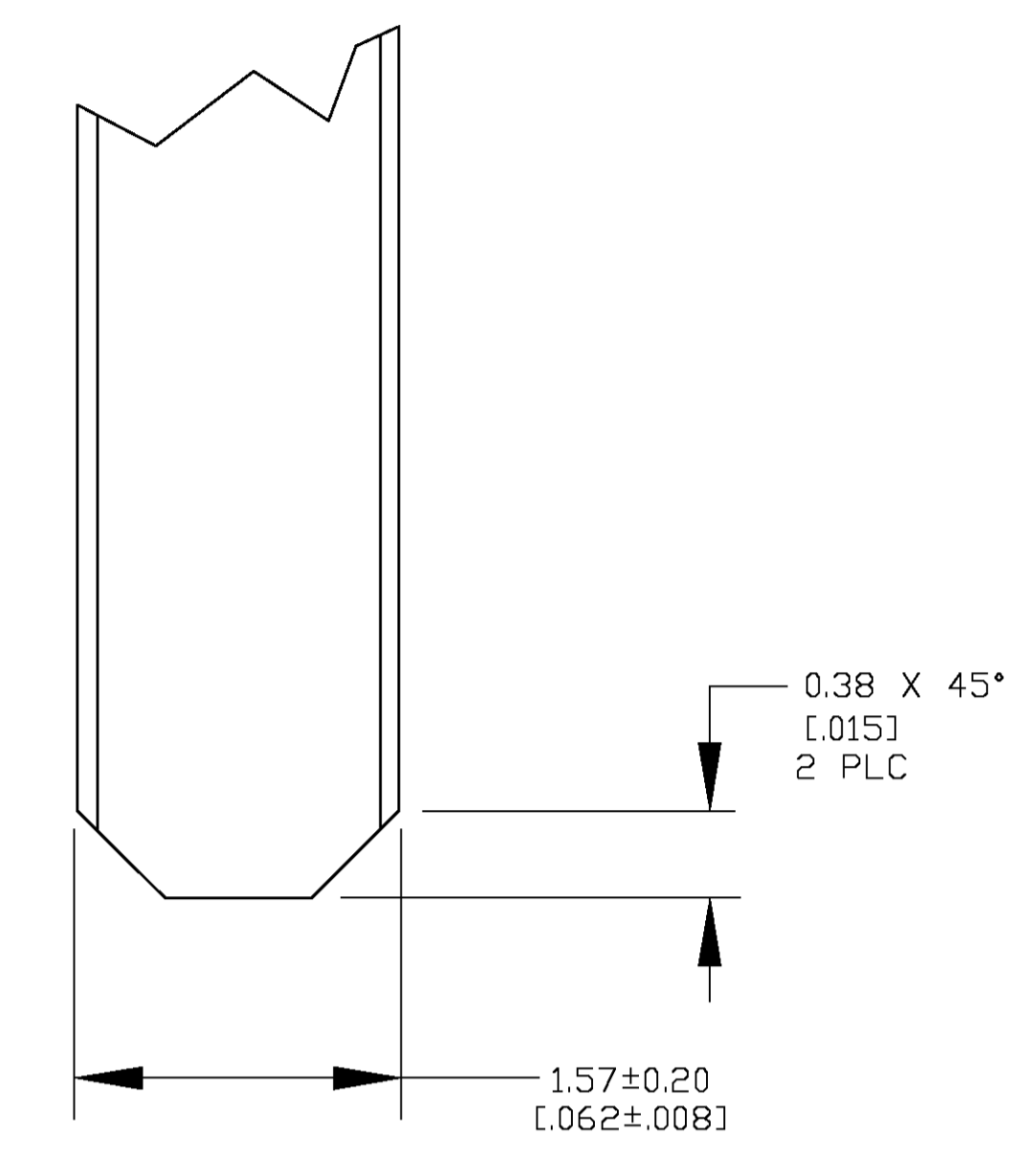
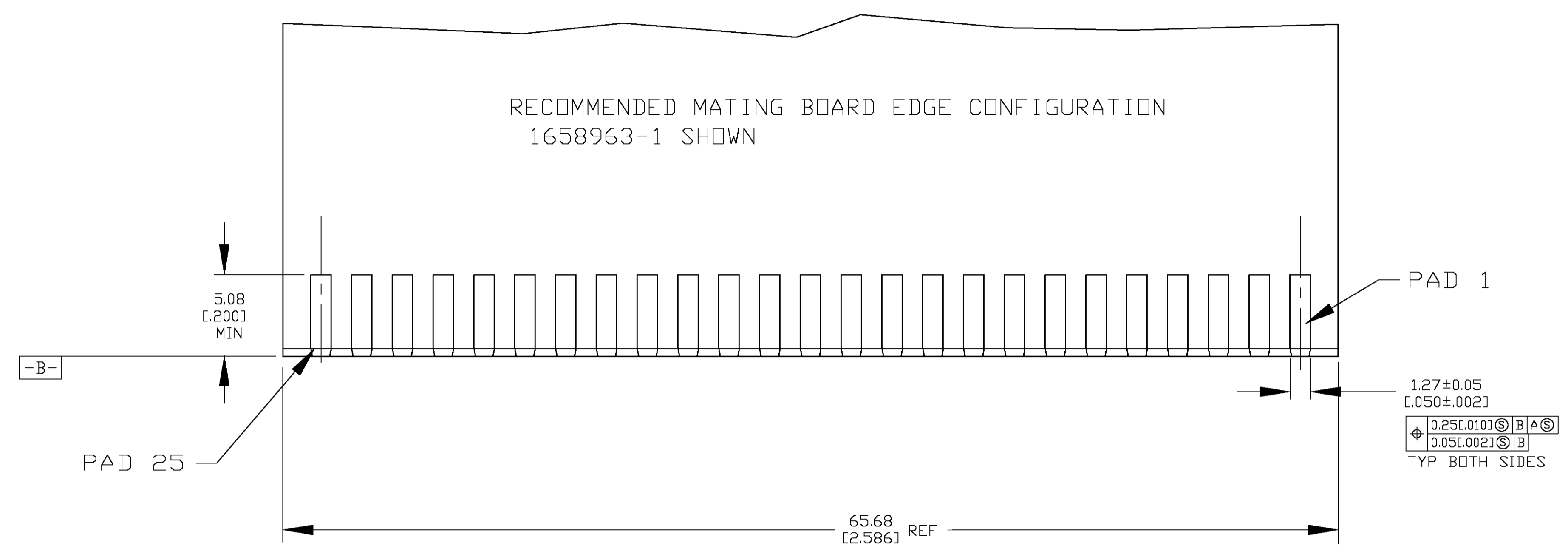
RESTRICTED TO: -

CUSTOMER DRAWING

SCALE: 5:1

SHEET: 1 OF 2

REV: B



RECOMMENDED PC BOARD HOLE LAYOUT

| | | | | |
|--|---|--------------------------------|--|--------------------|
| THIS DRAWING IS A CONTROLLED DOCUMENT. | | DNW AL FRANTUM 17 DEC 03 | Tyco Electronics Corporation Harrisburg, Pa, 17105 | |
| DIMENSIONS: | | CHK AL FRANTUM 17 DEC 03 | NAME CONNECTOR ASSEMBLY, HIGH CURRENT CARD EDGE, 2.54 [.100] CL x 3.81 [.150], RIGHT ANGLE | |
| MM | TOLERANCES UNLESS OTHERWISE SPECIFIED: | APVD | PRODUCT SPEC | RESTRICTED TO |
| ⊕ | 0 PLC ± - 1 PLC ± - 2 PLC ± 0.13[.005] 3 PLC ± - 4 PLC ± - ANGLES ± 1° | APPLICATION SPEC | SIZE A1 | CAGE CODE 00779 |
| MATERIAL | FINISH | WEIGHT | DRAWING NO C=1658963 | REV B |
| | | CUSTOMER DRAWING | SCALE 5:1 | SHEET 2 OF 2 |