

THIS COPY IS PROVIDED ON A RESTRICTED BASIS AND IS NOT TO BE USED IN ANY WAY DETRIMENTAL TO THE INTERESTS OF PANDUIT CORP.

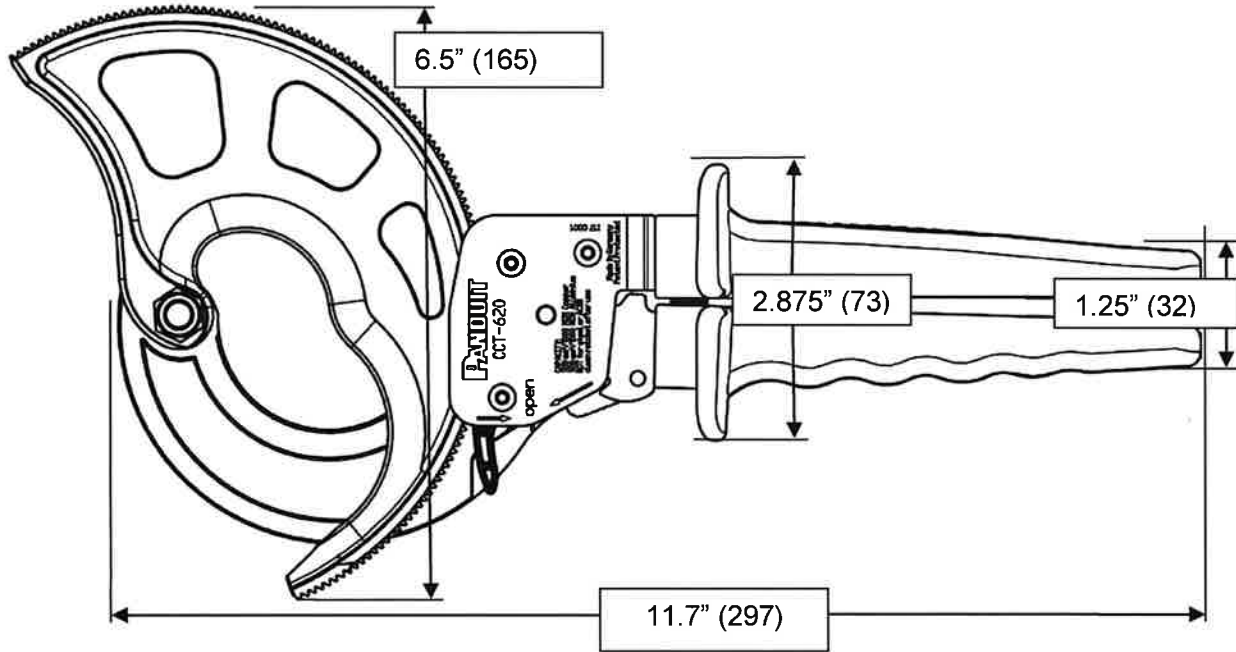
**NOTES, UNLESS OTHERWISE SPECIFIED:**  
 PANDUIT TOOL NUMBER: CCT-620

**THIS TOOLS' FEATURES INCLUDE:**

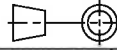

- One hand operation due to an optimal force transmission ratio and a stepwise cutting up to 2.44" (62mm) diameter.
- Unlocking possibility in every position.
- All parts made of high tempered special steel.
- Blades and stressed parts are specially tempered or hardened.
- Tool has a burnished surface.
- Tool has ergonomically formed soft-handle grips.
- Tool is RoHS compliant and fully recyclable.
- Tool cuts both Copper and Aluminum solid and stranded cables up to 2.44" (62mm) in diameter.
- DO NOT USE THIS TOOL TO CUT STEEL OR ASCR CABLE.

APPROX. DIMENSIONS: 11.7" (297) Long x 6.5" (165) Wide x 1.31" (33) Thick  
 TOOL WEIGHT: 28.2oz., (800gr.)

DIMENSIONS SHOWN IN PARENTHESES ARE METRIC.



File Location: TeamCenter

						<b>CD * CCT-620 CABLE CUTTER</b>						
						CUSTOMER DRAWING						
						ITEM REVISION NAME:		<b>PANDUIT</b>				
						<b>CG29168A01_00</b>						
						UNLESS OTHERWISE SPECIFIED, DIMENSIONAL TOLERANCES ARE:		MATERIAL:				
						(.x) ± --- (.xxx) ± ---		-----				
						(.xx) ± --- ANGLES ± ---						
						 THIRD ANGLE PROJECTION		DRAWING NUMBER:				
								<b>CG29168A01</b>				
<b>00</b>	<b>2-13-18</b>	<b>BLR</b>		<i>JADE</i>	<b>RELEASED</b>	<b>22430</b>	<b>DRAWN BY:</b>	<b>DATE:</b>	<b>CHK</b>	<b>SCALE</b>	<b>SHT 1 OF 1</b>	<b>SIZE</b>
REV	DATE	BY	CHK	APR	DESCRIPTION	ECN	BLR	2-13-18	---	NONE		<b>A</b>