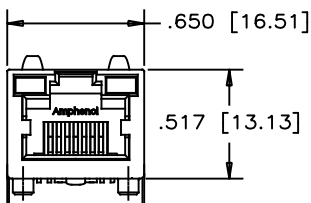
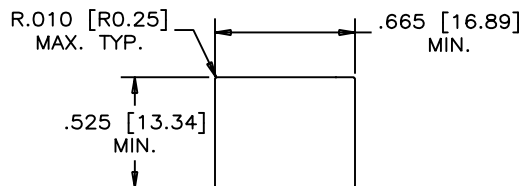


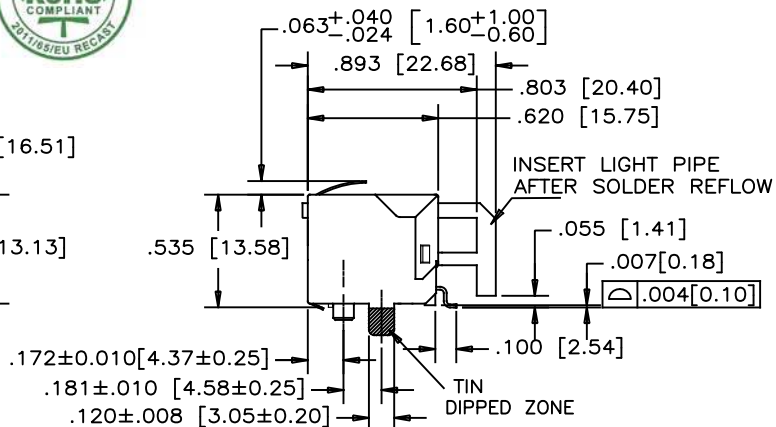
TOP VIEW



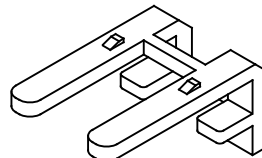
FRONT VIEW



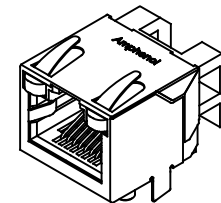
RECOMMENDED PANEL CUTOUT



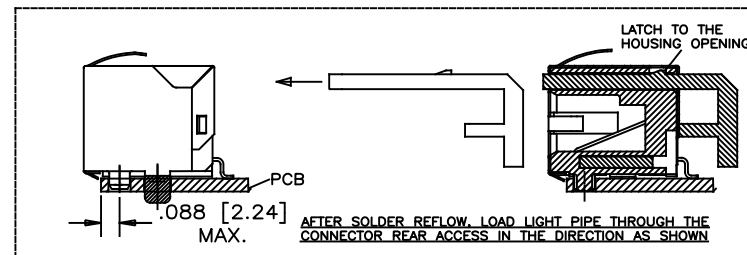
SIDE VIEW



LIGHT PIPE



FINISH CONNECTOR



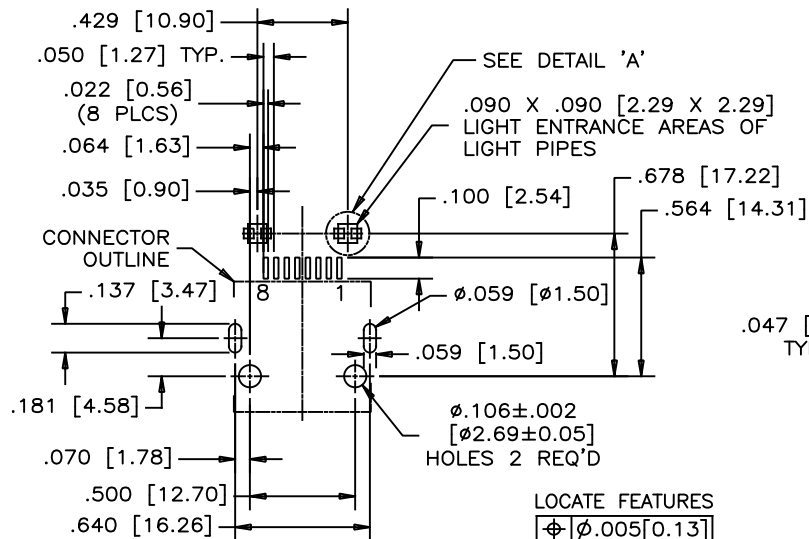
NOTES:

- MATERIALS:**  
**PLASTIC HOUSING:** HIGH TEMPERATURE ENGINEERING THERMOPLASTIC  
 FLAMMABILITY RATING UL 94V-0  
**CONTACTS:** PHOSPHOR BRONZE  
 PLATING: 20 μ" [0.51 MICRONS]  
 MIN. GOLD ON MATING SURFACES.  
 50 μ" [1.27 MICRONS]  
 MIN. NICKEL UNDERPLATE.  
 100 μ" [2.54 MICRONS]  
 MIN. MATTE TIN ON CONTACT TAILS.

**SHIELD:** COPPER ALLOY  
 PLATING: NICKEL

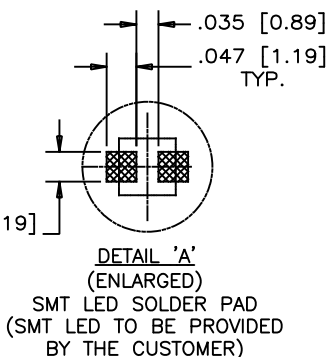
**LIGHT PIPE:** CLEAR POLYCARBONATE  
 FLAMMABILITY RATING UL 94V-0
- AMPHENOL PART NUMBER: RJSSE-5S81

SHELL OPTION:  
 S - SPECIAL SOLDER  
 TAIL OF SHEEL



RECOMMENDED P.C.B. LAYOUT  
(COMPONENT SIDE OF BOARD)

LOCATE FEATURES  
 $\phi \pm 0.005 [0.13]$   
 POSITION DIMENSIONS  
 ARE BASIC



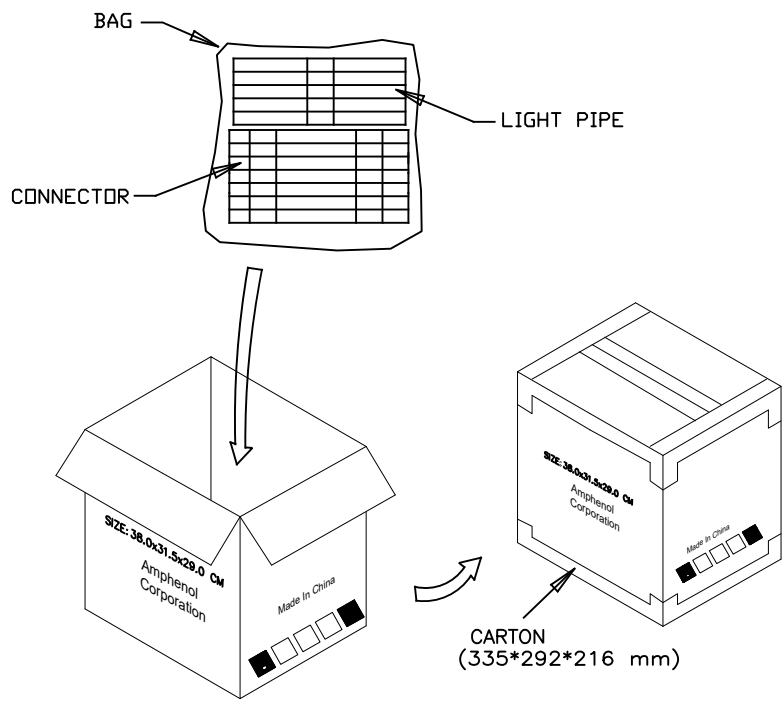
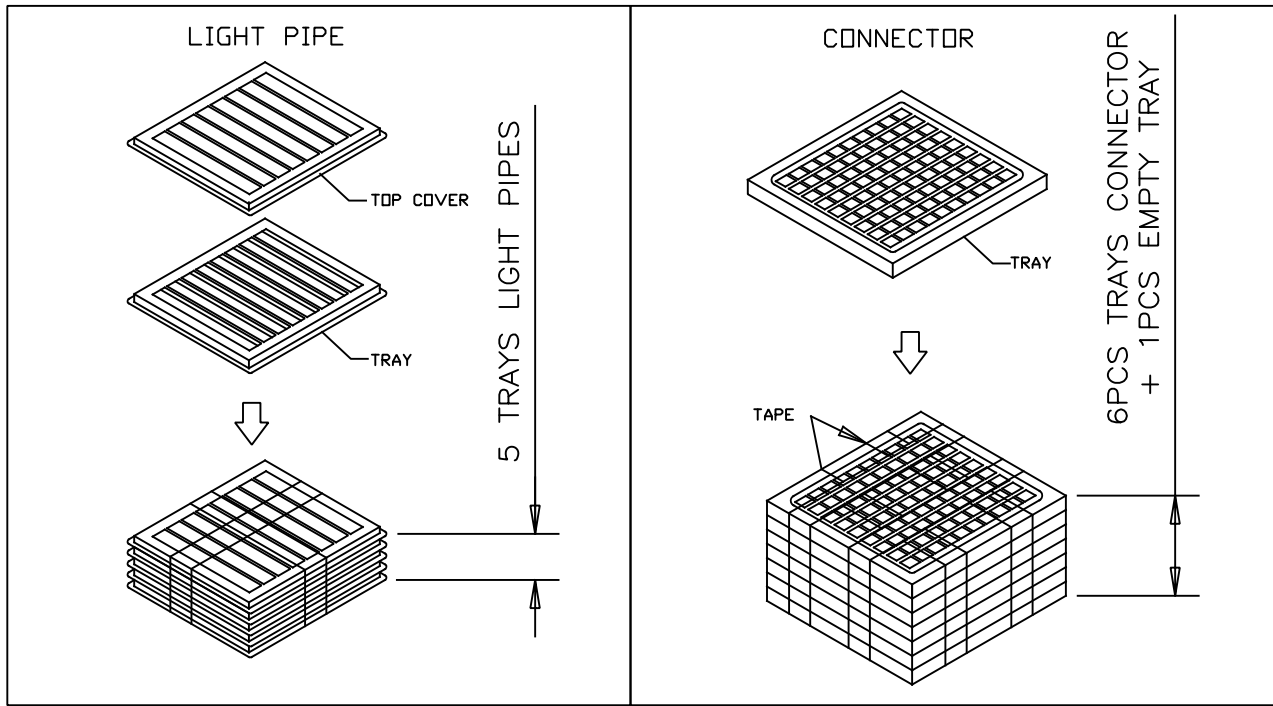
DETAIL 'A'  
(ENLARGED)

SMT LED SOLDER PAD  
(SMT LED TO BE PROVIDED  
BY THE CUSTOMER)

UNLESS SPECIFIED OTHERWISE	DRAWN	MT.chen	OCT29/09
PRIMARY UNITS	CHECKED	L.CHAN	OCT29/09
SECONDARY	M.E. APP'D		
REFERENCE IN PARENTHESES	Q.A. APP'D		
GENERAL TOLERANCES	DWG APP'D		
1 DECIMAL PLACE	ENG. REL. NO.		
2 DECIMAL PLACES	REF.	EAR 13608	
3 DECIMAL PLACES ±.015	THIRD ANGLE PROJECTION		
ANGULAR DEGREES ±1.5'	DO NOT SCALE DRAWING		

Amphenol Canada Corp. Commercial Products	
SURFACE MOUNT, RJ45, 8 POSITION, 8 CONTACTS, SHIELD WITH TOP TAB, TRAY PACKAGING, SHIELDED, LIGHT PIPES OPTIONAL - RoHS COMPLIANT	
DWG NO.	REV
P-RJSSE-5S81	E
CODE ID NO. 03554	DWG SIZE X
SCALE N/A	SHEET 1 OF 2

REVISIONS			
REV	DESCRIPTION, ECN, EAR NO.	DATE	APP'D
A	PROPOSAL	OCT29/09	L.CHAN
B	PROPOSAL	NOV09/09	L.CHAN
C	UPDATE DRAWING	JAN23/4	L.CHAN
D	CORRECT DIMENSION	JAN18/16	L.CHAN
E	ADD PACKAGE INFORMATION	APR02/22	L.CHAN



**PACKAGING NOTES:**

1. EACH TRAY PACK 90PCS CONNECTORS, EACH CARTON PACK 540PCS CONNECTOR [6PCS TRAYS CONNECTOR AND 1PCS EMPTY TRAY].
2. EACH LIGHT PIPE TRAY PACK 128PCS LIGHT PIPE EACH CARTON PACK 540PCS LIGHT PIPE [ONE TRAY IS NOT FULLY LOADING].

UNLESS SPECIFIED OTHERWISE	DRAWN	MT.chen	OCT29/09	Amphenol Canada Corp. Commercial Products
PRIMARY UNITS INCHES	CHECKED	L.CHAN	OCT29/09	
SECONDARY MILLIMETERS	M.E. APP'D			SURFACE MOUNT, RJ45, 8 POSITION, 8 CONTACTS, SHIELD WITH TOP TAB, TRAY PACKAGING, SHIELDED, LIGHT PIPES OPTIONAL - RoHS COMPLIANT
REFERENCE IN PARENTHESES	Q.A. APP'D			
GENERAL TOLERANCES	DWG APP'D			DWG NO. <b>P-RJSSE-5S81</b>
1 DECIMAL PLACE	ENG. REL. NO.			
2 DECIMAL PLACES	REF.	EAR 1360B		REV <b>E</b>
3 DECIMAL PLACES ±.015	THIRD ANGLE PROJECTION			
ANGULAR DEGREES ±1.5°	DO NOT SCALE DRAWING			CODE ID NO. 03554   DWG SIZE X   SCALE N/A   SHEET 2 OF 2