



PIDG

TE Internal #: 160314-2

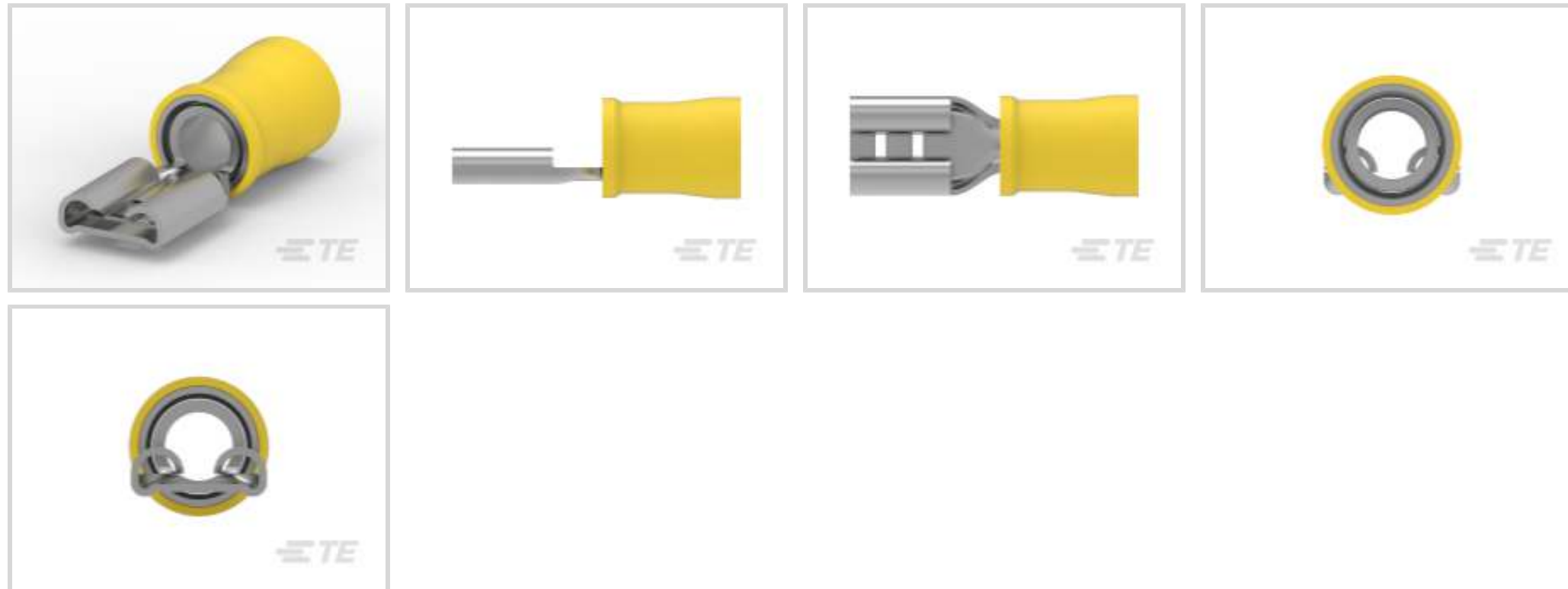
Quick Disconnects, Receptacle, 11 – 10 AWG Wire Size, 4 – 6 mm²

Wire Size, 8226 – 12066 CMA Wire Size, Mating Tab Width 6.35 mm

[.25 in], PIDG

[View on TE.com >](#)

Terminals & Splices > Quick Disconnects > PIDG FASTON Receptacle Quick Disconnects



Quick Disconnect Terminal Type: **Receptacle**

Wire Size: **8226 – 12066 CMA**

Mating Tab Width: **6.35 mm [.25 in]**

[All PIDG FASTON Receptacle Quick Disconnects \(21\)](#)

Features

Product Type Features

Insertion Force	Normal
-----------------	--------

Configuration Features

Connection Capacity	Single
---------------------	--------

Electrical Characteristics

Voltage Rating	300 V
----------------	-------

Body Features

Insulation Material	Nylon
---------------------	-------

Contact Features

Quick Disconnect Terminal Type	Receptacle
Mating Tab Width	6.35 mm [.25 in]
Mating Tab Thickness	.81 mm [.032 in]
Terminal Orientation	Straight
Contact Base Material	Brass



Terminal Plating Material	Tin
Crimp Type	Compression
Barrel Type	Closed

Termination Features

Product Terminates To	Wire & Cable
-----------------------	--------------

Mechanical Attachment

Wire Insulation Support	With
Mating Retention Type	Dimple

Dimensions

Product Length	26 mm[1.024 in]
Wire Size	8226 – 12066 CMA

Usage Conditions

Insulation Option	Partially Insulated
Operating Temperature Range	105 °C[221 °F]

Packaging Features

Packaging Quantity	500
Packaging Method	Bag

Other

Barrel Color	Yellow
--------------	--------

Product Compliance

[For compliance documentation, visit the product page on TE.com>](#)

EU RoHS Directive 2011/65/EU	Compliant
EU ELV Directive 2000/53/EC	Compliant
China RoHS 2 Directive MIIT Order No 32, 2016	No Restricted Materials Above Threshold
EU REACH Regulation (EC) No. 1907/2006	Current ECHA Candidate List: JUNE 2023 (235) Candidate List Declared Against: JUNE 2023 (235) Does not contain REACH SVHC
Halogen Content	Low Halogen - Br, Cl, F, I < 900 ppm per homogenous material. Also BFR/CFR/PVC Free
Solder Process Capability	Not applicable for solder process capability

Product Compliance Disclaimer

This information is provided based on reasonable inquiry of our suppliers and represents our current actual knowledge based on the information they provided. This information is subject to change. The part numbers that TE has identified as EU RoHS compliant have a maximum concentration of 0.1% by weight in homogenous materials for lead, hexavalent chromium, mercury, PBB, PBDE, DBP, BBP, DEHP, DIBP, and 0.01% for cadmium, or qualify for an exemption to these limits as defined in the Annexes of Directive 2011/65/EU (RoHS2). Finished electrical and electronic equipment products will be CE marked as required by Directive 2011/65/EU. Components may not be CE marked. Additionally, the part numbers that TE has identified as EU ELV compliant have a maximum concentration of 0.1% by weight in homogenous materials for lead, hexavalent chromium, and mercury, and 0.01% for cadmium, or qualify for an exemption to these limits as defined in the Annexes of Directive 2000/53/EC (ELV). Regarding the REACH Regulation, the information TE provides on SVHC in articles for this part number is based on the latest European Chemicals Agency (ECHA) 'Guidance on requirements for substances in articles' posted at this URL: <https://echa.europa.eu/guidance-documents/guidance-on-reach>

Compatible Parts



TE Part # 58433-3
PRO CR ASSY, RBY IS9252



TE Part # 58423-1
DIE, RBY IS9252



TE Part # 1377175-9
SMP 0-0160314-2



TE Part # 90276-2
HHHT PIDG FASTON 12-10 ASSY




TE Part # 1SET191001R0000
CRIMP-HT

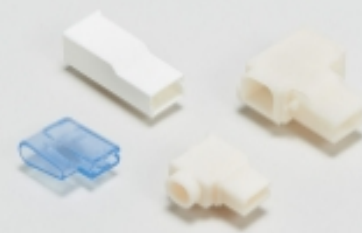


TE Part # 169404
CERTI-LOK DIE

Also in the Series | PIDG




Compression Connectors(17)



Crimp Terminal Housings(1)



Crimp Wire Pins, Tabs & Ferrules(40)



Hand Crimping Tools(2)



Knife Disconnects(11)



PCB Terminals(9)



Quick Disconnects(49)



Ring Terminals & Spade Terminals(861)

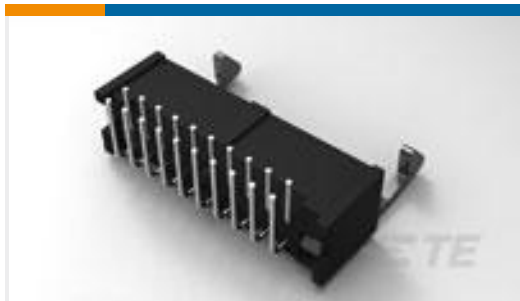


Special Purpose Terminals(1)



Splices(47)

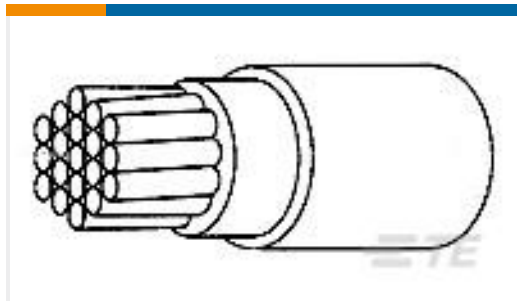
Customers Also Bought



TE Part #3-1761607-5
IDC LOW PRO HDR 50P RA LG LAT



TE Part #160138
PIDG RING TONGUE



TE Part #9564073001
99M0111-20-5



TE Part #4-1879226-7
CPF 1206 36K5 0.1% 25PPM 1K RL



TE Part #D247293001
LHCS15-4.0-45



TE Part #A553673001
99M1131-20-0/2/6-0CK0500



TE Part #2-1104000-3
HVT.8.STI.C

Documents

Product Drawings

250 FASTON

English

CAD Files

3D PDF

3D

Customer View Model

ENG_CVM_CVM_160314-2_AG.2d_dxf.zip



English

Customer View Model

[ENG_CVM_CVM_160314-2_AG.3d_igs.zip](#)

English

Customer View Model

[ENG_CVM_CVM_160314-2_AG.3d_stp.zip](#)

English

[3D PDF](#)

English

Customer View Model

[ENG_CVM_160314-2_K1.2d_dxf.zip](#)

English

Customer View Model

[ENG_CVM_160314-2_K1.3d_igs.zip](#)

English

Customer View Model

[ENG_CVM_160314-2_K1.3d_stp.zip](#)

English

By downloading the CAD file I accept and agree to the [Terms and Conditions](#) of use.

Datasheets & Catalog Pages

[PIDG TERMINALS & SPLICES Quick Reference Guide](#)

English

Product Specifications

[Application Specification](#)

English

Product Environmental Compliance

[MD_160314-2_03192018731_dmtec](#)

English

[MD_160314-2_03192018731_dmtec](#)

English