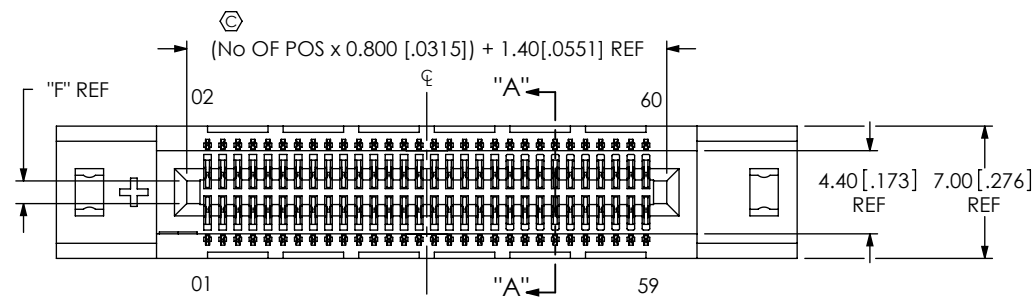


**DESIGNED & DIMENSIONED  
IN MILLIMETERS  
(INCHES FOR REFERENCE ONLY)**

**MEC8-1XX-XX-XX-D-EMX**

DO NOT  
SCALE FROM  
THIS PRINT



No OF POSITIONS (PER ROW)

- 10, -20, -30, -35, -40,
- 45, -50, -60, -70

CARD THICKNESS

- 01: 1mm (.039) THICK CARD
- 02: 1.57mm (.062) THICK CARD

PLATING SPECIFICATION

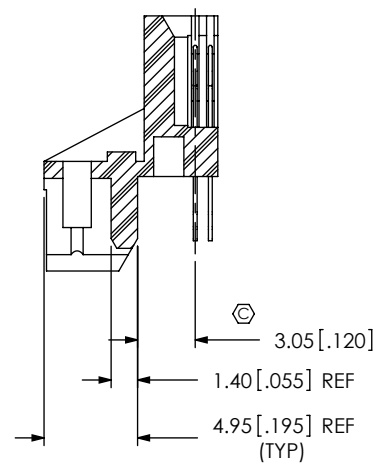
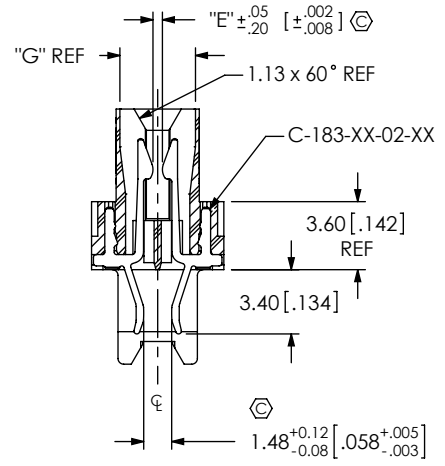
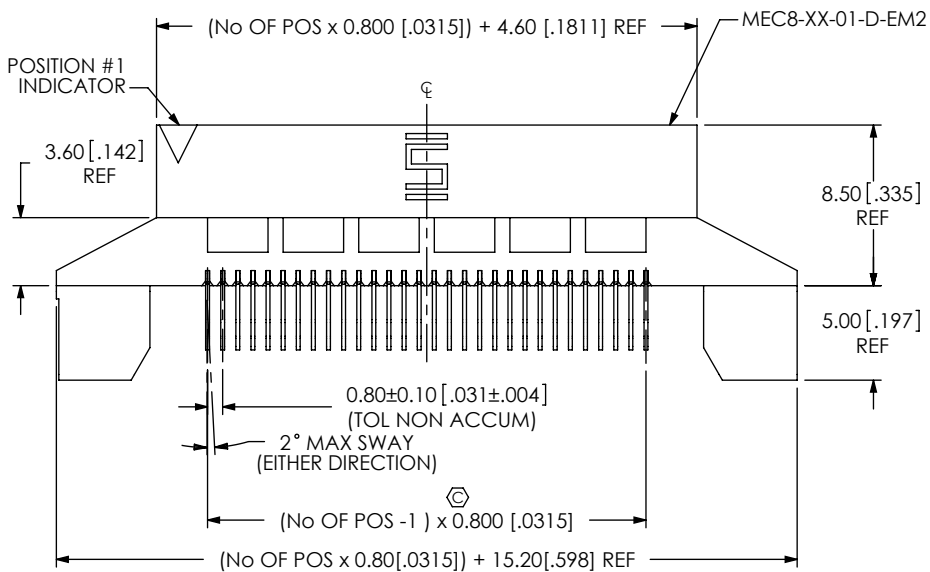
- L: 10µ" SELECTIVE GOLD IN CONTACT AREA, MATTE TIN ON TAIL
- S: 30µ" SELECTIVE GOLD IN CONTACT AREA, MATTE TIN ON TAIL
- LM: 10µ" SELECTIVE GOLD IN CONTACT AREA, MATTE TIN ON TAIL
- SM: 30µ" SELECTIVE GOLD IN CONTACT AREA, MATTE TIN ON TAIL

TAIL OPTION

- EM2: .062 THICK PCB (USE MEC8-XX-XX-D-EM2 AND C-183-XX-02-X)

ROW SPECIFICATION

- D: DOUBLE (USE MEC8-XX-XX-D-EM2)

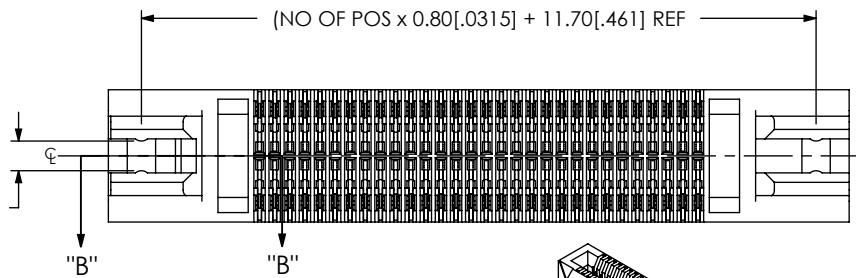


SECTION "A"- "A"

SECTION "B"- "B"

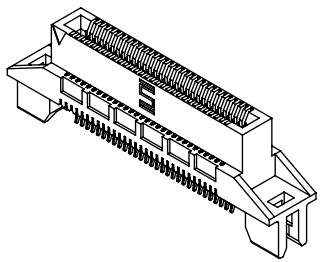
FIG 1

FOR POSITIONS -10, -20, -30 & -35 (SHOWN: MEC8-130-01-X-D-EM2)



CARD	BODY	CONTACT	"E"	"F"	"G"
-01	MEC8-XX-01-D-EM2	C-183-01-02-XX	.50 [.020]	1.20 [.047]	3.400 [.1339]
-02	MEC8-XX-02-D-EM2	C-183-02-02-XX	1.00 [.039]	1.80 [.071]	4.000 [.1575]

- NOTES:
1. Ⓢ REPRESENTS A CRITICAL DIMENSION.
  2. BURR ALLOWANCE: 0.04 [.0015] MAX.
  3. MINIMUM PUSHOUT FORCE: .5 LB.
  4. ALL TAIL TO TAIL DIMENSIONS TO BE MEASURED FROM TIP TO TIP.



UNLESS OTHERWISE SPECIFIED, DIMENSIONS ARE IN MILLIMETERS TOLERANCES ARE: DECIMALS ANGLES .X: ± .3 [.01] .XX: ± .13 [.005] .XXX: ± .05 [.0020]	PROPRIETARY NOTE THIS DOCUMENT CONTAINS INFORMATION CONFIDENTIAL AND PROPRIETARY TO SAMTEC, INC. AND SHALL NOT BE REPRODUCED OR TRANSFERRED TO OTHER DOCUMENTS OR DISCLOSED TO OTHERS OR USED FOR ANY PURPOSE OTHER THAN THAT WHICH IT WAS OBTAINED WITHOUT THE EXPRESSED WRITTEN CONSENT OF SAMTEC, INC.		
		520 PARK EAST BLVD, NEW ALBANY, IN 47150 PHONE: 812-944-6733 FAX: 812-948-5047 e-Mail: info@SAMTEC.com code: 5332	
MATERIAL: DO NOT SCALE DRAWING SHEET SCALE: 2.5:1		DESCRIPTION: 0.8mm DUAL EDGE MOUNT MINI-EDGE CARD ASSEMBLY	
INSULATOR: -01: L.C.P., COLOR: NATURAL -02: L.C.P., COLOR: BLACK CONTACT: PHOS BRONZE		DWG. NO. <b>MEC8-1XX-XX-XX-D-EMX</b>	
F:\DWG\MISC\MKTG\MEC8-1XX-XX-XX-D-EMX-MKT.SLDDRW		BY: CHAD F 04/09/2002 SHEET 1 OF 2	

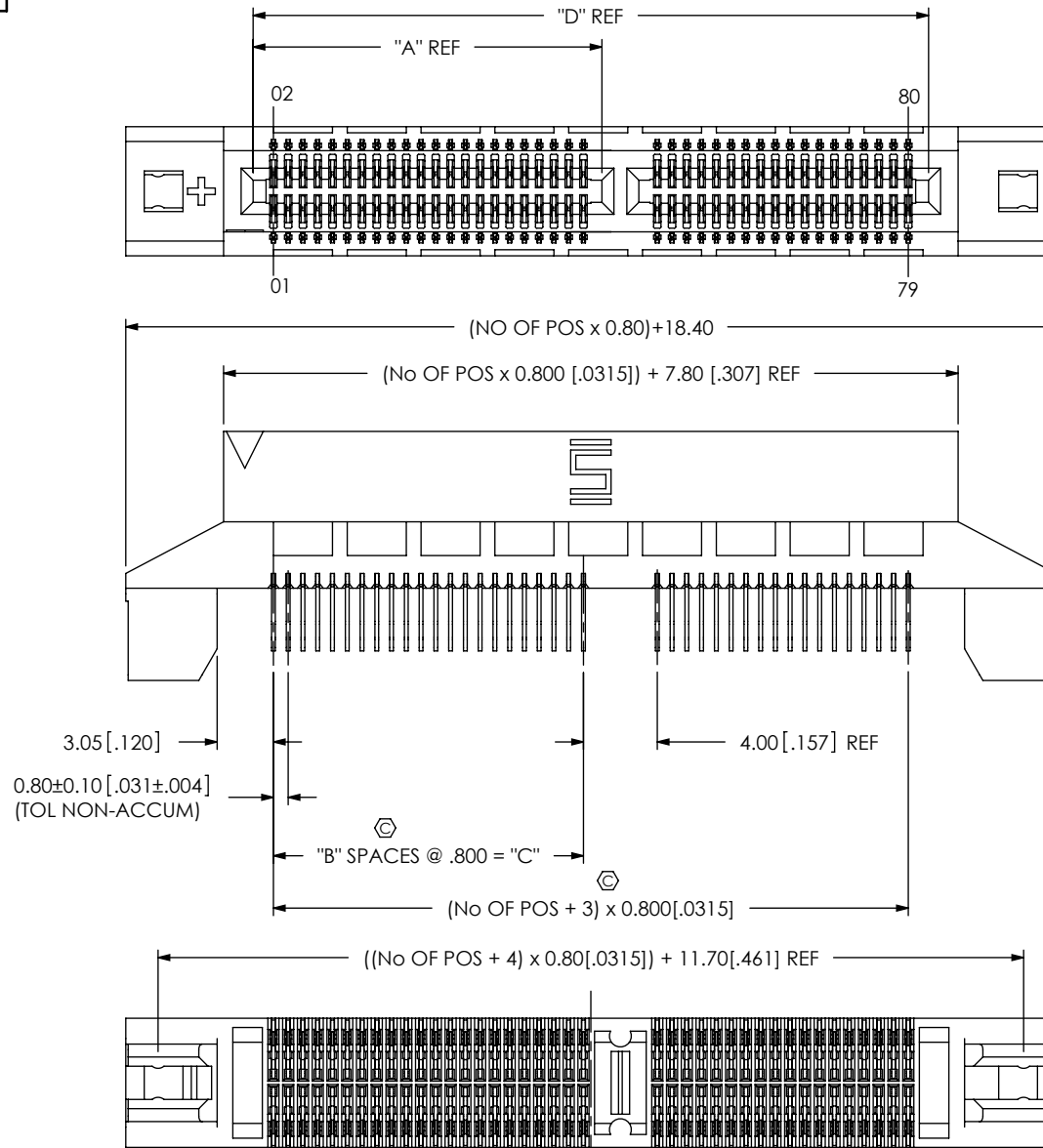


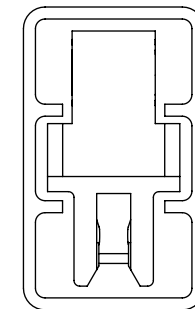
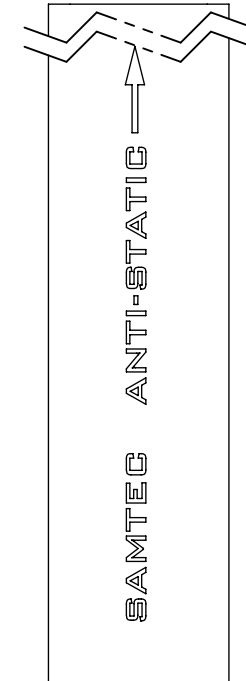
FIG 2<sup>c</sup>

FOR POSITIONS -40 THRU 70  
(SAME AS FIG 1, UNLESS OTHERWISE STATED)  
(SHOWN: MEC8-140-01-X-D-EM2-A)

No OF POS	"A" REF	"B"	"C"	"D" REF
-40	18.90 [.744]	21	16.800 [.661]	36.60 [1.441]
-45	20.50 [.807]	23	18.400 [.724]	40.60 [1.598]
-50	22.90 [.902]	26	20.800 [.8189]	44.60 [1.756]
-60	26.90 [1.059]	31	24.800 [.9764]	52.60 [2.071]
-70	30.90 [1.217]	36	28.800 [1.1339]	60.60 [2.386]

**PACKAGING VIEW**

(PARTS TO HAVE POSITION #1 LOADED IN SAME DIRECTION AS ARROW ON TUBE)



TUBE: PT-1-24-02-125  
PLUG: TP-03

**PROPRIETARY NOTE**

THIS DOCUMENT CONTAINS INFORMATION CONFIDENTIAL AND PROPRIETARY TO SAMTEC, INC. AND SHALL NOT BE REPRODUCED OR TRANSFERRED TO OTHER DOCUMENTS OR DISCLOSED TO OTHERS OR USED FOR ANY PURPOSE OTHER THAN THAT WHICH IT WAS OBTAINED WITHOUT THE EXPRESSED WRITTEN CONSENT OF SAMTEC, INC.

DO NOT SCALE DRAWING

SHEET SCALE: 2.5:1



520 PARK EAST BLVD. NEW ALBANY, IN 47150  
PHONE: 812-944-6733 FAX: 812-948-5047  
e-Mail: info@SAMTEC.com code: 55322

DESCRIPTION:  
0.8mm DUAL EDGE MOUNT MINI-EDGE CARD ASSEMBLY

DWG. NO.  
**MEC8-1XX-XX-XX-D-EMX**

BY: CHAD F 04/09/2002 SHEET 2 OF 2