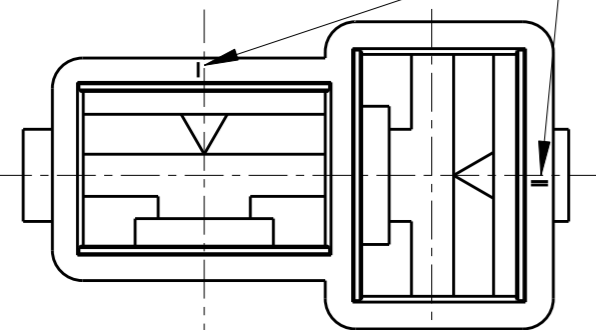


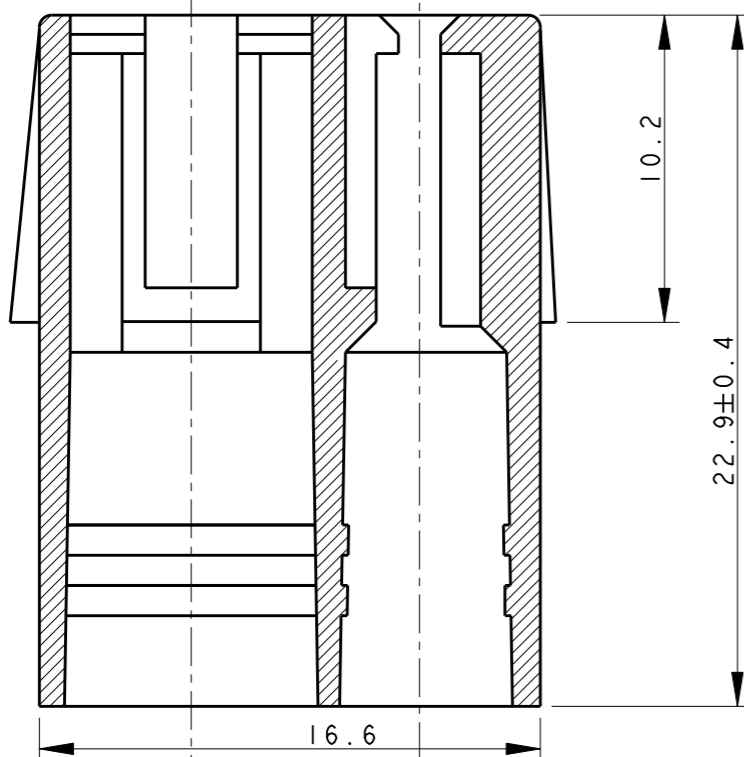
LOC	DIST	REVISIONS			
P	LTR	DESCRIPTION	DATE	DWN	APVD
1	-	AA8	REVISED PER ECO-11-005301	28MAR2011	RK HMR

SCALE 4:1

CIRCUIT IDENTIFICATION



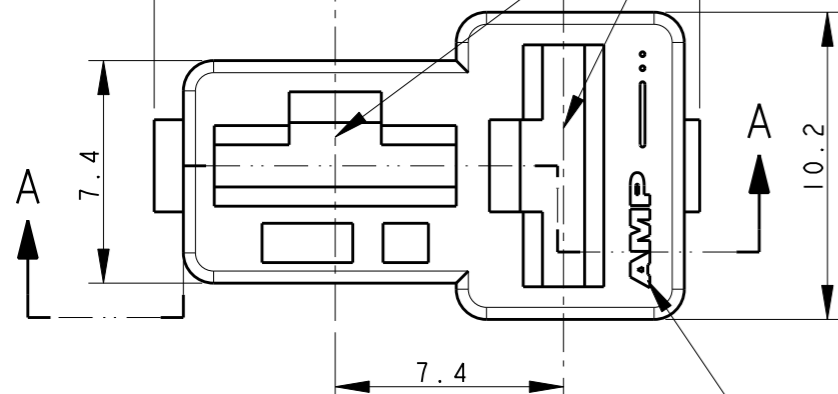
SECTION A-A



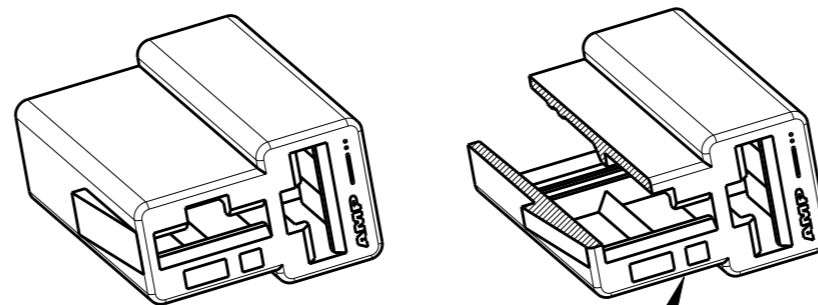
16.6

TYPICAL CAVITY SUITABLE FOR .250" SRS FASTIN-FASTON* REC. CONTACT

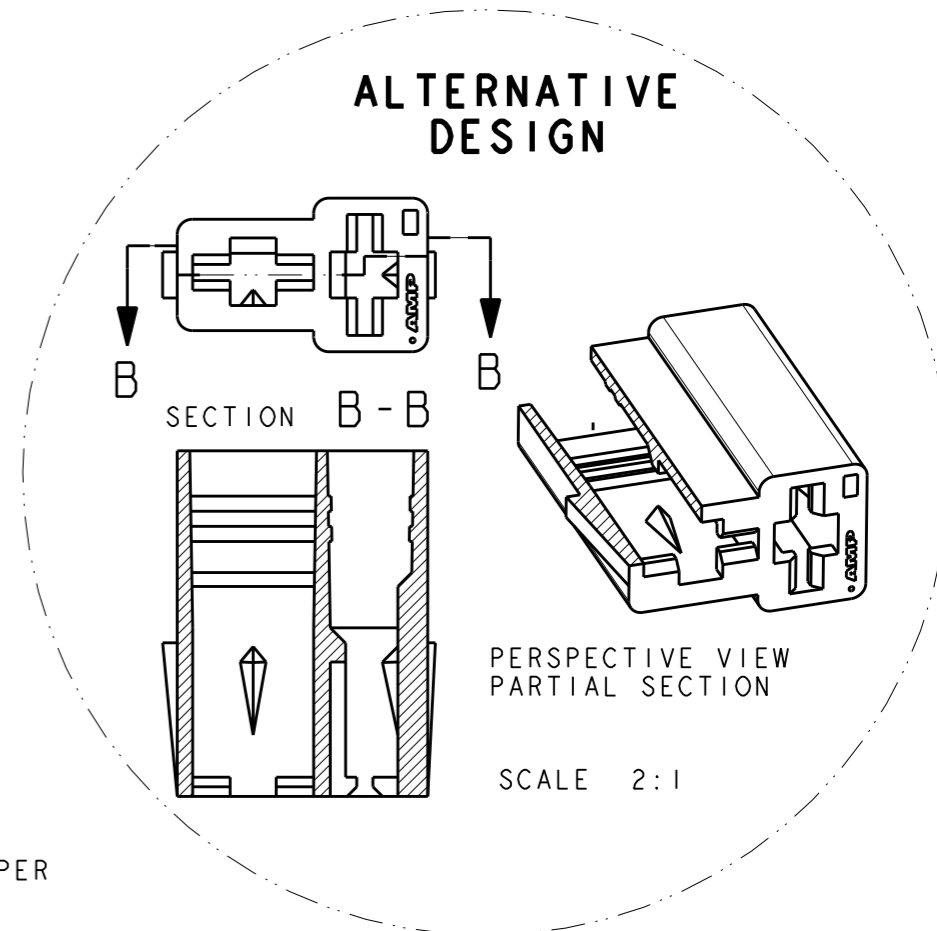
18.0



TE AMP TRADEMARK (OPTIONAL)



PERSPECTIVE VIEW PARTIAL SECTION



ALTERNATIVE DESIGN

SECTION B-B

PERSPECTIVE VIEW PARTIAL SECTION

SCALE 2:1

- 1 SAME AS 0-180907-0 BUT SPECIAL PACKAGING, ON CARTON BOX, TWO PLASTIC BAG WITH 3000 PIECES ON EACH.
- 2 NOT YET RELEASED FOR PRODUCTION
- 3 OBSOLETE PARTS: OBSOLETE CIS STREAMLINING PER D.REANUD/D.SINISI

NOTES	COLOUR	MATERIAL	P/N	REV
3 OBSOLETE	HEAT STABILIZED MATERIAL	BLACK	POLYAMIDE 6.6, UL 94 V2	4-180907-0 AA
		NATURAL	POLYAMIDE 6.6	3-180907-0 AA
		NATURAL	POLYAMIDE 6.6	2-180907-0 AA
	ACC. TO IEC 60335-1	NATURAL	POLYAMIDE 6.6, UL 94 V0	1-180907-6 AA
	UL APPROVED	NATURAL	NYLON 6.6; ZYTEL 101L	1-180907-0 AA
		BLACK	POLYAMIDE 6.6	0-180907-5 AA
		YELLOW		0-180907-4 O
		BLUE		0-180907-3 AA
		RED		0-180907-1 AA
		NATURAL		0-180907-0 AA

THIS DRAWING IS A CONTROLLED DOCUMENT.

DWN H. YAALI 14JUN2002
CHK C. TARTARI
APVD

PRODUCT SPEC 108-20020
APPLICATION SPEC 114-2025
WEIGHT

STE TE Connectivity

NAME 2 WAY FASTIN-FASTON RECEPTACLE HOUSING .250 SERIES

SIZE A3 CAGE CODE 00779 DRAWING NO C-180907 RESTRICTED TO

MATERIAL SEE TABLE FINISH

CUSTOMER DRAWING SCALE 4:1 SHEET 1 OF 1 REV AA8