

MATERIAL

Anodised aluminium round cross section bar, ground and sandblasted surface, satin finish.

STANDARD EXECUTION

Threaded blind holes.

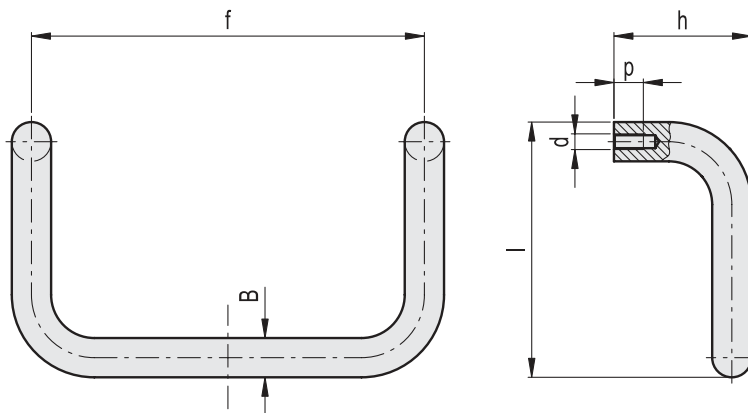
- RHM4-11: natural colour.
- RHM4-14: black colour.

SPECIAL EXECUTIONS ON REQUEST

- With end supports.
- Different lengths.

OTHER STANDARD EXECUTIONS AVAILABLE

Version RH-M4-CLEAN (see page 554).



Conversion Table	
1 mm = 0.039 inch	
mm	inch
200	7.87
350	13.78
500	19.68

RHM4-11

METRIC

Code	f	d	p	B	h	l	⚖️
RHM4-20.200.11	200	M8	15	20	70	130	390
RHM4-20.350.11	350	M8	15	20	70	130	518
RHM4-30.350.11	350	M10	15	30	100	175	1360
RHM4-30.500.11	500	M10	15	30	100	175	1595

RHM4-14

Code	f	d	p	B	h	l	⚖️
RHM4-20.200.14	200	M8	15	20	70	130	390
RHM4-20.350.14	350	M8	15	20	70	130	518
RHM4-30.350.14	350	M10	15	30	100	175	1360
RHM4-30.500.14	500	M10	15	30	100	175	1595

Lift & Pull handles