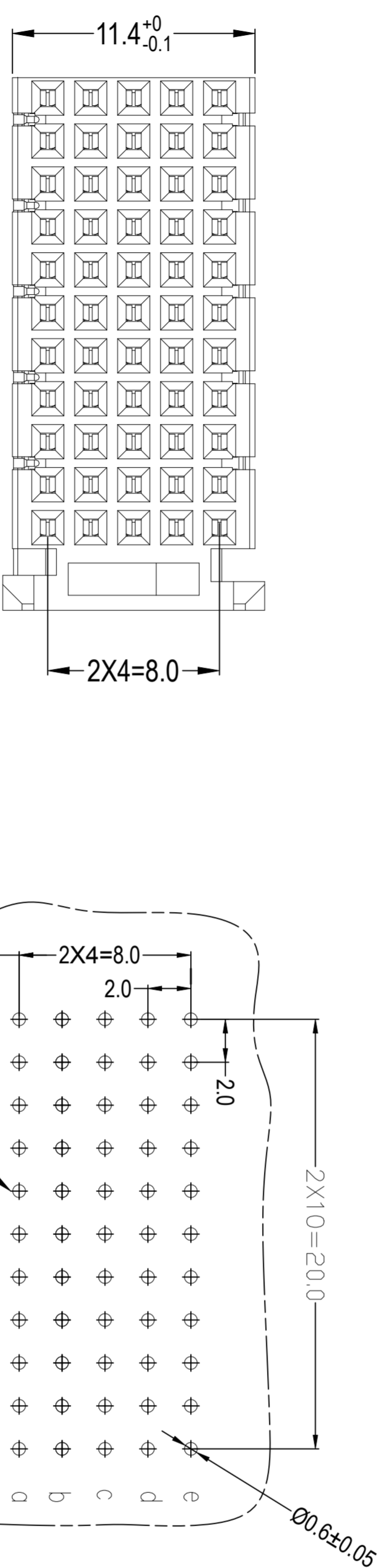
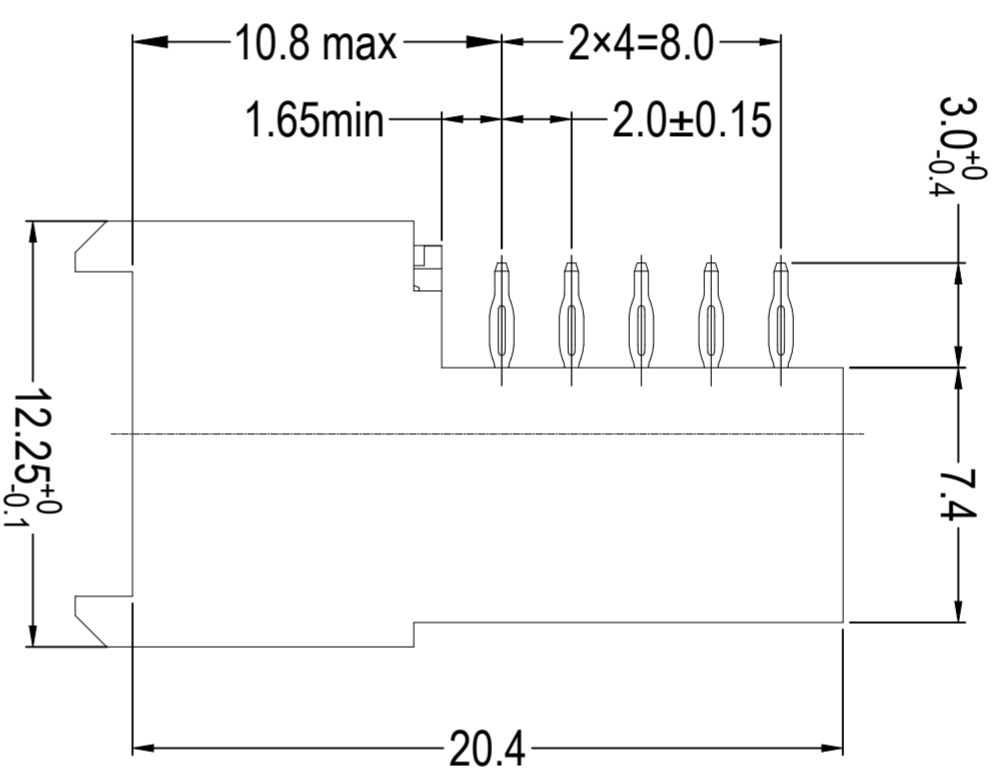
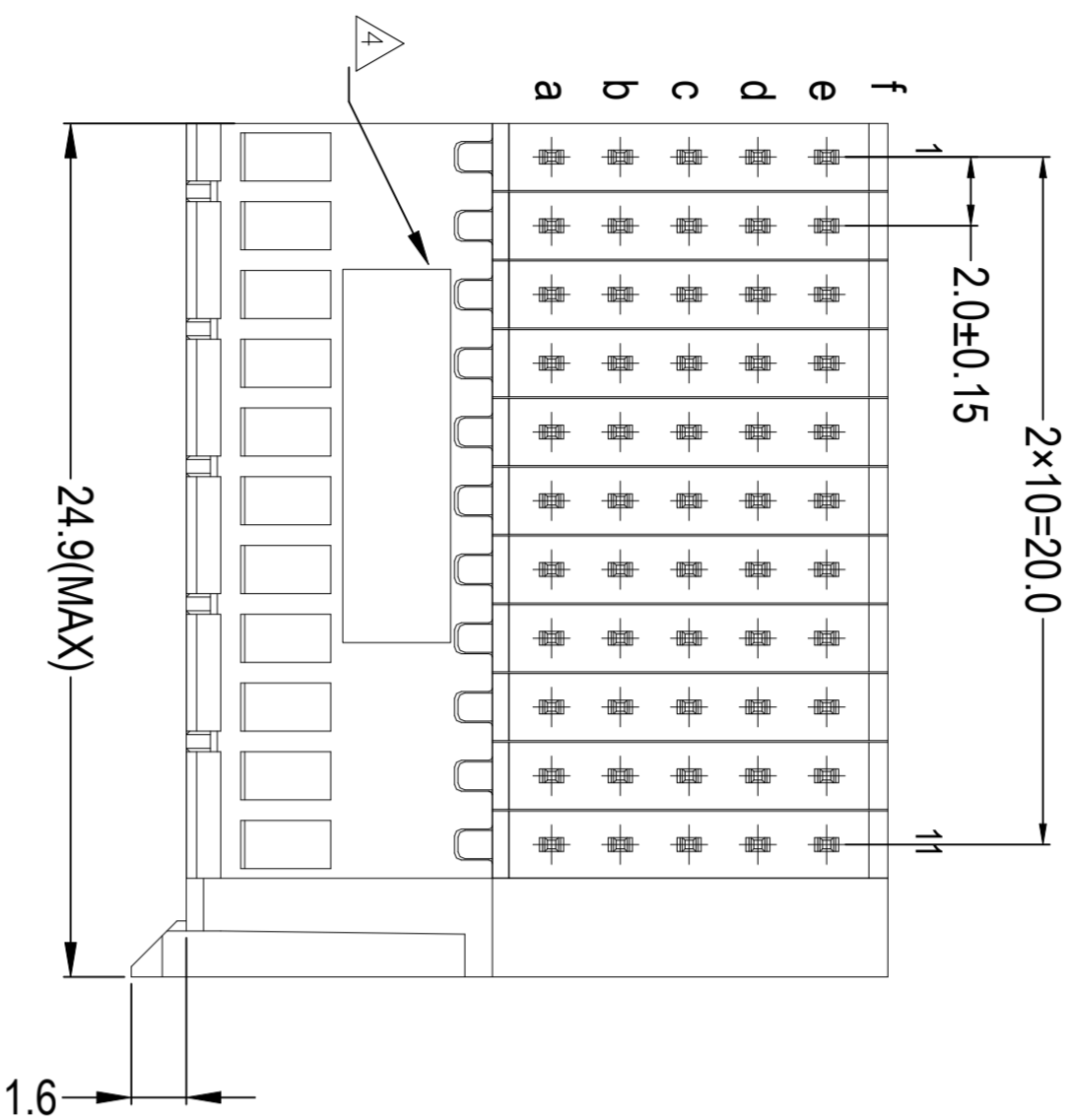


REVISIONS				
P	LTR	DESCRIPTION	DATE	DWG APP'D
A		INITIAL RELEASE	15OCT2021	TL HIL

NOTES:

- 1 MATERIAL: CONTACTS : COPPER ALLOY HOUSING: GLASSFILLED POLYESTER,COLOR NATURAL,UL94V-0
- 2 GENERAL PLATING SPECIFICATION: UNDERPLATING (ENTIRE CONTACT): 1,27µm NICKEL MIN. AND EDN PIN: 0,5µm TIN MIN. FOR PLATING OF MATING SURFACES SEE APPLICABLE SPECIFICATION REFERENCE FOR EACH DASH NUMBER.
- 3 CONFORMS TO ALL TESTING ACCORDING IEC 61076-4-101 PERFORMANCE LEVEL 2.
- 4 ASSEMBLY PRINTED WITH P/N AND DATECODE
- 5 HOLE PATTERN FOR FEMALE CONNECTOR PLATED-THROUGH HOLES AT 2x2mm SQUARE GRID



2/3	A	2389274-1
FINISH	MATERIAL	PART NUMBER

RECOMMEND PCB-HOLE LAYOUT

TOLERANCE ±0.05

THIS DRAWING IS A CONTROLLED DOCUMENT.		DWG 26MAR2021		STE TE Connectivity Ltd.	
DIMENSIONS: mm		CHK TONY LI	26MAR2021		
TOLERANCE UNLESS OTHERWISE SPECIFIED:		CHK ALEX SHOAL	26MAR2021		
0 P.L.C	±	APVD HOPE LU			
1 P.L.C	± 0.2	PRODUCT SPEC			
2 P.L.C	± 0.2	APPLICATION SPEC			
3 P.L.C	± 0.2	WEIGHT	114-160149		
4 P.L.C	±	CUSTOMER DRAWING			
ANGLES	±	SIZE	A2	QAE CODE	2389274
FINISH	±	DRAWING NO		RESTRICTED TO	
		SCALE	4:1	SHEET	1 of 1
		REV			A