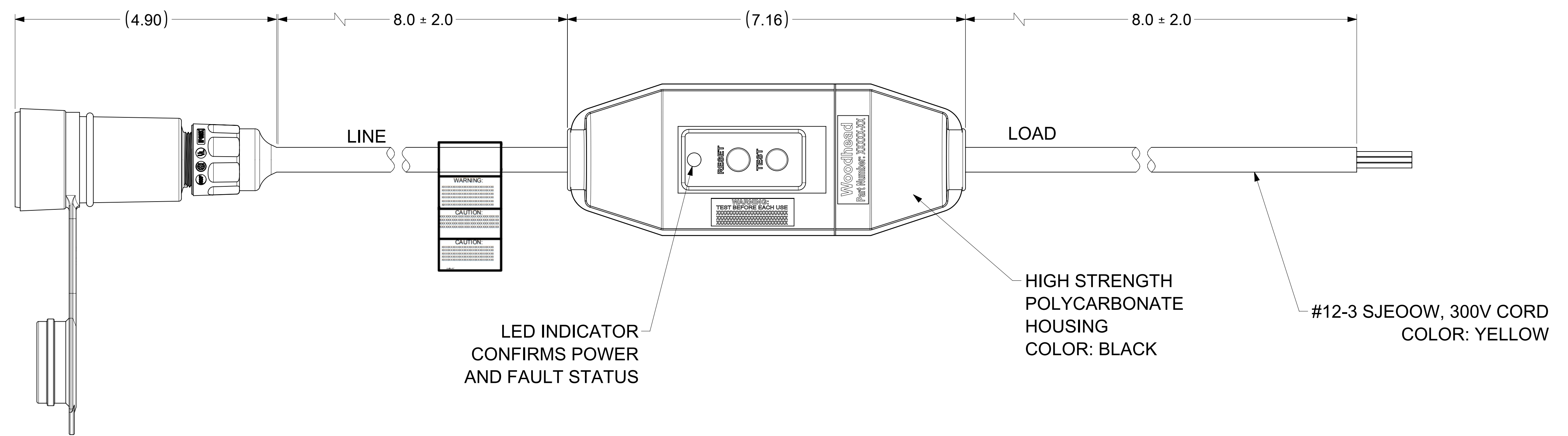


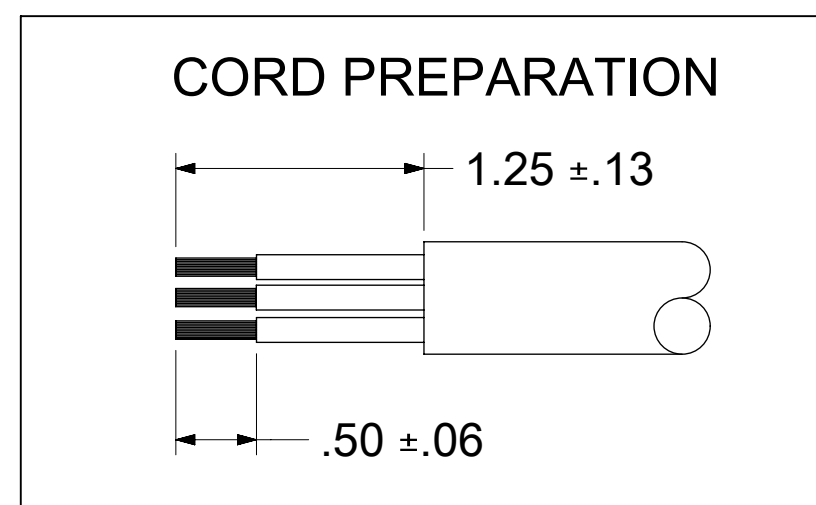
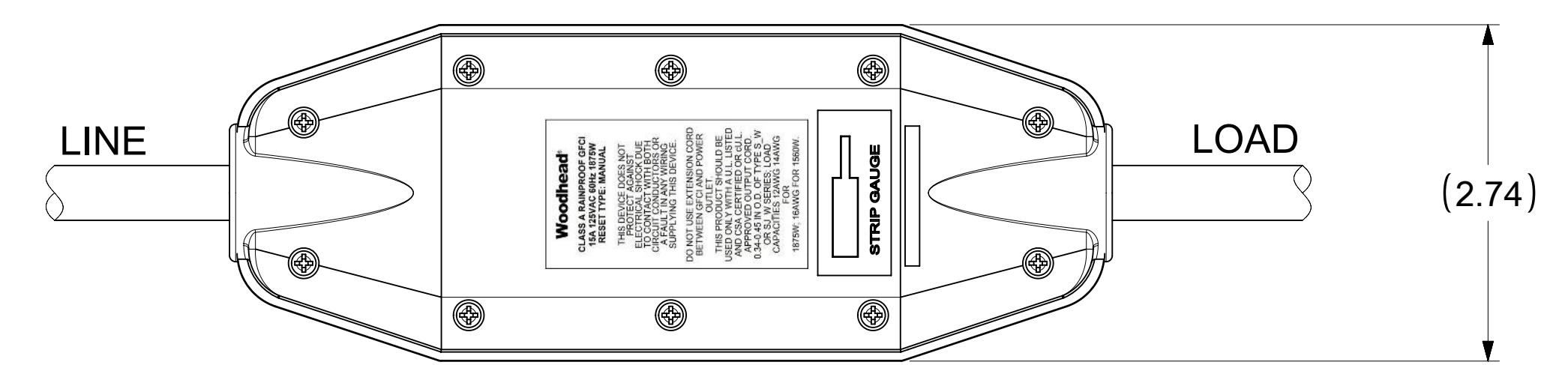
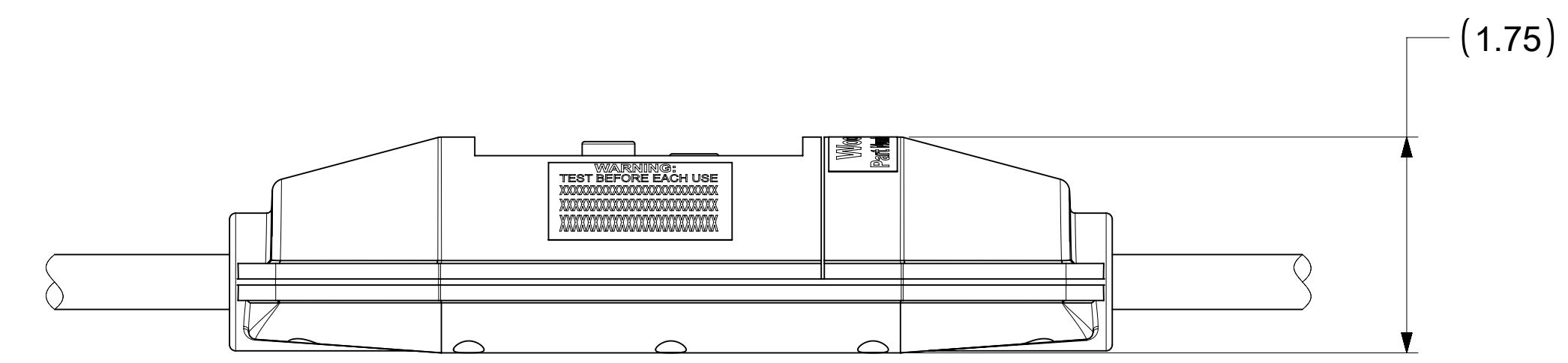
YELLOW 15W47  
NEMA 5-15



LED INDICATOR  
CONFIRMS POWER  
AND FAULT STATUS

HIGH STRENGTH  
POLYCARBONATE  
HOUSING  
COLOR: BLACK

#12-3 SJEOOW, 300V CORD  
COLOR: YELLOW



THIS PRODUCT IS NOT UL LISTED

**GFCI TECHNICAL SPECIFICATIONS:**  
 RATED SUPPLY VOLTAGE: 125 VAC  
 RATED CURRENT: UP TO 15 AMPS OR CABLE RATING  
 RESET TYPE: AUTOMATIC OR MANUAL  
 OPERATING FREQUENCY: 60 Hz  
 TYPE: CLASS A  
 GROUND TRIP CURRENT: 4-6 mA  
 OVERLOAD CURRENT: 90 AMP 125 VAC  
 INSULATION VOLTAGE: 1,500 VRMS - 1 MINUTE  
 ENDURANCE OPERATIONS: 3000 OPERATIONS

FUNCTIONAL SYMBOLS $\nabla_A = 0$ $\nabla_C = 0$ $\nabla_P = 0$ DIVISIONAL SYMBOLS	THIS DRAWING CONTAINS INFORMATION THAT IS PROPRIETARY TO MOLEX ELECTRONIC TECHNOLOGIES, LLC AND SHOULD NOT BE USED WITHOUT WRITTEN PERMISSION		CURRENT REV DESC: MIGRATION TO ECTR/NX		
	DIMENSION UNITS	SCALE			
	INCH	NTS	15A/125V MANUAL GFCI 15W47 CONNECTOR 8 FT SJEOOW FLYING LEADS		
	GENERAL TOLERANCES (UNLESS SPECIFIED)		EC NO: 686220 DRWN: VBASUTHKARP 2021/08/31 CHK'D: DNGUYEN62 2021/12/01 APPR: HKNEELAN 2022/01/04		
	ANGULAR TOL ± 0.5°		PRODUCT CUSTOMER DRAWING DOCUMENT NUMBER: SD-130135-0275 DOC TYPE: PSD DOC PART: 001 REVISION: A1		
4 PLACES ±		INITIAL REVISION:		MATERIAL NUMBER: 1301530275 CUSTOMER: GENERAL MARKET SHEET NUMBER: 1 OF 1	
3 PLACES ±		DRWN: BPATTERS 2017/05/24 APPR: HKNEELAN 2017/06/02			
2 PLACES ± 0.05		DRAFT WHERE APPLICABLE		D-SIZE 130153	
1 PLACE ± 0.1		MUST REMAIN WITHIN DIMENSIONS			
0 PLACES ±		THIRD ANGLE PROJECTION			