



TE Internal #: 603504-2  
 Splices, Butt Splice, 12 – 10 AWG Wire Size, 3 – 6 mm<sup>2</sup> Wire Size,  
 Sealable, .24 in [6.1 mm] Barrel Inside Diameter, 5180 – 13100 CMA  
 Wire Size, Copper

[View on TE.com >](#)

Terminals & Splices > Splices



Wire Size: 3 – 6 mm<sup>2</sup>

Sealable: **Yes**

Compatible Insulation Diameter Range: 6.1 mm [ .24 in ]

Barrel Inside Diameter: 6.1 mm [ .24 in ]

### Features

#### Product Type Features

Sealable	Yes
Splice Type	Butt Splice
Compatible With Discrete Wire Type	Stranded
Wire Insulation Support Retention Type	Insulation Support

#### Configuration Features

Compatible With Wire & Cable Type	Discrete Wire
-----------------------------------	---------------

#### Electrical Characteristics

Operating Voltage	600 V
-------------------	-------

#### Body Features

Insulation Type	Pre-Insulated
	.007 oz
Insulation Material	Nylon
Primary Product Color	Yellow

#### Contact Features

Terminal Plating Material	Tin
---------------------------	-----



Contact Base Material	Copper
-----------------------	--------

Barrel Type	Closed
-------------	--------

### Mechanical Attachment

Wire Insulation Support	With
-------------------------	------

### Dimensions

Recovered Inside Diameter	2.92 mm[.115 in]
---------------------------	------------------

Outside Diameter	6.35 mm[.25 in]
------------------	-----------------

Wire Size	5180 – 13100 CMA
-----------	------------------

Compatible Insulation Diameter Range	6.1 mm[.24 in]
--------------------------------------	----------------

Barrel Inside Diameter	6.1 mm[.24 in]
------------------------	----------------

Product Length	47.5 mm[1.87 in]
----------------	------------------

### Usage Conditions

Insulation Option	Fully Insulated
-------------------	-----------------

Operating Temperature Range	-55 – 125 °C[-67 – 257 °F]
-----------------------------	----------------------------

### Industry Standards

Government Qualified Splice	No
-----------------------------	----

### Packaging Features

Packaging Quantity	50
--------------------	----

Packaging Method	Loose Piece
------------------	-------------

### Product Compliance

[For compliance documentation, visit the product page on TE.com>](#)

EU RoHS Directive 2011/65/EU	Compliant
------------------------------	-----------

EU ELV Directive 2000/53/EC	Compliant
-----------------------------	-----------

China RoHS 2 Directive MIIT Order No 32, 2016	No Restricted Materials Above Threshold
---	---

EU REACH Regulation (EC) No. 1907/2006	Current ECHA Candidate List: JUNE 2023 (235) Candidate List Declared Against: JAN 2022 (223) Does not contain REACH SVHC
--	--

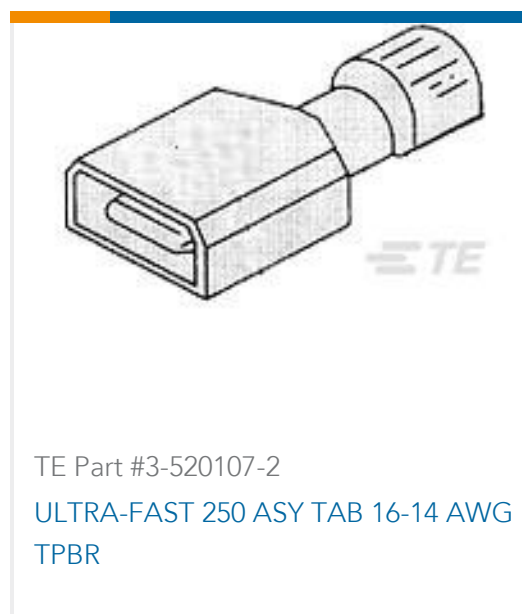
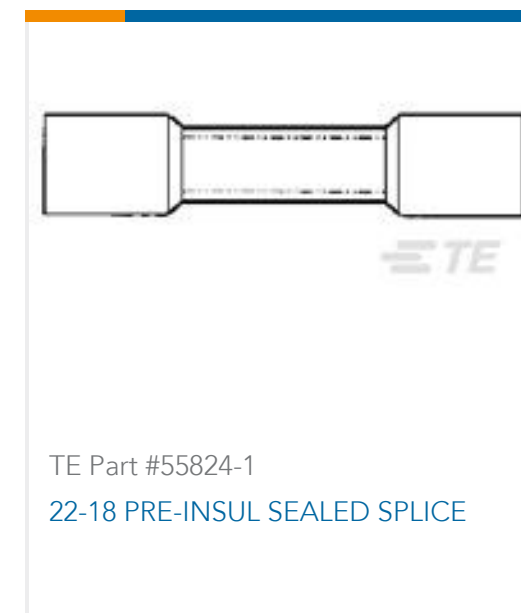
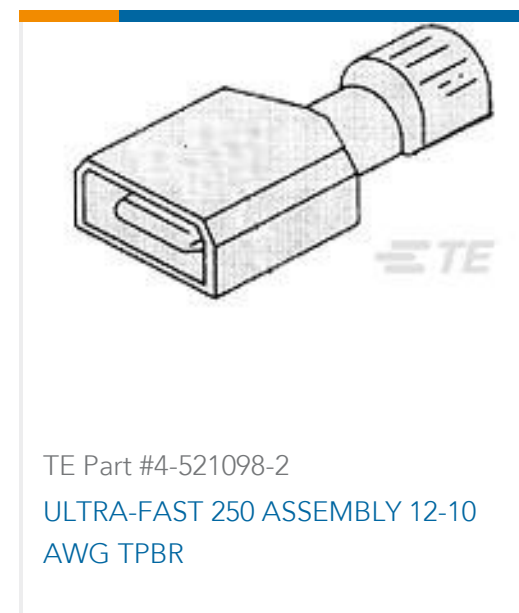
Halogen Content	Not Yet Reviewed for halogen content
-----------------	--------------------------------------

Solder Process Capability	Not applicable for solder process capability
---------------------------	--

Product Compliance Disclaimer

This information is provided based on reasonable inquiry of our suppliers and represents our current actual knowledge based on the information they provided. This information is subject to change. The part numbers that TE has identified as EU RoHS compliant have a maximum concentration of 0.1% by weight in homogenous materials for lead, hexavalent chromium, mercury, PBB, PBDE, DBP, BBP, DEHP, DIBP, and 0.01% for cadmium, or qualify for an exemption to these limits as defined in the Annexes of Directive 2011/65/EU (RoHS2). Finished electrical and electronic equipment products will be CE marked as required by Directive 2011/65/EU. Components may not be CE marked. Additionally, the part numbers that TE has identified as EU ELV compliant have a maximum concentration of 0.1% by weight in homogenous materials for lead, hexavalent chromium, and mercury, and 0.01% for cadmium, or qualify for an exemption to these limits as defined in the Annexes of Directive 2000/53/EC (ELV). Regarding the REACH Regulation, the information TE provides on SVHC in articles for this part number is based on the latest European Chemicals Agency (ECHA) 'Guidance on requirements for substances in articles' posted at this URL: <https://echa.europa.eu/guidance-documents/guidance-on-reach>

## Customers Also Bought



## Documents

### Product Drawings

12-10 PRE-INSUL SEALED SPLICE

English

### CAD Files

3D PDF

3D



**Customer View Model**

[ENG\\_CVM\\_CVM\\_603504-2\\_K.2d\\_dxf.zip](#)

English

**Customer View Model**

[ENG\\_CVM\\_CVM\\_603504-2\\_K.3d\\_igs.zip](#)

English

**Customer View Model**

[ENG\\_CVM\\_CVM\\_603504-2\\_K.3d\\_stp.zip](#)

English

**Customer View Model**

[ENG\\_CVM\\_603504-2\\_N.3d\\_igs.zip](#)

English

**Customer View Model**

[ENG\\_CVM\\_603504-2\\_N.3d\\_stp.zip](#)

English

**Customer View Model**

[ENG\\_CVM\\_603504-2\\_N.2d\\_dxf.zip](#)

English

**3D PDF**

English

By downloading the CAD file I accept and agree to the [Terms and Conditions](#) of use.

**Datasheets & Catalog Pages**

[RADIATION\\_RESISTANT\\_PRE-INSULATED\\_TERMINALS\\_SPLICES](#)

English