

927773-3 ✓ ACTIVE

AMP | Junior Power Timer

TE Internal #: 927773-3

Automotive Terminals, Receptacle, Mating Tab Width 2.8 mm [.11 in], Tab Thickness .8 mm [.031 in], 17 – 13 AWG Wire Size, Junior Power Timer

[View on TE.com >](#)



Terminals & Splices > Automotive Terminals > TIMER, RECEPTACLE AND TAB



Terminal Type: **Receptacle**

Mating Tab Width: **2.8 mm [.11 in]**

Mating Tab Thickness: **.8 mm [.031 in]**

Terminal Transmits: **25 – 40 A (Power)**

Wire Size: **17 – 13 AWG**

[All TIMER, RECEPTACLE AND TAB \(348\)](#)

Features

Product Type Features

| | |
|-------------------------|---------------|
| Receptacle Style | 180° |
| Sealable | No |
| Primary Locking Feature | Locking Lance |

Contact Features

| | |
|--|------------------|
| Contact Size | 2.8mm |
| Contact Fabrication | Stamped & Formed |
| Wire Contact Termination Area Plating Material | Tin |
| Typical Current Rating | 30 A |
| Crimp Type | F-Crimp |
| Terminal Type | Receptacle |
| Mating Tab Width | 2.8 mm [.11 in] |
| Mating Tab Thickness | .8 mm [.031 in] |
| Interface Plating | Tin (Sn) |

Termination Features

| | |
|------------------------------------|-------|
| Termination Method to Wire & Cable | Crimp |
| Product Terminates To | Wire |



Dimensions

| | |
|--------------------------------------|--|
| Compatible Insulation Diameter Range | 2.7 – 4.1 mm [.106 – .161 in] |
| Wire Size | 1 – 2.5 mm ² |
| Wire Size Search | 13 AWG, 14 AWG, 15 AWG, 16 AWG, 17 AWG |

Usage Conditions

| | |
|-----------------------------|--|
| Insulation Option | Uninsulated |
| Operating Temperature (Max) | 80 °C, 85 °C, 90 °C, 100 °C, 105 °C, 110 °C, 120 °C, 125 °C, 130 °C [176 °F][185 °F][194 °F][212 °F][221 °F][230 °F][248 °F][257 °F][266 °F] |
| Operating Temperature Range | -40 – 130 °C [-40 – 266 °F] |

Operation/Application

| | |
|------------------------------------|--------|
| Compatible With Wire Base Material | Copper |
|------------------------------------|--------|

Packaging Features

| | |
|--------------------|------|
| Packaging Quantity | 3000 |
| Packaging Method | Reel |

Other

| | |
|--------------------|-------------------|
| Terminal Transmits | 25 – 40 A (Power) |
|--------------------|-------------------|

Product Compliance

[For compliance documentation, visit the product page on TE.com>](#)

| | |
|---|--|
| EU RoHS Directive 2011/65/EU | Compliant |
| EU ELV Directive 2000/53/EC | Compliant |
| China RoHS 2 Directive MIIT Order No 32, 2016 | No Restricted Materials Above Threshold |
| EU REACH Regulation (EC) No. 1907/2006 | Current ECHA Candidate List: JUNE 2023 (235) Candidate List Declared Against: JAN 2023 (233) Does not contain REACH SVHC |
| Halogen Content | Low Halogen - Br, Cl, F, I < 900 ppm per homogenous material. Also BFR/CFR/PVC Free |
| Solder Process Capability | Not applicable for solder process capability |

Product Compliance Disclaimer

This information is provided based on reasonable inquiry of our suppliers and represents our current actual knowledge based on the information they provided. This information is subject to change. The part numbers that TE has identified as EU RoHS compliant have a maximum concentration of 0.1% by weight in homogenous materials for lead, hexavalent chromium, mercury, PBB, PBDE, DBP, BBP, DEHP, DIBP, and 0.01% for cadmium, or qualify for an exemption to these limits as defined in the Annexes of Directive 2011/65/EU (RoHS2). Finished electrical and electronic equipment products will be CE marked as required by Directive 2011/65/EU. Components may not be CE marked. Additionally, the part numbers that TE has identified as EU ELV compliant have a maximum concentration of 0.1% by weight in homogenous materials for lead, hexavalent chromium, and mercury, and 0.01% for cadmium, or qualify for an exemption to these limits as defined in the Annexes of Directive 2000/53/EC (ELV). Regarding the REACH Regulation, the information TE provides on SVHC in articles for this part number is based on the latest European Chemicals Agency (ECHA) 'Guidance on requirements for substances in articles' posted at this URL: <https://echa.europa.eu/guidance-documents/guidance-on-reach>

Compatible Parts



TE Part # CAT-T4827-CH8172
Timer Connector Housing



TE Part # 4-1579007-3
EXTRACTION TOOL KIT



TE Part # 1-1579007-6
EXTRACTION TOOL



TE Part # 2305570-1
Strip Terminal Cutter-Side Feed-No Crimp



TE Part # 1-967625-3
JUN-POW-TIM GEH 21P



TE Part # 2-2151356-1
OCEAN_2.0_APPLICATOR-S-110F160F



TE Part # 2-2151356-2
OCEAN_2.0_APPLICATOR-S-110F160F



TE Part # 2151356-1
OCEAN_2.0_APPLICATOR-S-110F160F



TE Part # 2151356-2
OCEAN_2.0_APPLICATOR-S-110F160F




TE Part # 7-2151356-1
OCEAN_2.0_APPLICATOR-S-110F160F



TE Part # 7-2151356-2
OCEAN_2.0_APPLICATOR-S-110F160F



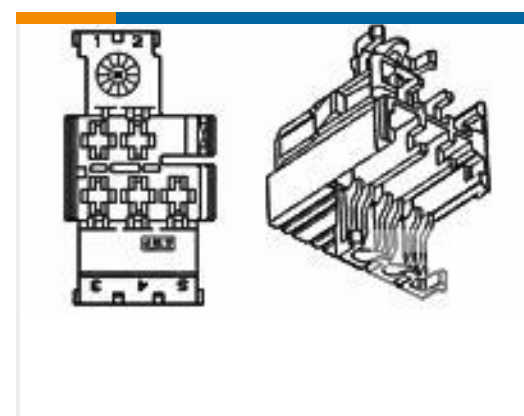
TE Part # 7-2151356-7
OCEAN_2.0_SPARE_PART_KIT-110F160F



TE Part # 2-967623-3
JUN-POW TIM GEH 15P



TE Part # 3-967624-6
JUN-POW-TIM GEH 18P

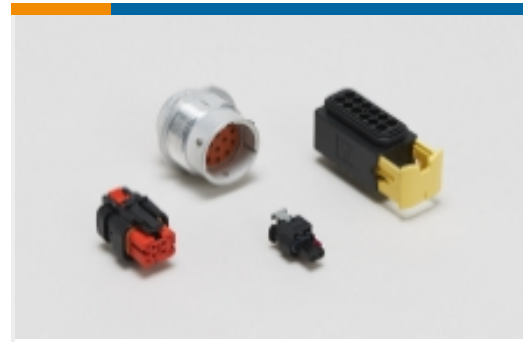


TE Part # 1-282539-3
5 POS. JPT HSG

Also in the Series | Junior Power Timer



Automotive Connector Caps & Covers (5)



Automotive Housings(251)



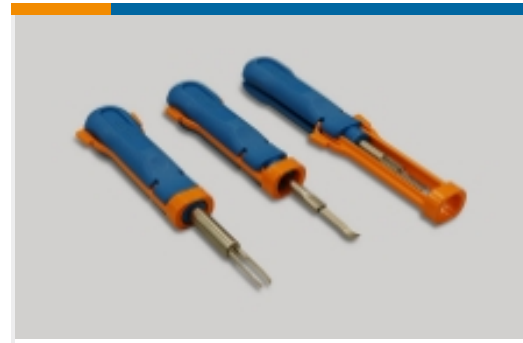
Automotive Seals & Cavity Plugs(10)



Automotive Terminals(86)



Busbars & Terminals(1)



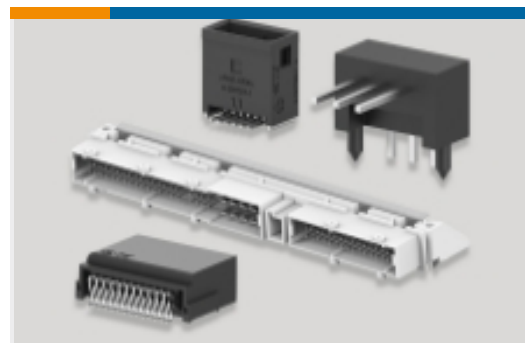
Insertion & Extraction Tools(8)



Module Components(6)



Other Automotive Connector Accessories(1)

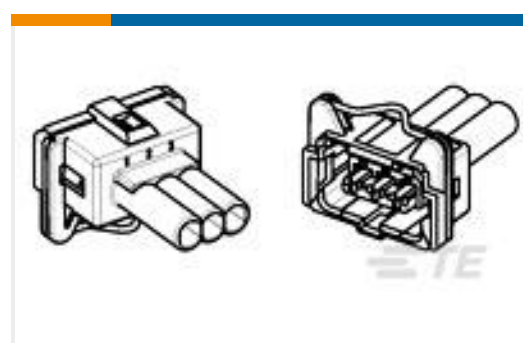


PCB Headers & Receptacles(1)

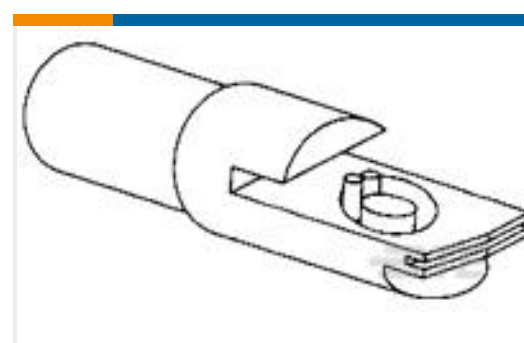
Customers Also Bought



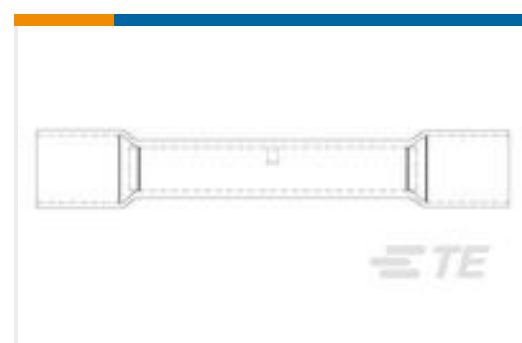
TE Part #1676392-3
RN 0805 604R 0.1% 10PPM 5KRL



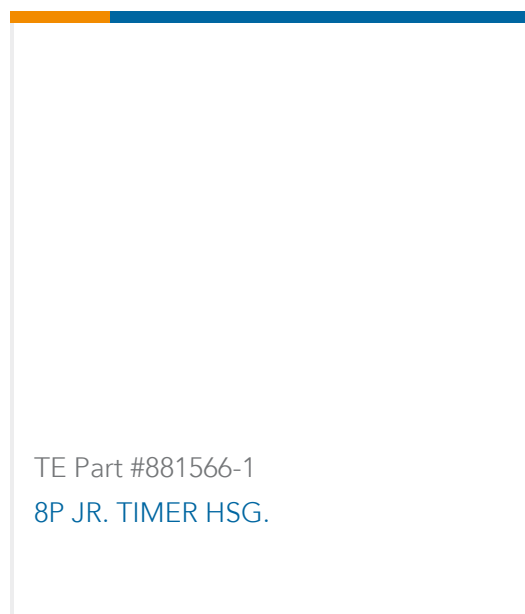
TE Part #444075-1
ASS'Y 2P SP/TIMER



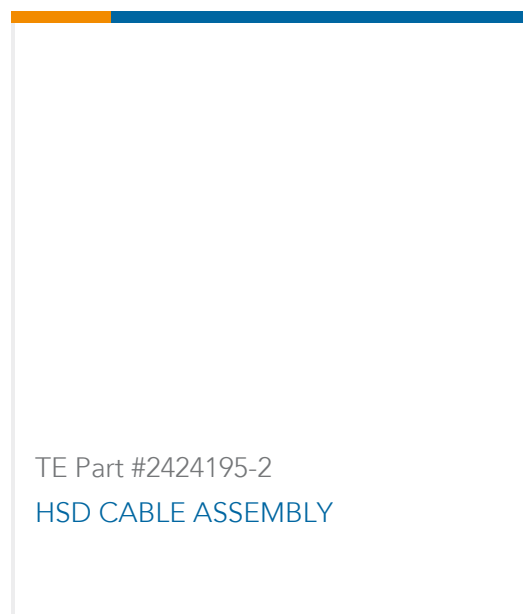
TE Part #606713-1
600 MCM QUICK DISCONNECT



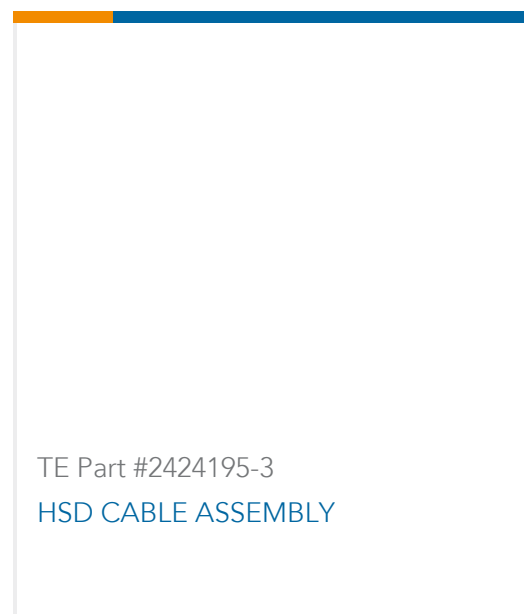
TE Part #183596-1
PRE-INSULATED SEALED SPLICE 22-18



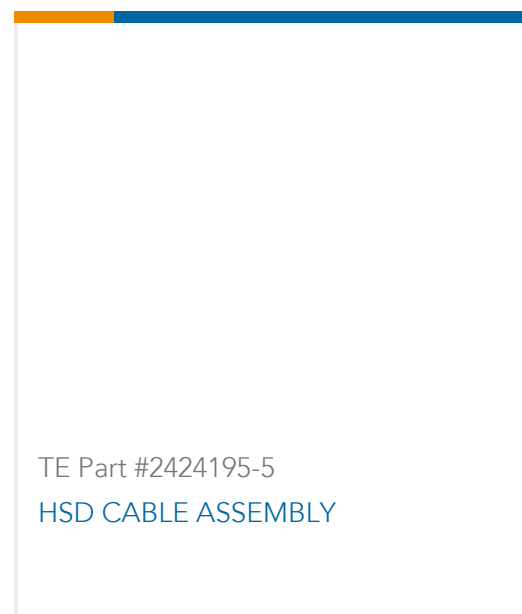
TE Part #881566-1
8P JR. TIMER HSG.



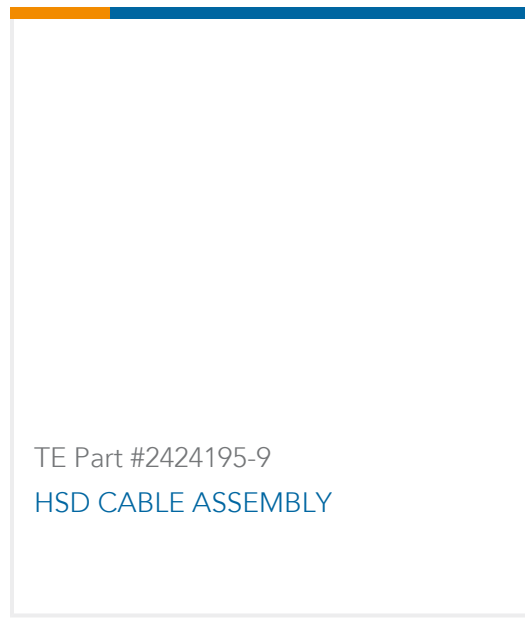
TE Part #2424195-2
HSD CABLE ASSEMBLY



TE Part #2424195-3
HSD CABLE ASSEMBLY



TE Part #2424195-5
HSD CABLE ASSEMBLY



Documents

Product Drawings

[JPT REC 2.8 Contact SRC Sn](#)

English

[JPT REC 2.8 Contact SRC Sn](#)

English

CAD Files

Customer View Model

[ENG_CVM_927773-3_A9.3d_igs.zip](#)

English

Customer View Model

[ENG_CVM_927773-3_A9.3d_stp.zip](#)

English

Customer View Model

[ENG_CVM_927773-3_A9.2d_dxf.zip](#)

English

[3D PDF](#)

English

By downloading the CAD file I accept and agree to the [Terms and Conditions](#) of use.

Datasheets & Catalog Pages

[Timer Interconnection System](#)

English

Product Specifications

[Application Specification](#)

German

[Application Specification](#)

English