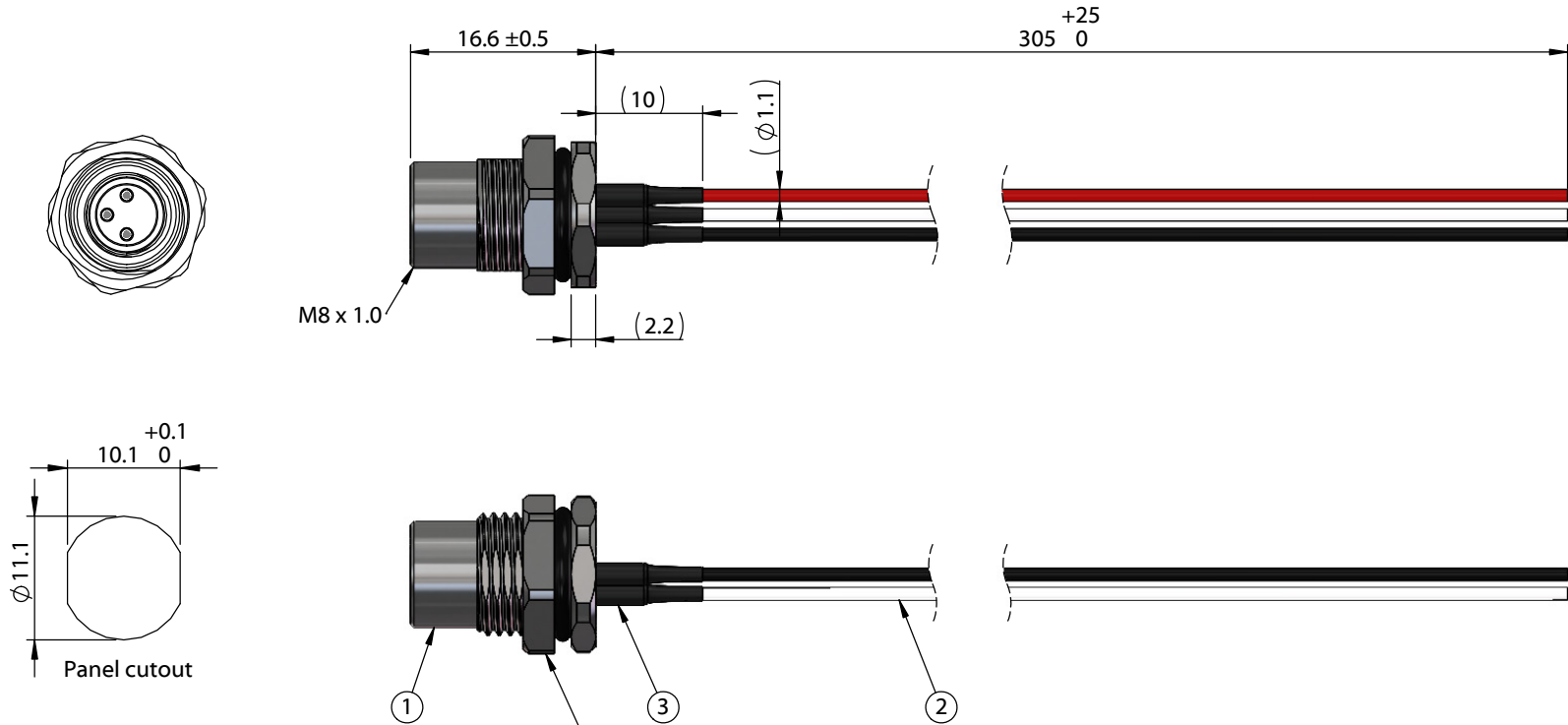


ITEM NO.	PART NUMBER	DESCRIPTION	QTY.	COMPONENT NOTES
1	54-00292	Connector, 3 pin M8 A-code socket, 8x18.7 mm, gold plated, panel mount, solder cup, IP67	1	nut and o-ring included
2	Wire	Wire, hook-up, TS, 24 AWG, UL 11028, 600V, 105C, 1.1 mm, mPPE	3	color: red, black, white
3	Heat shrink	Heat shrink, UL, black	3	covers solder joints



Install from inside the panel, attach nut and tighten from the outside.

**Notes:**  
Cable rated for 60 V, 3 A  
Temperature: -40 ~ 105 °C

IP67 waterproof rating when mated with corresponding (IP67) connector and installed properly in panel

Cables individually packaged in PE bag  
Functionally equivalent components may be substituted



Front View  
Not to Scale

Wiring Diagram	
54-00292	wire color (P/N)
1	red (30-01762)
3	black (30-01763)
4	white (30-01764)

Revision:	Date:	Description:	Prepared: <b>PB</b> <small>Digitally signed by PB Date: 2022.11.10 08:47:40 -08'00'</small>	Notes:	<h1>TENSILITY</h1> <p>tel 1.541.323.3228 800 877.670.7118 fax 1.541.323.4202 web tensility.com</p>
A	11/1/2022	Initial release	Verified: <b>JD</b> <small>Digitally signed by JD Date: 2022.11.10 10:25:55 -08'00'</small>	RoHS compliant	
			Dimensions are in millimeters. Tolerances: X: ± 0.5 mm X.X: ± 0.3 mm X.XX: ± 0.05 mm	Function test: no open, no short circuit, no intermittent	
				Description: Cable, 305 mm, M8 3C socket panel mount 54-00292 to blunt cut, 24 AWG, UL 11028 hook-up wire	
				Size: A Part number: 10-05247	
				Scale: 1.5:1	Sheet 1 of 1

5

4

3

2

1