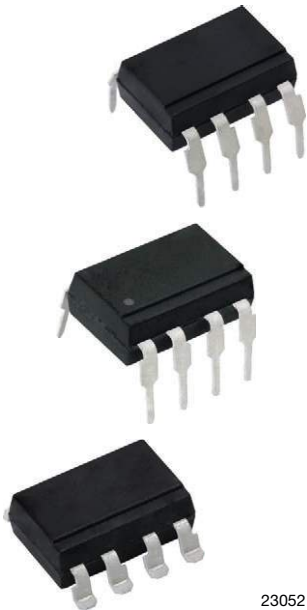
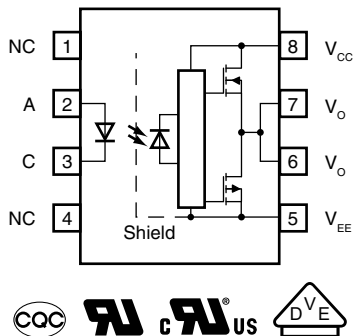


## 2.5 A Output Current IGBT and MOSFET Driver



23052



### DESCRIPTION

The VOD3120A consists of a AlGaAs LED optically coupled to an integrated circuit with a power output stage. This optocoupler is ideally suited for driving power IGBTs and MOSFETs used in motor control inverter applications. The high operating voltage range of the output stage provides the drive voltages required by gate controlled devices. The VOD3120A is ideally suited for directly driving IGBTs with ratings up to 1200 V / 100 A. For IGBTs with higher ratings, the VOD3120A can be used to drive a discrete power stage which drives the IGBT gate.

### FEATURES

- 2.5 A minimum peak output current
- Rail-to-rail output stage
- 50 kV/ $\mu$ s common mode rejection ratio
- Wide operating range of 15 V to 30 V
- Industrial temperature range of -40 °C to +105 °C
- Material categorization: for definitions of compliance please see [www.vishay.com/doc?99912](http://www.vishay.com/doc?99912)



### APPLICATIONS

- Isolated IGBT / MOSFET gate driver
- AC and brushless DC motor drives
- Induction stove top
- Industrial inverters
- Uninterruptible power supplies (UPS)

### AGENCY APPROVALS

- [UL 1577](#)
- [cUL](#)
- [DIN EN 60747-5-5 \(VDE 0884\) and reinforced insulation rating available with option "V"](#)
- [CQC](#)

### LINKS TO ADDITIONAL RESOURCES





ORDERING INFORMATION	
<div style="display: flex; justify-content: space-around; align-items: center;"> <div style="border: 1px solid black; padding: 2px 5px;">V</div> <div style="border: 1px solid black; padding: 2px 5px;">O</div> <div style="border: 1px solid black; padding: 2px 5px;">D</div> <div style="border: 1px solid black; padding: 2px 5px;">3</div> <div style="border: 1px solid black; padding: 2px 5px;">1</div> <div style="border: 1px solid black; padding: 2px 5px;">2</div> <div style="border: 1px solid black; padding: 2px 5px;">0</div> <div style="border: 1px solid black; padding: 2px 5px;">A</div> <div style="border: 1px solid black; padding: 2px 5px;">#</div> <div style="border: 1px solid black; padding: 2px 5px;">-</div> <div style="border: 1px solid black; padding: 2px 5px;">V</div> <div style="border: 1px solid black; padding: 2px 5px;">T</div> <div style="border: 1px solid black; padding: 2px 5px;">#</div> </div>	
PART NUMBER	PACKAGE OPTION
VDE OPTION	TAPE AND REEL
<b>AGENCY CERTIFIED / PACKAGE</b>	<b>CMR (kV/μs)</b>
<b>UL, cUL, CQC</b>	<b>35</b>
DIP-8	VOD3120AD
DIP-8, 400 mil	VOD3120AG
SMD-8	VOD3120AB-T
SMD-8, 180° orientation	VOD3120AB-T2
<b>VDE, UL, cUL, CQC</b>	<b>35</b>
DIP-8	VOD3120AD-V
DIP-8, 400 mil	VOD3120AG-V
SMD-8	VOD3120AB-VT
SMD-8, 180° orientation	VOD3120AB-VT2

TRUTH TABLE			
LED	HIGH SIDE	LOW SIDE	V <sub>0</sub>
Off	Off	On	Low
On	On	Off	High

ABSOLUTE MAXIMUM RATINGS (T <sub>amb</sub> = 25 °C, unless otherwise specified)				
PARAMETER	TEST CONDITION	SYMBOL	VALUE	UNIT
<b>INPUT</b>				
Forward current		I <sub>F</sub>	20	mA
Peak transient input current	≤ 1 μs pulse width, 300 pps	I <sub>F(TRAN)</sub>	1	A
Reverse input voltage		V <sub>R</sub>	5	V
Input current (rise / fall time) <sup>(1)</sup>		t <sub>r(in)</sub> / t <sub>f(in)</sub>	500	ns
Output power dissipation		P <sub>diss</sub>	45	mW
<b>OUTPUT</b>				
High peak output current <sup>(2)</sup>		I <sub>OH(PEAK)</sub>	2.5	A
Low peak output current <sup>(2)</sup>		I <sub>OL(PEAK)</sub>	2.5	A
Supply voltage		(V <sub>CC</sub> - V <sub>EE</sub> )	0 to +35	V
Output voltage		V <sub>O(PEAK)</sub>	35	V
Output power dissipation		P <sub>diss</sub>	250	mW
Junction temperature		T <sub>j</sub>	125	°C
<b>OPTOCOUPLER</b>				
Storage temperature range		T <sub>S</sub>	-55 to +125	°C
Ambient operating temperature range		T <sub>amb</sub>	-40 to +105	°C
Total power dissipation		P <sub>tot</sub>	295	mW
Soldering temperature		T <sub>slid</sub>	260	°C

**Notes**

- Stresses in excess of the absolute maximum ratings can cause permanent damage to the device. Functional operation of the device is not implied at these or any other conditions in excess of those given in the operational sections of this document. Exposure to absolute maximum ratings for extended periods of the time can adversely affect reliability
- <sup>(1)</sup> The rise and fall times of the forward current should be less than 500 ns
- <sup>(2)</sup> Exponential waveform, pulse width ≤ 0.3 μs, f ≤ 15 kHz



RECOMMENDED OPERATING CONDITION				
PARAMETER	SYMBOL	MIN.	MAX.	UNIT
Operating temperature	$T_{amb}$	-40	+105	°C
Power supply voltage	$V_{CC} - V_{EE}$	15	30	V
Forward current ( $V_O$ in "high" state)	$I_{F(ON)}$	7	16	mA
Forward voltage ( $V_O$ in "low" state)	$V_{F(OFF)}$	0	0.8	V

ELECTRICAL CHARACTERISTICS ( $T_{amb} = 25\text{ °C}$ , unless otherwise specified)						
PARAMETER	TEST CONDITION	SYMBOL	MIN.	TYP.	MAX.	UNIT
<b>INPUT</b>						
Forward voltage	$I_F = 10\text{ mA}$	$V_F$	1.2	1.37	1.8	V
Temperature coefficient of forward voltage	$I_F = 10\text{ mA}$	$\Delta V_F / \Delta T$	-	-1.237	-	mV/°C
Reverse breakdown voltage	$I_R = 10\text{ }\mu\text{A}$	$BV_R$	5	-	-	V
Threshold forward current ( $V_O$ from "low" to "high")	$V_{CC} = 30\text{ V}, V_O < 5\text{ V}$	$I_{FLH}$	-	1.8	5	mA
Threshold forward voltage ( $V_O$ from "high" to "low")	$V_{CC} = 30\text{ V}, V_O > 5\text{ V}$	$V_{FLH}$	0.8	-	-	V
Input capacitance	$f = 1\text{ MHz}, V_F = 0\text{ V}$	$C_{IN}$	-	33	-	pF
<b>OUTPUT</b>						
High level supply current	$I_F = 10\text{ mA}, V_{CC} = 30\text{ V}, V_O = \text{open}$	$I_{CCH}$	-	1.7	3.0	mA
Low level supply current	$I_F = 0\text{ mA}, V_{CC} = 30\text{ V}, V_O = \text{open}$	$I_{CCL}$	-	2.0	3.0	mA
High level output current	$V_O = (V_{CC} - 1.5\text{ V})$	$I_{OH}^{(1)}$	-	-	-1.0	A
	$V_O = (V_{CC} - 4\text{ V})$	$I_{OH}^{(2)}$	-	-	-2.5	A
Low level output current	$V_O = (V_{EE} + 1.5\text{ V})$	$I_{OL}^{(1)}$	1.0	-	-	A
	$V_O = (V_{EE} + 4\text{ V})$	$I_{OL}^{(2)}$	2.5	-	-	A
High level output voltage	$I_F = 10\text{ mA}, I_O = -100\text{ mA}$	$V_{OH}$	$V_{CC} - 0.3\text{ V}$	$V_{CC} - 0.1\text{ V}$	-	V
Low level output voltage	$I_F = 0\text{ mA}, I_O = 100\text{ mA}$	$V_{OL}$	-	$V_{EE} + 0.1\text{ V}$	$V_{EE} + 0.25\text{ V}$	V
UVLO threshold	$V_O > 5\text{ V}, I_F = 10\text{ mA}$	$V_{UVLO+}$	11.0	12.7	13.5	V
	$V_O < 5\text{ V}, I_F = 10\text{ mA}$	$V_{UVLO-}$	9.5	11.2	12.0	V
UVLO hysteresis		$UVLO_{HYS}$	-	1.5	-	V
<b>COUPLER</b>						
Coupling capacitance	$f = 1\text{ MHz}$	$C_{IO}$	-	0.92	-	pF

**Notes**

- All typical values at  $T_{amb} = 25\text{ °C}$  and  $V_{CC} - V_{EE} = 30\text{ V}$ , unless otherwise specified; all minimum and maximum specifications are at recommended operating condition

(1) Maximum pulse width = 50  $\mu\text{s}$

(2) Maximum pulse width = 10  $\mu\text{s}$

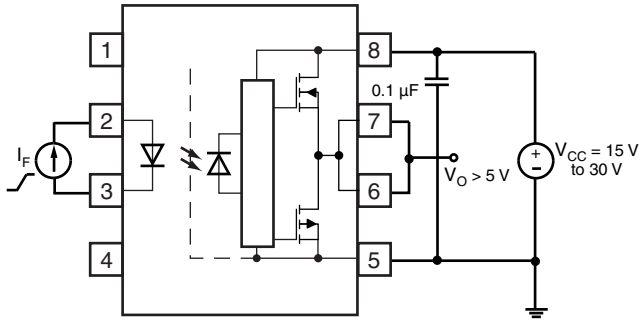
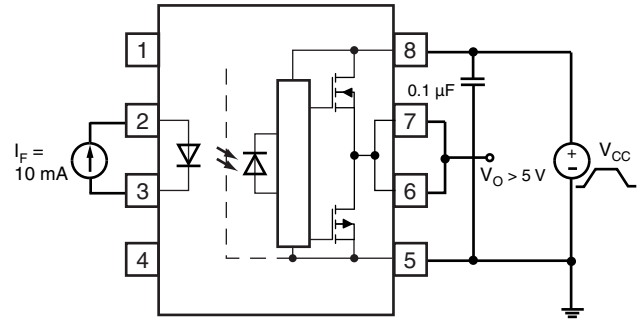
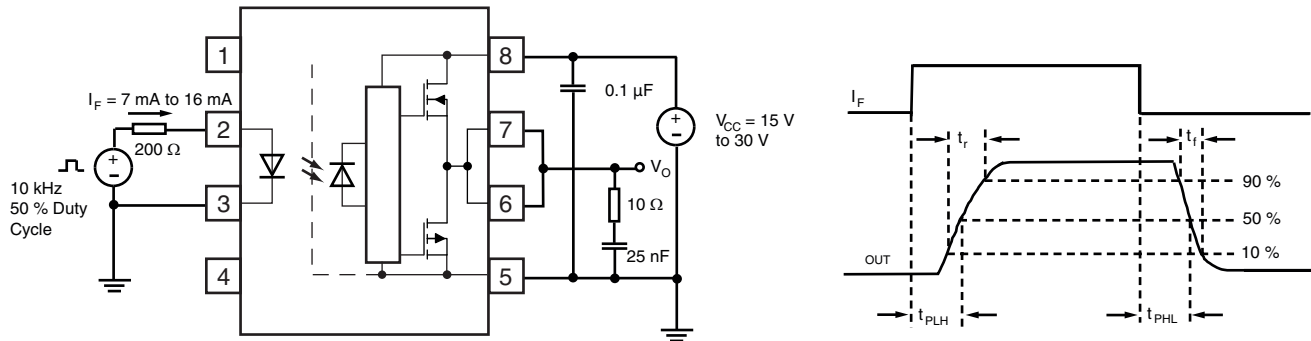
**TEST CIRCUITS**

 Fig. 1 -  $I_{FLH}$  Test Circuit


Fig. 2 - UVLO Test Circuit

<b>SWITCHING CHARACTERISTICS</b> ( $T_{amb} = 25\text{ }^{\circ}\text{C}$ , $V_{CC} - V_{EE} = 30\text{ V}$ unless otherwise specified)						
PARAMETER	TEST CONDITION	SYMBOL	MIN.	TYP.	MAX.	UNIT
Propagation delay time to $V_O = \text{"low"}$	$R_g = 10\ \Omega$ , $C_g = 25\text{ nF}$ , $f = 10\text{ kHz}$ , duty cycle = 50 %, $I_F = 7\text{ mA to }16\text{ mA}$ , $V_{CC} = 10\text{ V to }30\text{ V}$ , $V_{EE} = \text{ground}$	$t_{PHL}$	0.05	0.13	0.5	$\mu\text{s}$
Propagation delay time to $V_O = \text{"high"}$		$t_{PLH}$	0.05	0.13	0.5	$\mu\text{s}$
Pulse width distortion		PWD	-	0.005	0.07	$\mu\text{s}$
Propagation delay difference <sup>(1)</sup>		PDD	-0.1	-	0.1	$\mu\text{s}$
Output rise time (10 % to 90 %)		$t_r$	-	0.035	-	$\mu\text{s}$
Output fall time (90 % to 10 %)		$t_f$	-	0.035	-	$\mu\text{s}$

**Note**

(1) The difference between  $t_{PHL}$  and  $t_{PLH}$  between any two parts, series parts, or channels under same test conditions


 Fig. 3 -  $t_{PLH}$ ,  $t_{PHL}$ ,  $t_r$  and  $t_f$  Test Circuit and Waveforms

<b>COMMON MODE TRANSIENT IMMUNITY</b> ( $T_{amb} = 25\text{ }^{\circ}\text{C}$ , $V_{CC} - V_{EE} = 30\text{ V}$ unless otherwise specified)						
PARAMETER	TEST CONDITION	SYMBOL	MIN.	TYP.	MAX.	UNIT
Common mode transient immunity at high level output ( $V_O = \text{"high"}$ ) <sup>(1)</sup>	$I_F = 10\text{ mA to }16\text{ mA}$ , $V_{CM} = 1500\text{ V}$ , $V_{CC} = 30\text{ V}$	$ CM_H $	35	50	-	$\text{kV}/\mu\text{s}$
Common mode transient immunity at low level output ( $V_O = \text{"low"}$ ) <sup>(2)</sup>	$V_F = 0\text{ V}$ , $V_{CM} = 1500\text{ V}$ , $V_{CC} = 30\text{ V}$	$ CM_L $	35	50	-	$\text{kV}/\mu\text{s}$

**Notes**

- (1)  $CM_H$  is the maximum rate of rise of the common mode voltage that can be sustained with the output voltage in the logic high state ( $V_O > 15\text{ V}$ )  
 (2)  $CM_L$  is the maximum rate of fall of the common mode voltage that can be sustained with the output voltage in the logic low state ( $V_O < 1\text{ V}$ )

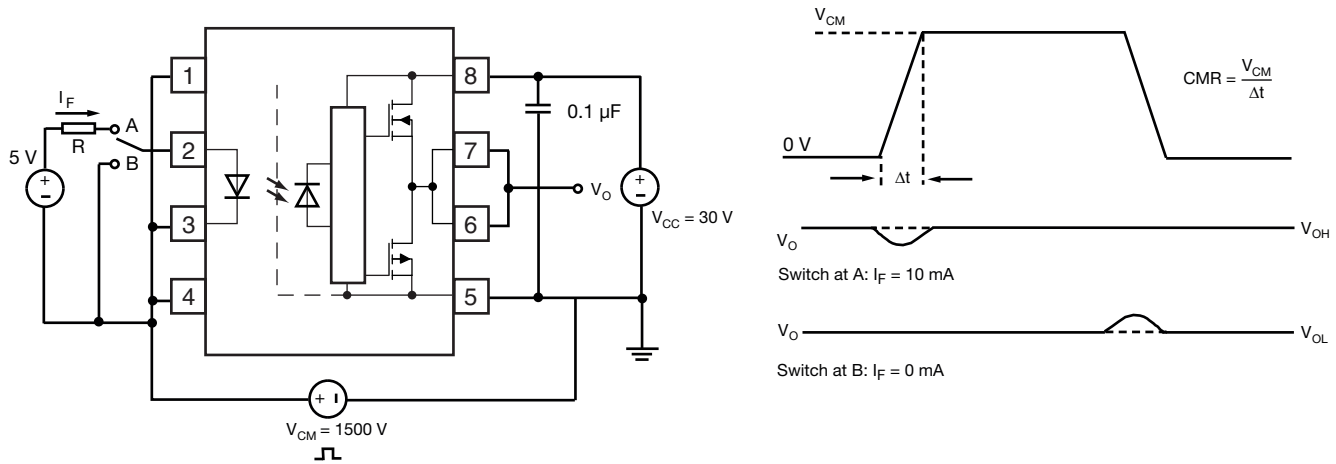


Fig. 4 - CMR Test Circuit and Waveforms

SAFETY AND INSULATION RATINGS ( $T_{amb} = 25\text{ }^{\circ}\text{C}$ , unless otherwise specified)				
PARAMETER	TEST CONDITION	SYMBOL	VALUE	UNIT
Comparative tracking index	Insulation group IIIa	CTI	175	
Maximum rated withstanding isolation voltage	According to UL1577, $t = 1\text{ min}$	$V_{ISO}$	5300	$V_{RMS}$
Maximum transient isolation voltage	According to DIN EN 60747-5-5	$V_{IOTM}$	6000	$V_{peak}$
Maximum repetitive peak isolation voltage	According to DIN EN 60747-5-5	$V_{IORM}$	891	$V_{peak}$
Isolation resistance	$T_{amb} = 25\text{ }^{\circ}\text{C}$ , $V_{IO} = 500\text{ V}$	$R_{IO}$	$10^{12}$	$\Omega$
	$T_{amb} = 100\text{ }^{\circ}\text{C}$ , $V_{IO} = 500\text{ V}$	$R_{IO}$	$10^{11}$	$\Omega$
Output safety power		$P_{SO}$	250	mW
Input safety current		$I_{SI}$	25	mA
Input safety temperature		$T_S$	175	$^{\circ}\text{C}$
Creepage distance	DIP-8, SMD-8		> 7	mm
Clearance distance			> 7	mm
Creepage distance	DIP-8, 400 mil		> 8	mm
Clearance distance			> 8	mm
Insulation thickness		DTI	> 0.4	mm

**Note**

- As per IEC 60747-5-2, §7.4.3.8.1, this optocoupler is reinforced rated and suitable for “safe electrical insulation” only within the safety ratings. Compliance with the safety ratings shall be ensured by means of protective circuits



## TYPICAL CHARACTERISTICS (T<sub>amb</sub> = 25 °C, unless otherwise specified)

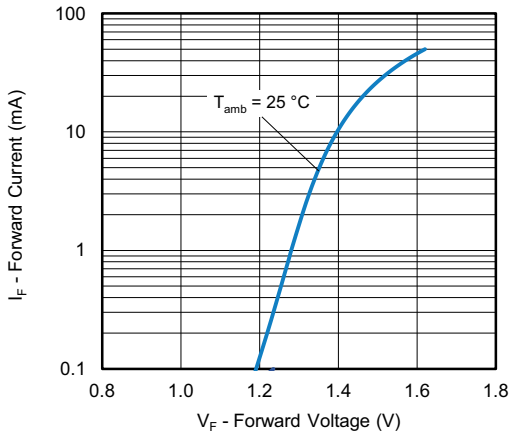


Fig. 5 - Forward Current vs. Forward Voltage

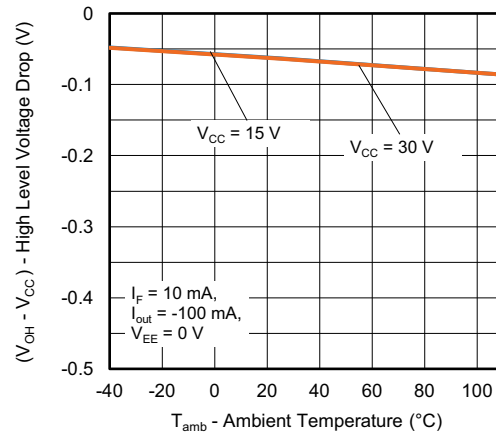


Fig. 8 - High Level Voltage Drop vs. Ambient Temperature

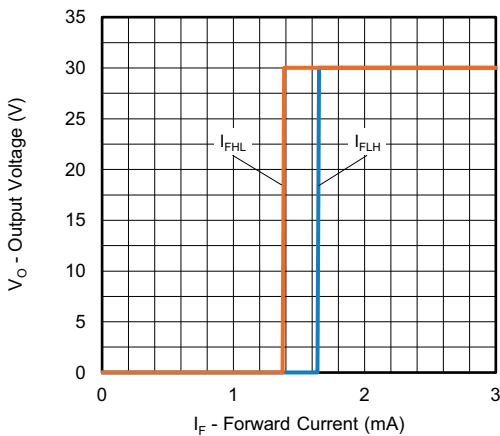


Fig. 6 - Output Voltage vs. Forward Current

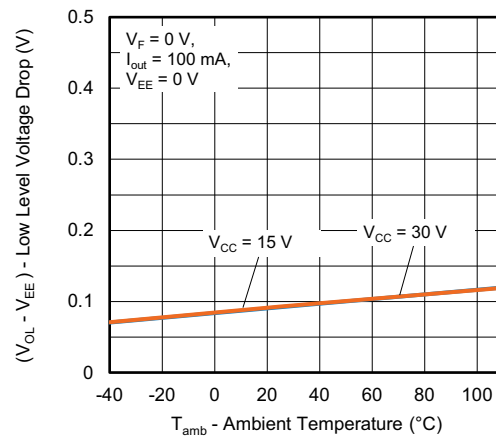


Fig. 9 - Low Level Voltage Drop vs. Ambient Temperature

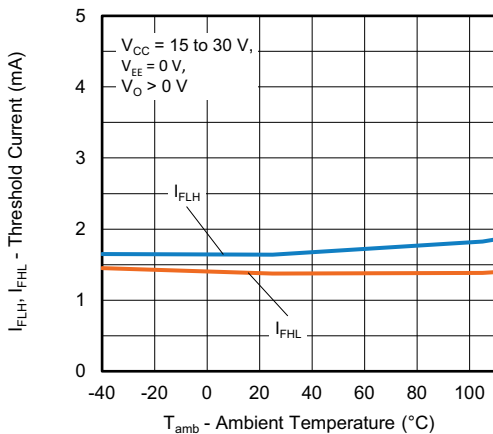


Fig. 7 - Threshold Current vs. Ambient Temperature

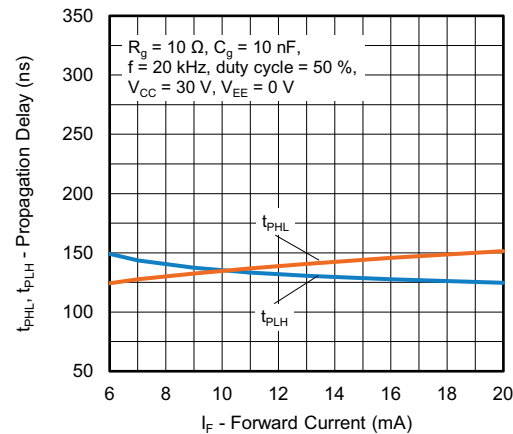


Fig. 10 - Propagation Delay vs. Forward Current

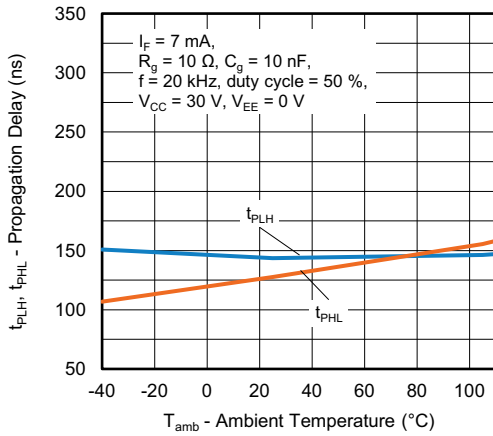


Fig. 11 - Propagation Delay vs. Ambient Temperature

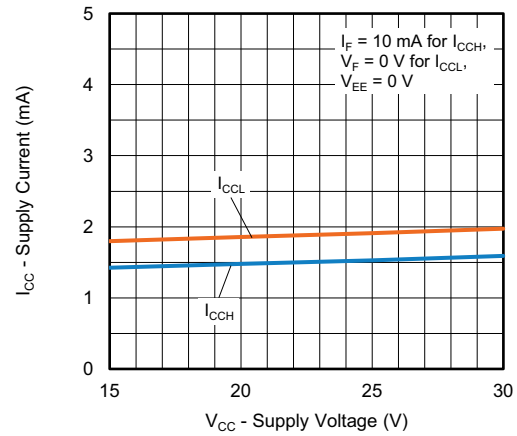


Fig. 13 - Supply Current vs. Supply Voltage

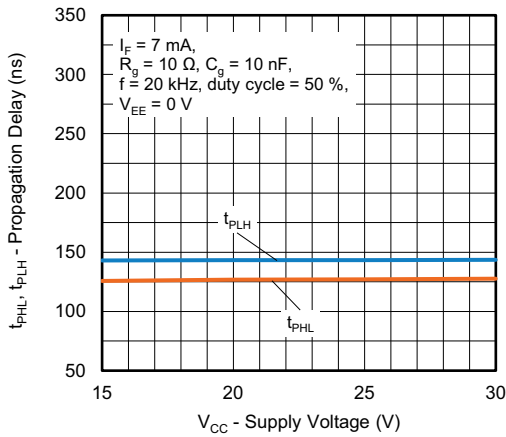


Fig. 12 - Propagation Delay vs. Supply Voltage

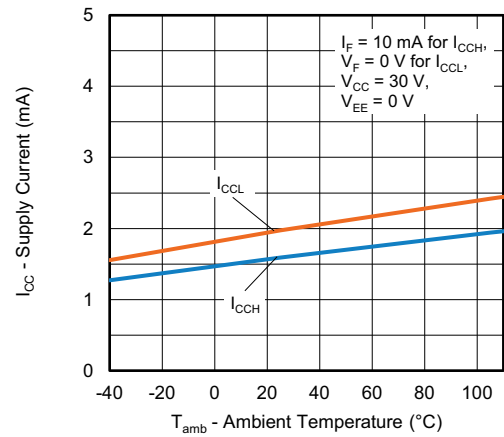


Fig. 14 - Supply Current vs. Ambient Temperature



## PACKAGE DIMENSIONS (in millimeters)

### DIP-8

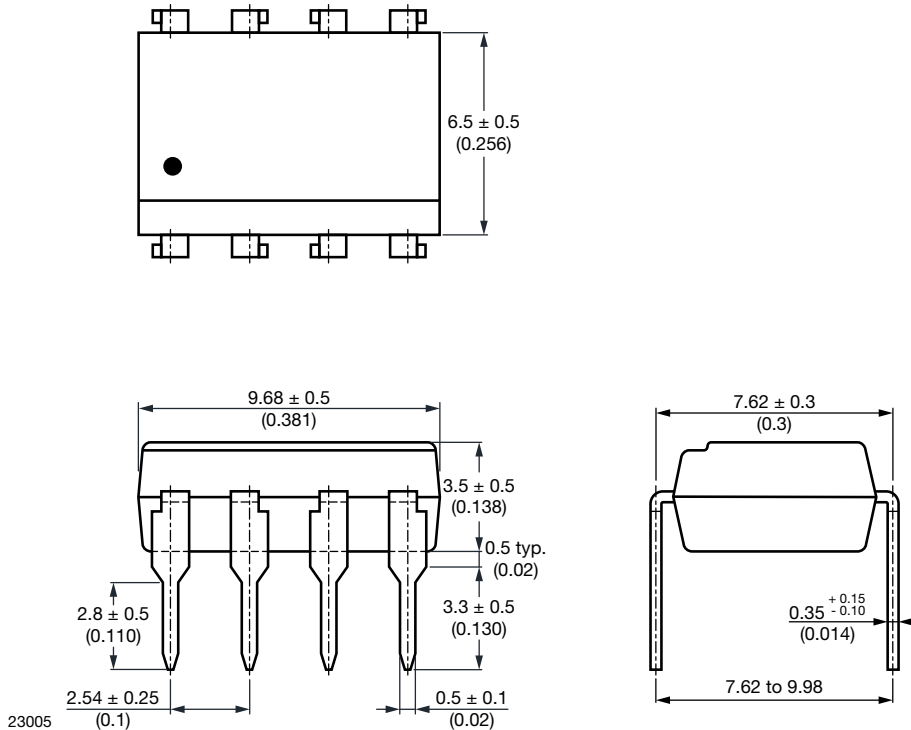


Fig. 15

### DIP-8, 400 mil

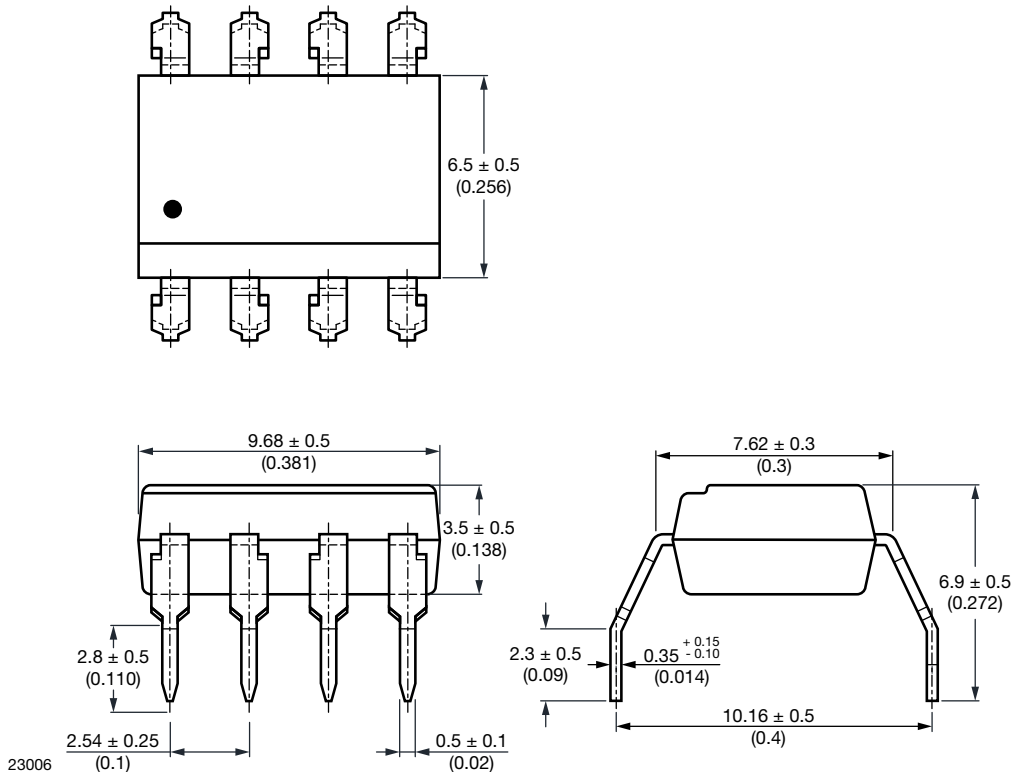




Fig. 16

SMD-8

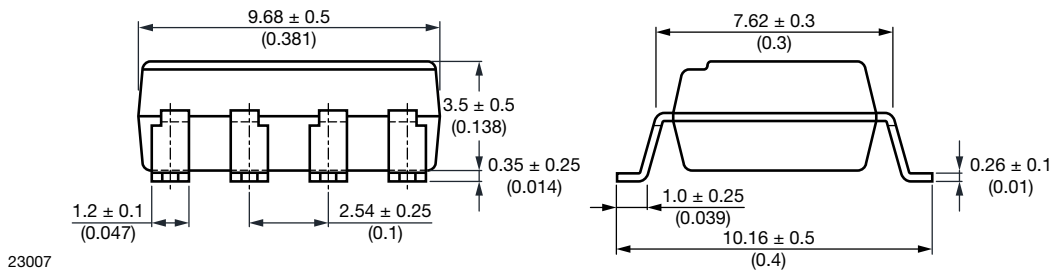
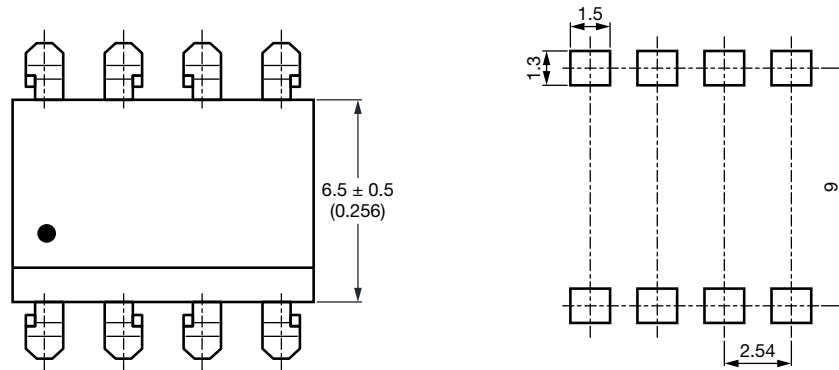


Fig. 17

**PACKAGE MARKING**

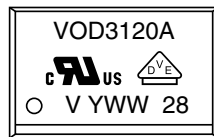


Fig. 18 - Example of VOD3120AB-VT

**Notes**

- “YWW” is the date code marking (Y = year code, WW = week code)
- VDE logo is only marked on VDE option parts
- Tape and reel suffix (T) is not part of the package marking



## PACKAGING INFORMATION (in millimeters)

DEVICES PER TUBES			
TYPE	UNITS/TUBE	TUBES/BOX	UNITS/BOX
DIP-8	50	40	2000
DIP-8, 400 mil	50	40	2000

### SMD-8 Tape

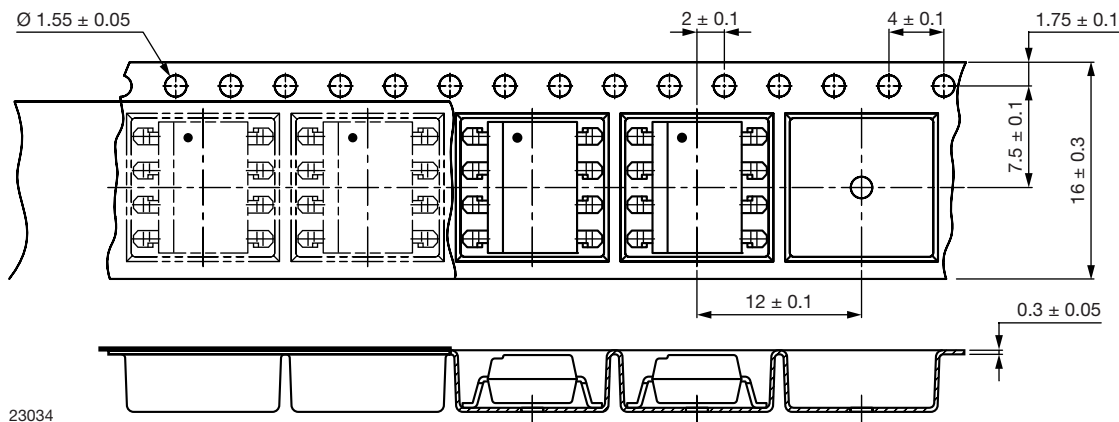


Fig. 19 - Tape and Reel Packaging (1000 pieces on reel)

### SMD-8 Tape, 180° Orientation

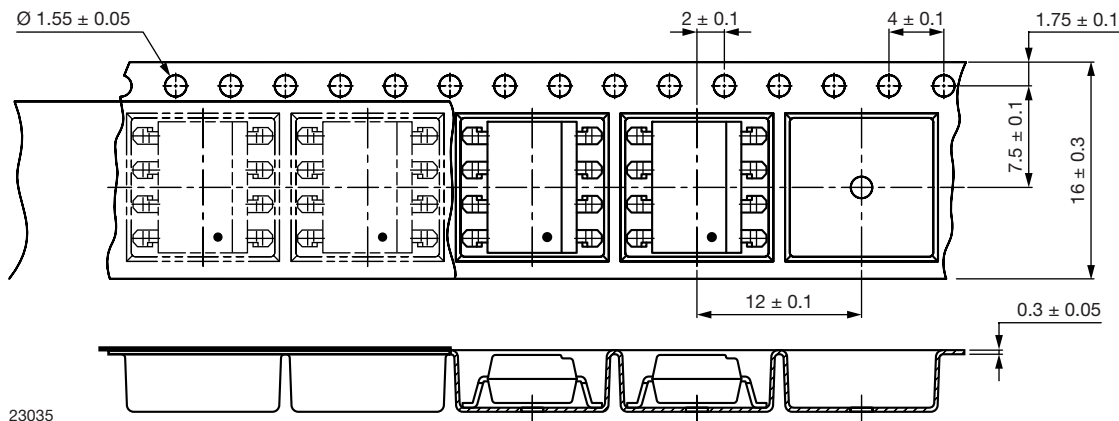


Fig. 20 - Tape and Reel Packaging (1000 pieces on reel)



Reel

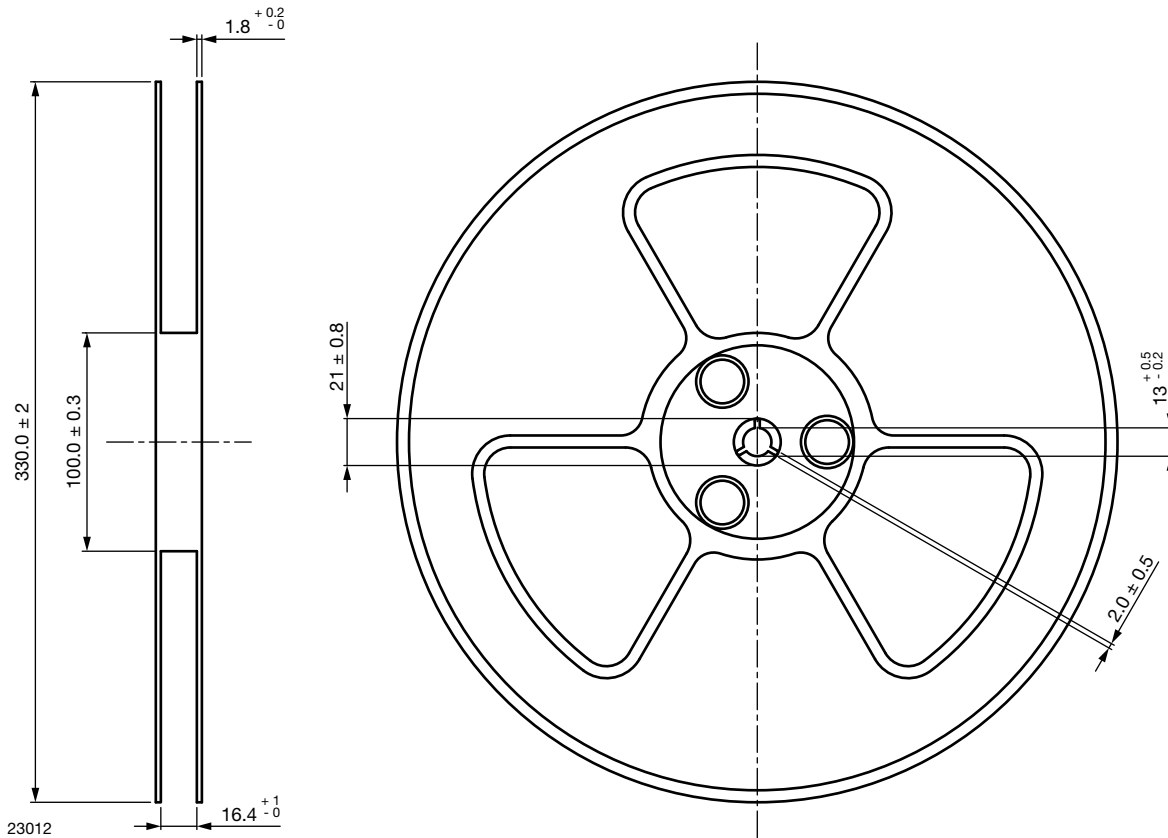


Fig. 21 - Tape and Reel Shipping Medium

**SOLDER PROFILES**
**IR Reflow Soldering (JEDEC® J-STD-020C compliant)**

One time soldering reflow is recommended within the condition of temperature and time profile shown below. Do not solder more than three times.

PROFILE ITEM	CONDITIONS
Preheat	
- Temperature minimum ( $T_{S \text{ min.}}$ )	150 °C
- Temperature maximum ( $T_{S \text{ max.}}$ )	200 °C
- Time (min. to max.) ( $t_s$ )	90 s ± 30 s
Soldering zone	
- Temperature ( $T_L$ )	217 °C
- Time ( $t_L$ )	60 s
Peak temperature ( $T_p$ )	260 °C
Ramp-up rate	3 °C/s max.
Ramp-down rate	3 °C/s to 6 °C/s

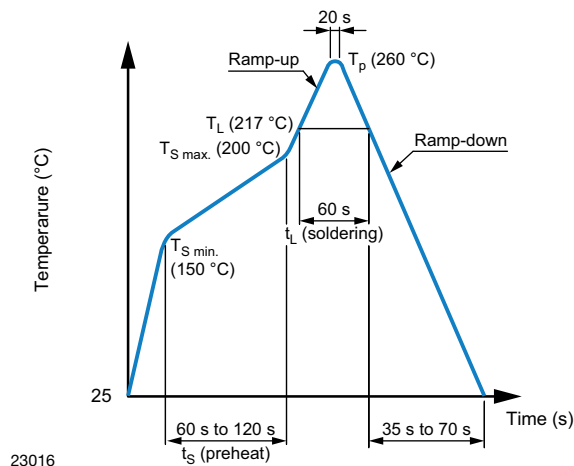


Fig. 1

**Wave Soldering (JEDEC JESD22-A111 compliant)**

One time soldering is recommended within the condition of temperature.

Temperature: 260 °C + 0 °C / - 5 °C

Time: 10 s

Preheat temperature: 25 °C to 140 °C

Preheat time: 30 s to 80 s

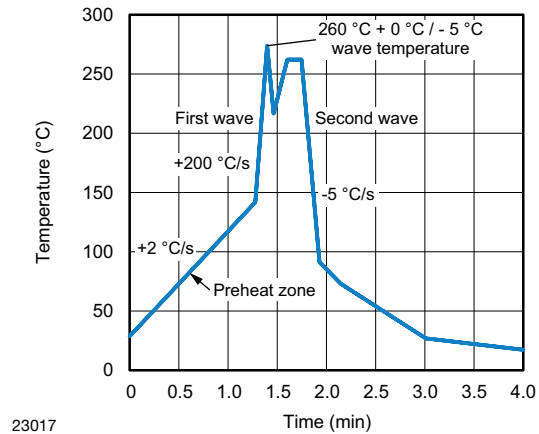


Fig. 2

**Hand Soldering by Soldering Iron**

Allow single lead soldering in every single process. One time soldering is recommended.

Temperature: 380 °C + 0 °C / - 5 °C

Time: 3 s max.

**HANDLING AND STORAGE CONDITIONS**

ESD level: HBM class 2

Floor life: unlimited

Conditions:  $T_{\text{amb}} < 30 \text{ °C}$ , RH < 85 %

Moisture sensitivity level 1, according to J-STD-020



## Disclaimer

ALL PRODUCT, PRODUCT SPECIFICATIONS AND DATA ARE SUBJECT TO CHANGE WITHOUT NOTICE TO IMPROVE RELIABILITY, FUNCTION OR DESIGN OR OTHERWISE.

Vishay Intertechnology, Inc., its affiliates, agents, and employees, and all persons acting on its or their behalf (collectively, "Vishay"), disclaim any and all liability for any errors, inaccuracies or incompleteness contained in any datasheet or in any other disclosure relating to any product.

Vishay makes no warranty, representation or guarantee regarding the suitability of the products for any particular purpose or the continuing production of any product. To the maximum extent permitted by applicable law, Vishay disclaims (i) any and all liability arising out of the application or use of any product, (ii) any and all liability, including without limitation special, consequential or incidental damages, and (iii) any and all implied warranties, including warranties of fitness for particular purpose, non-infringement and merchantability.

Statements regarding the suitability of products for certain types of applications are based on Vishay's knowledge of typical requirements that are often placed on Vishay products in generic applications. Such statements are not binding statements about the suitability of products for a particular application. It is the customer's responsibility to validate that a particular product with the properties described in the product specification is suitable for use in a particular application. Parameters provided in datasheets and / or specifications may vary in different applications and performance may vary over time. All operating parameters, including typical parameters, must be validated for each customer application by the customer's technical experts. Product specifications do not expand or otherwise modify Vishay's terms and conditions of purchase, including but not limited to the warranty expressed therein.

Hyperlinks included in this datasheet may direct users to third-party websites. These links are provided as a convenience and for informational purposes only. Inclusion of these hyperlinks does not constitute an endorsement or an approval by Vishay of any of the products, services or opinions of the corporation, organization or individual associated with the third-party website. Vishay disclaims any and all liability and bears no responsibility for the accuracy, legality or content of the third-party website or for that of subsequent links.

Except as expressly indicated in writing, Vishay products are not designed for use in medical, life-saving, or life-sustaining applications or for any other application in which the failure of the Vishay product could result in personal injury or death. Customers using or selling Vishay products not expressly indicated for use in such applications do so at their own risk. Please contact authorized Vishay personnel to obtain written terms and conditions regarding products designed for such applications.

No license, express or implied, by estoppel or otherwise, to any intellectual property rights is granted by this document or by any conduct of Vishay. Product names and markings noted herein may be trademarks of their respective owners.