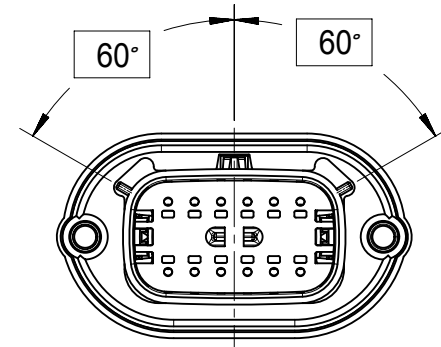
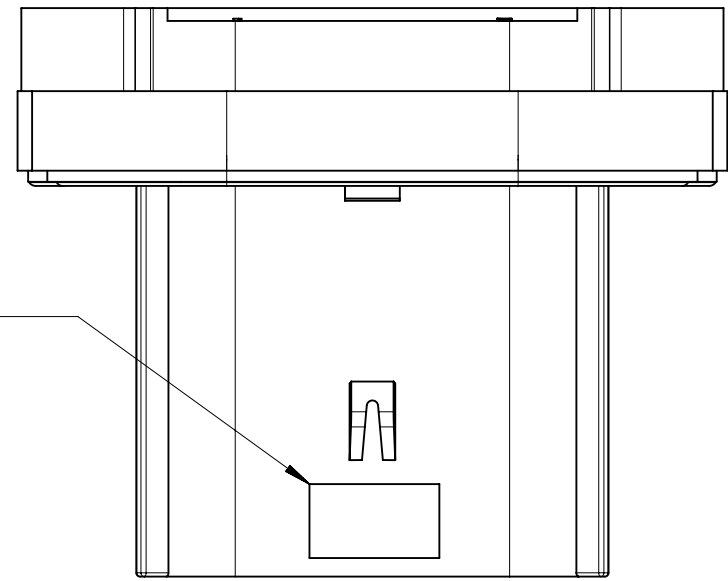
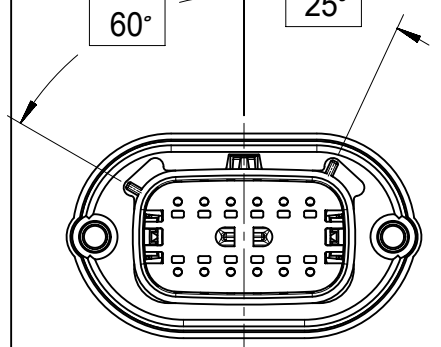


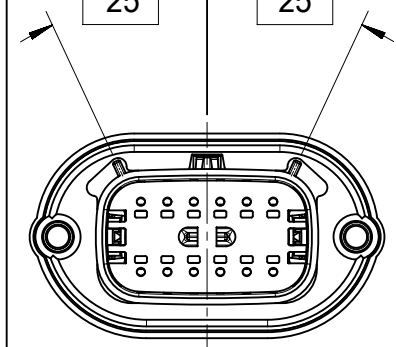
TRACEABILITY INFORMATION
LOCATION IN THIS AREA



KEY OPTION A
47725-2010
47725-2110

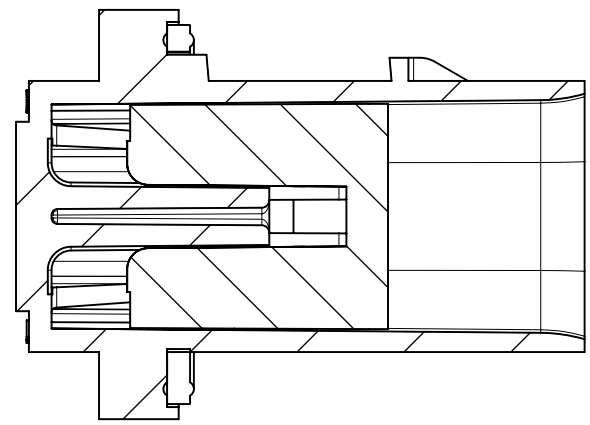


KEY OPTION C
47725-2030
47725-2130



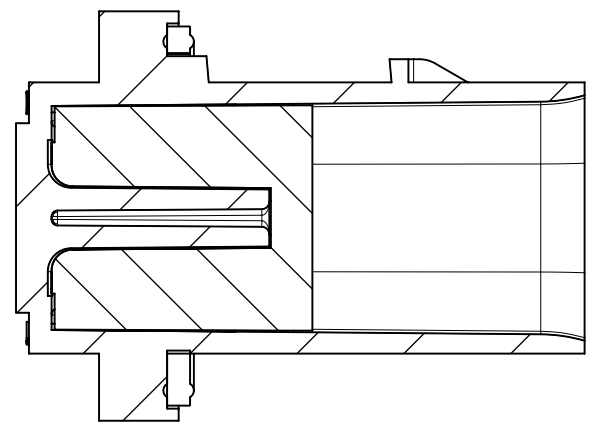
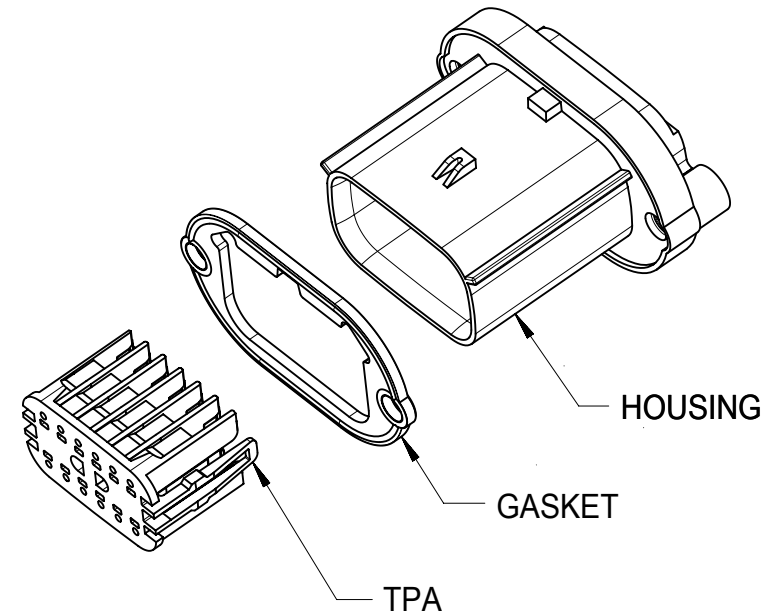
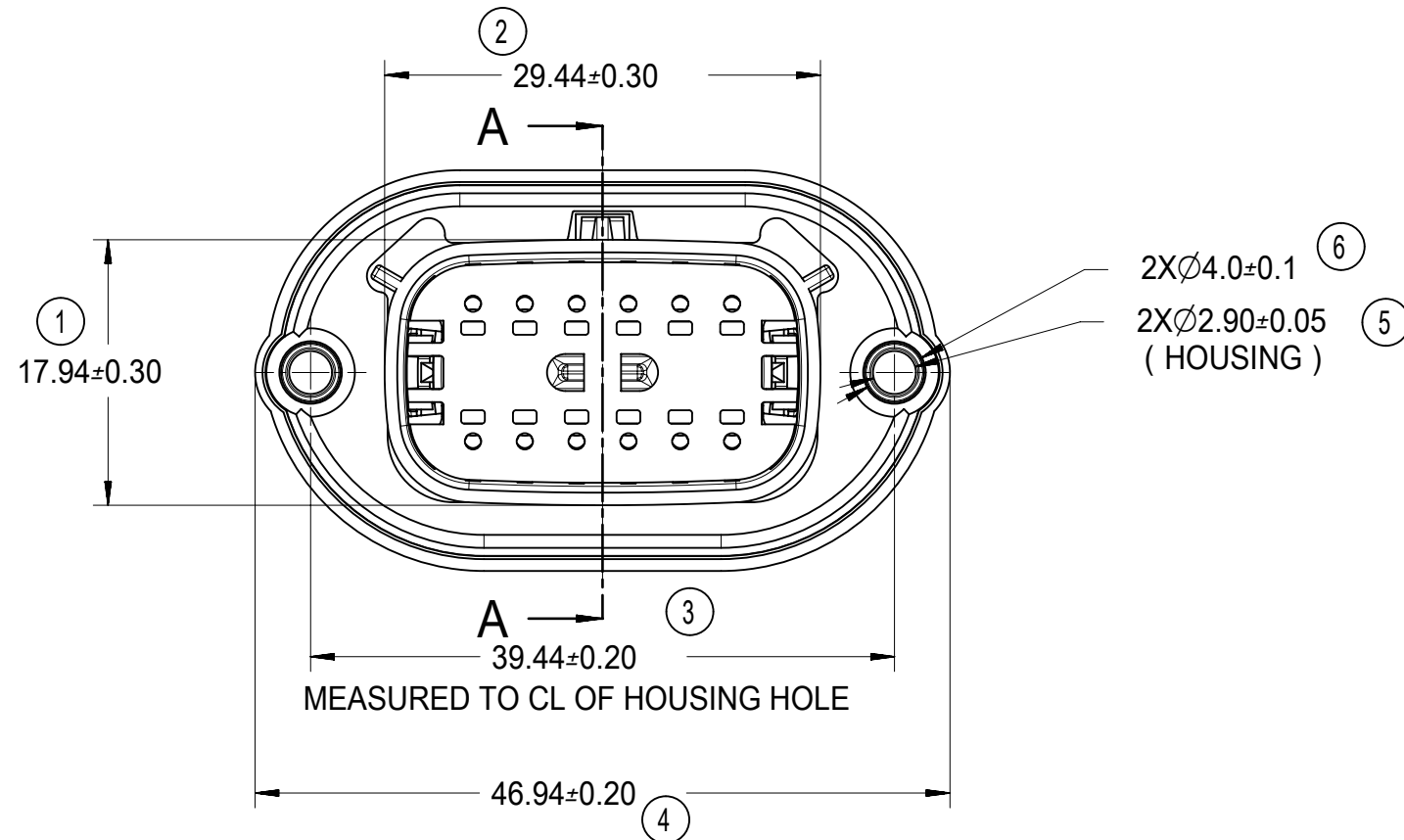
KEY OPTION D
47725-2040
47725-2140

ASSY P/N	KEY OPTION	DESCRIPTION	COLOR	STATUS
47725-2010	A	HOUSING	BLACK	PLANNED OBSOLESCENCE
		GASKET	BLACK	
		TPA	NATURAL	
47725-2030	C	HOUSING	DARK GRAY	PLANNED OBSOLESCENCE
		GASKET	BLACK	
		TPA	NATURAL	
47725-2040	D	HOUSING	STONE GRAY	PLANNED OBSOLESCENCE
		GASKET	BLACK	
		TPA	NATURAL	
47725-2110	A	HOUSING	BLACK	PLANNED OBSOLESCENCE
		GASKET	GREY	
		TPA	NATURAL	
47725-2130	C	HOUSING	DARK GRAY	PLANNED OBSOLESCENCE
		GASKET	GREY	
		TPA	NATURAL	
47725-2140	D	HOUSING	STONE GRAY	PLANNED OBSOLESCENCE
		GASKET	GREY	
		TPA	NATURAL	



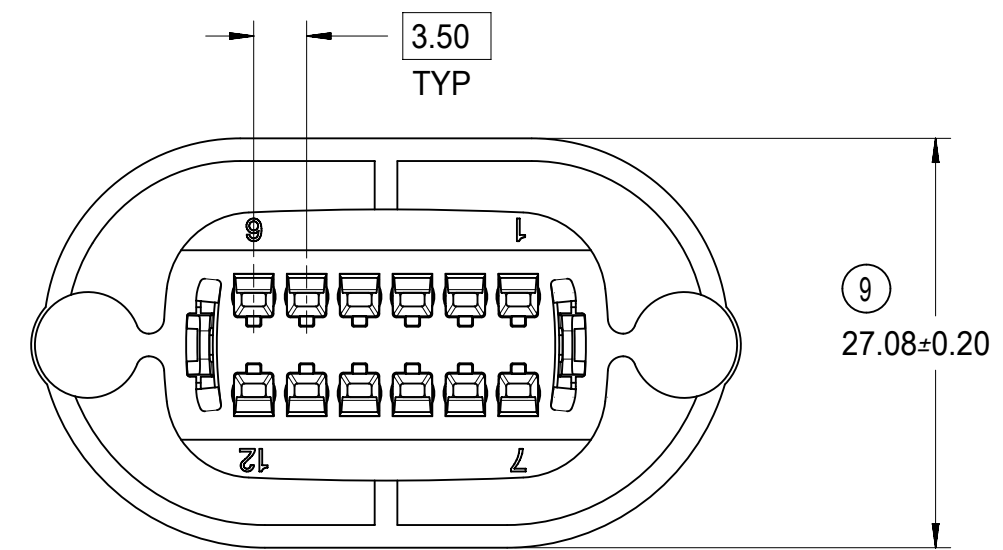
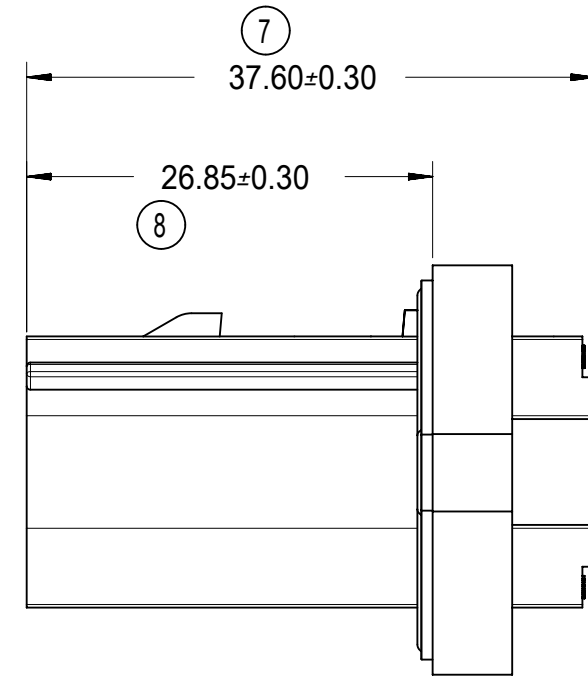
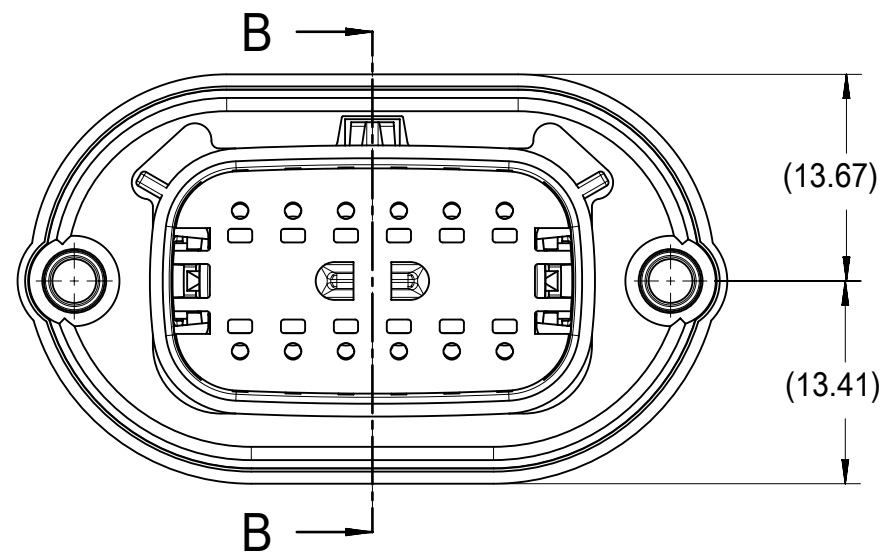
SECTION A-A

(TPA SHOWN IN PRE-LOCK POSITION)
SEE NOTE 3



SECTION B-B

(TPA SHOWN IN FULL-LOCK POSITION)
FOR REFERENCE ONLY



INSPECTION NUMBER LOG
LAST NUMBER USED: 9
ADDED:
REMOVED:

NOTES: UNLESS OTHERWISE SPECIFIED.

- SHALL CONFORM TO MOLEX PRODUCT SPECIFICATION: PS-47725-000
- USAGE OF THE PRODUCT SHALL BE IN COMPLIANCE TO MOLEX APPLICATION SPECIFICATION: AS-47725-001
- SHIPPED WITH GASKET AND TPA IN PRE-LOCK POSITION
- FOR ESSENTIAL PARTS (TERMINALS, WIRES ETC.) AND INSTALLATION TO COMPLETE ASSEMBLY SEE MOLEX PRODUCT SPECIFICATION: PS-33472-000.
- FOR TERMINAL SERVICING TOOL SEE MOLEX DOCUMENT: ATS-638131500; GM PART NUMBER J-38125-217
- DESIGNED TO MATE WITH 12 WAY RECEPTACLE CONNECTOR ASSEMBLY PER SD-33472-121. FOR MATING CONNECTOR ASSEMBLY INFORMATION SEE MOLEX PRODUCT SPECIFICATION: PS-33472-000

FUNCTIONAL SYMBOLS	THIS DRAWING CONTAINS INFORMATION THAT IS PROPRIETARY TO MOLEX ELECTRONIC TECHNOLOGIES, LLC AND SHOULD NOT BE USED WITHOUT WRITTEN PERMISSION	
	DIMENSION UNITS	SCALE
$\nabla_A = 0$	mm	2:1
$\nabla_F = 0$	GENERAL TOLERANCES (UNLESS SPECIFIED)	
$\nabla_P = 0$	ANGULAR TOL ± 3.0°	
DIVISIONAL SYMBOLS	4 PLACES	±
	3 PLACES	±
	2 PLACES	±
	1 PLACE	± 0.1
	0 PLACES	±
	DRAFT WHERE APPLICABLE MUST REMAIN WITHIN DIMENSIONS	THIRD ANGLE PROJECTION
	DRAWING	SERIES
	A2-SIZE	47725
	EC NO: 642599	2020/07/31
	DRWN: WKHE	2020/08/05
	CHK'D: JDENG02	2020/08/05
	APPR: JDENG02	2020/08/05
	INITIAL REVISION:	
	DRWN: CDZHANG	2010/03/18
	APPR: GGLEE	2010/04/16
	DOCUMENT NUMBER	DOC TYPE DOC PART REVISION
	SD-47725-210	PSD 001 B1
	MATERIAL NUMBER	CUSTOMER
	SEE BOM	GENERAL MARKET
	SHEET NUMBER	1 OF 1