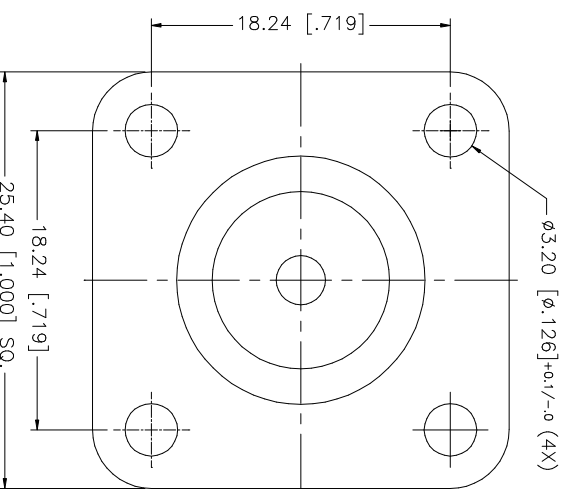
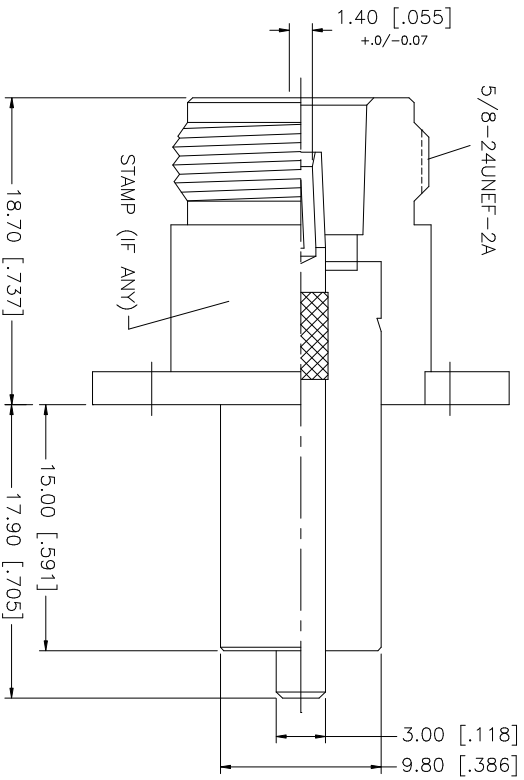


REV.	DATE	DESCRIPTION
NC	06/24/03	INITIAL RELEASE



8																				
7																				
6																				
5																				
4																				
3	CONTACT PIN	BER. COPPER	GOLD	1																
2	INSULATOR	TEFLON	NATURAL	1																
1	BODY	BRASS	NECOCOTE	1																
	DESCRIPTION	MATERIAL	FINISH	QTY																
<p>UNLESS OTHERWISE SPECIFIED DIMENSIONS ARE IN MILLIMETERS. DIMENSIONS IN [ ] ARE IN INCHES AND FOR CUSTOMER REFERENCE ONLY.</p> <p>UNLESS OTHERWISE SPECIFIED TOLERANCES FOR MILLIMETERS ARE:</p> <p>0.5 - 8mm ± 0.20mm  8 - 30mm ± 0.40mm  30 - 120mm ± 0.50mm</p> <p>UNLESS OTHERWISE SPECIFIED TOLERANCES FOR INCHES ARE:</p> <p>.020 - .315 = ± 0.007"  .315 - 1.180 = ± 0.015"  1.180 - 4.724 = ± 0.020"</p> <p>DO NOT SCALE DRAWING</p>										<p>APPROVALS</p> <p>DRAWN G.R.S.</p> <p>CHECKED</p> <p>ISSUED</p> <p>SHEET 1 OF 1</p>		<p>DATE</p> <p>06/24/03</p>	<p>PART DESCRIPTION</p> <p>N PANEL RECEPTACLE JACK (EXTENDED FLANGE)</p>		<p>PART NO.</p> <p>172228-14</p>	<p>DWG. NO.</p> <p>172228-14.DWG</p>	<p>REV.</p> <p>NC</p>	<p>SIZE</p> <p>A</p>	<p>SCALE</p> <p>NA</p>	

**Amphenol Connex**