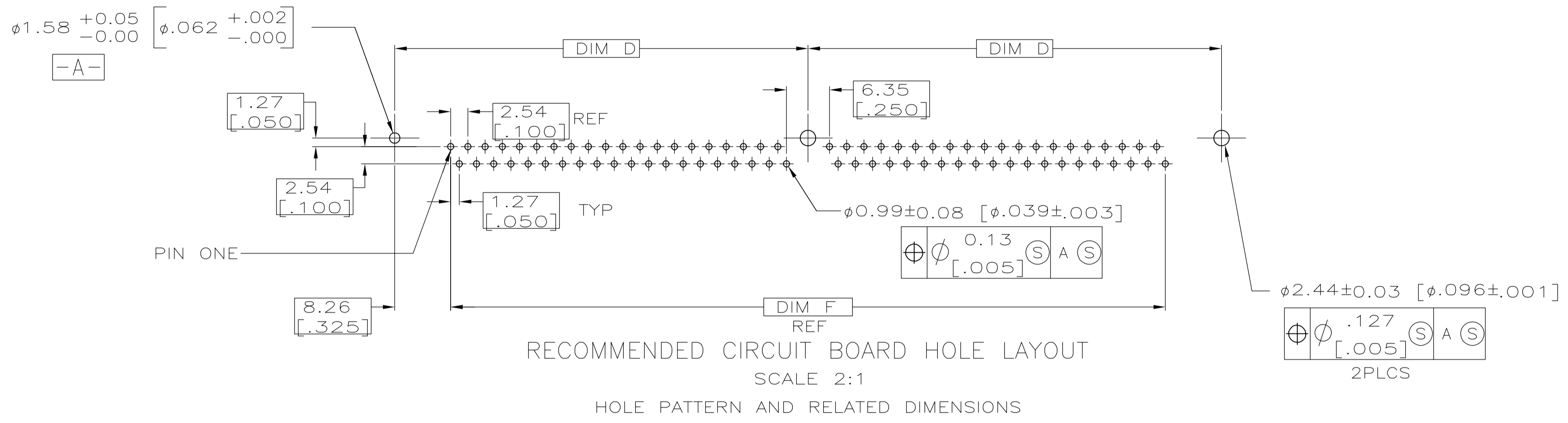
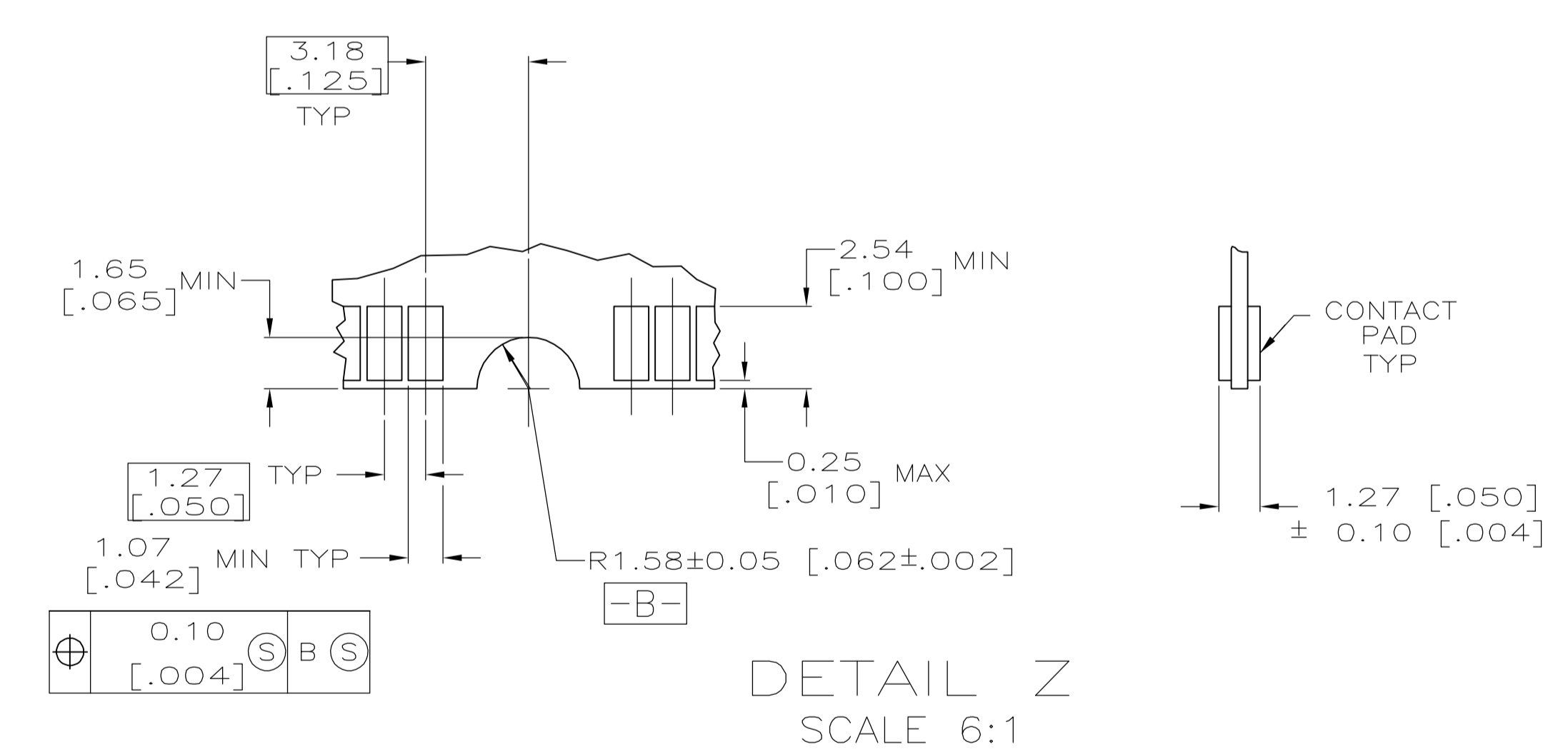
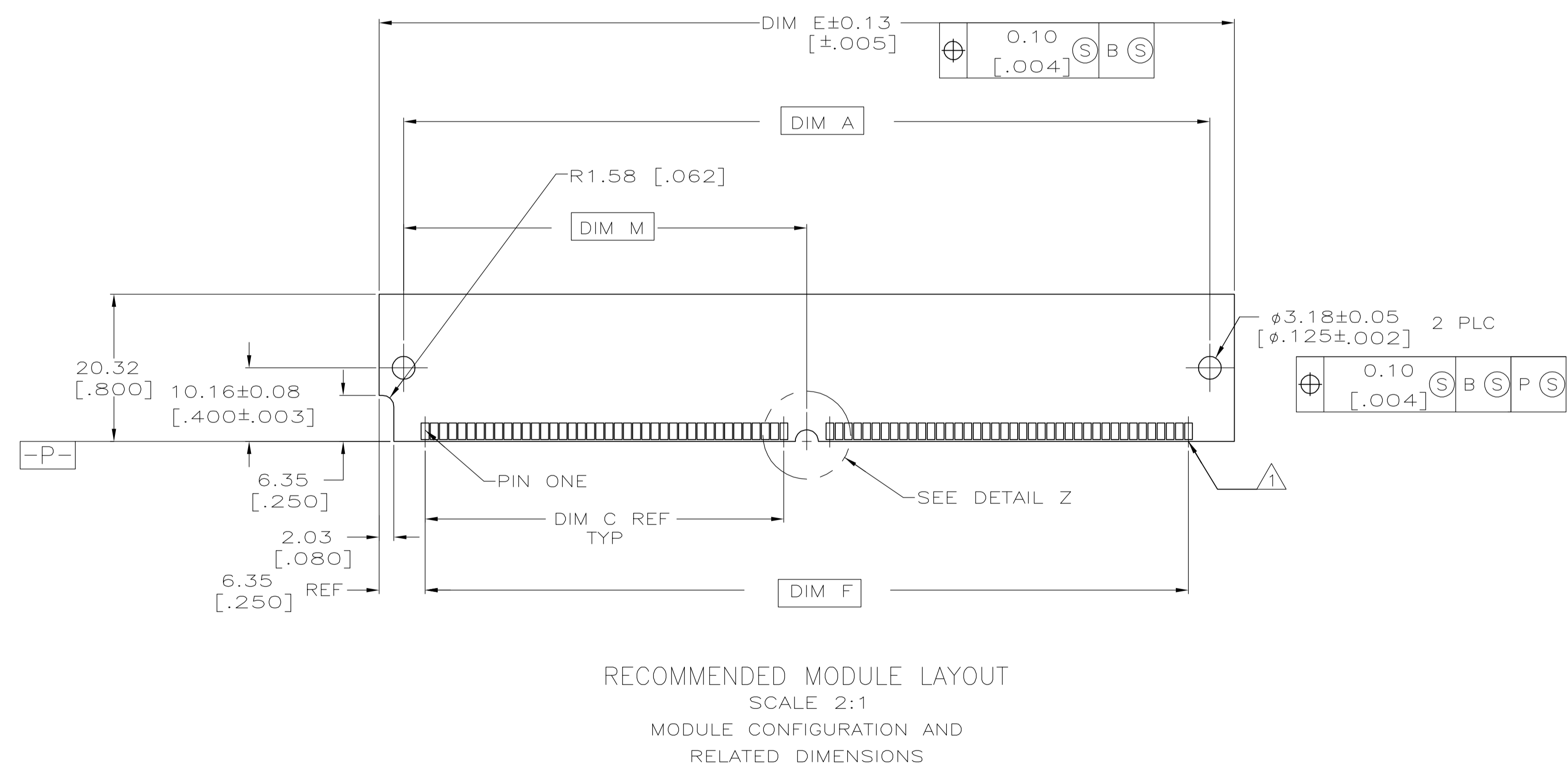


THIS DRAWING IS A CONTROLLED DOCUMENT.		DIN WENKE HE	1APROS	 Tyco Electronics Corporation Shanghai, P.R.China, 200233
DIMENSIONS: mm [INCHES]		CHK STEVEN YAO	1APROS	
TOLERANCES UNLESS OTHERWISE SPECIFIED:		APVD IENOMOTO	1APROS	NAME ASSY, SIMM II, RTANG, 1.27[.050], 8.26[.325] HEIGHT
0 PLC ± -	1 PLC ± -	PRODUCT SPEC		
2 PLC ± -	3 PLC ± 0.13[.005]	APPLICATION SPEC		
4 PLC ± -	ANGLES ± -	FINISH		
MATERIAL HOUSING: GLASS REINFORCE	FINISH	WEIGHT	A1 00779	SIZE CAGE CODE DRAWING NO C=5382818
CUSTOMER DRAWING			SCALE 4:1	SHEET 1 OF 2 REV A



FOR OPTIMUM PERFORMANCE, CONTACT PAD PLATING SHOULD BE SMOOTH AND FLAT. COPPER CONTACT PADS ARE TO BE OVERPLATED WITH .00127 [.000050] MIN THK NICKEL FOLLOWED WITH .00101 [.000040] MIN THK GOLD PLATING.

CONTACT MATING AREA:  
GOLD FLASH ON 80/20 PALLADIUM-NICKEL 0.00051 [.000020] MIN THICK. SOLDERTAIL: 0.00005 [.000002] MIN. THK GOLD. UNDERPLATE: 0.00127 [.000050] MIN. THK NICKEL OVER ENTIRE CONTACT.



50.60 [1.992]	111.76 [4.400]	95.25 [3.750]	107.95 [4.250]	55.88 [2.200]	44.45 [1.750]	115.57 [4.550]	101.19 [3.984]	72	7-5382818-2
DIM M	DIM J	DIM F	DIM E	DIM D	DIM C	DIM B	DIM A	POSN	PART NO

THIS DRAWING IS A CONTROLLED DOCUMENT.

DIMENSIONS:	TOLERANCES UNLESS OTHERWISE SPECIFIED:	DIN	WENKE HE	TAPROS	Tyco Electronics Corporation
mm [INCHES]	0 PLC ± -	CHK	STEVEN YAO	TAPROS	Shanghai, P.R.China, 200233
	1 PLC ± -	APVD	RENOMOTO	TAPROS	NAME
	2 PLC ± -	PRODUCT SPEC			ASSY, SIMM II, RTANG,
	3 PLC ± 0.13 [.005]	APPLICATION SPEC			1.27 [.050], 8.26 [.325] HEIGHT
	4 PLC ± -				
	ANGLES ± -	SIZE	CAGE CODE	DRAWING NO	RESTRICTED TO
MATERIAL	FINISH	WEIGHT		A1 00779 C=5382818	
				CUSTOMER DRAWING	SCALE 4:1 SHEET 2 OF 2 REV A