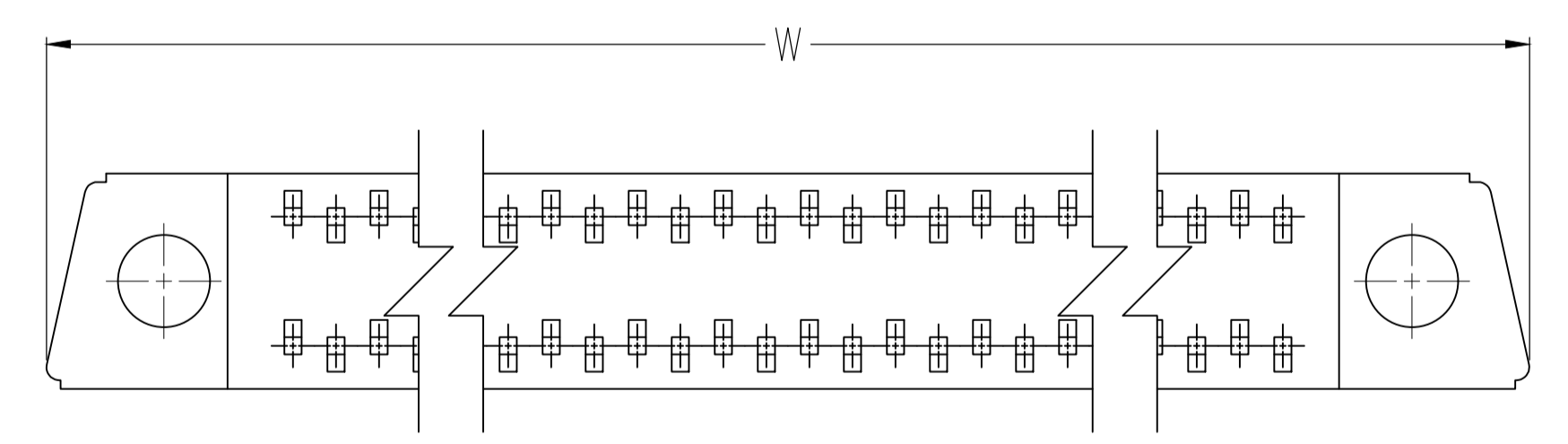
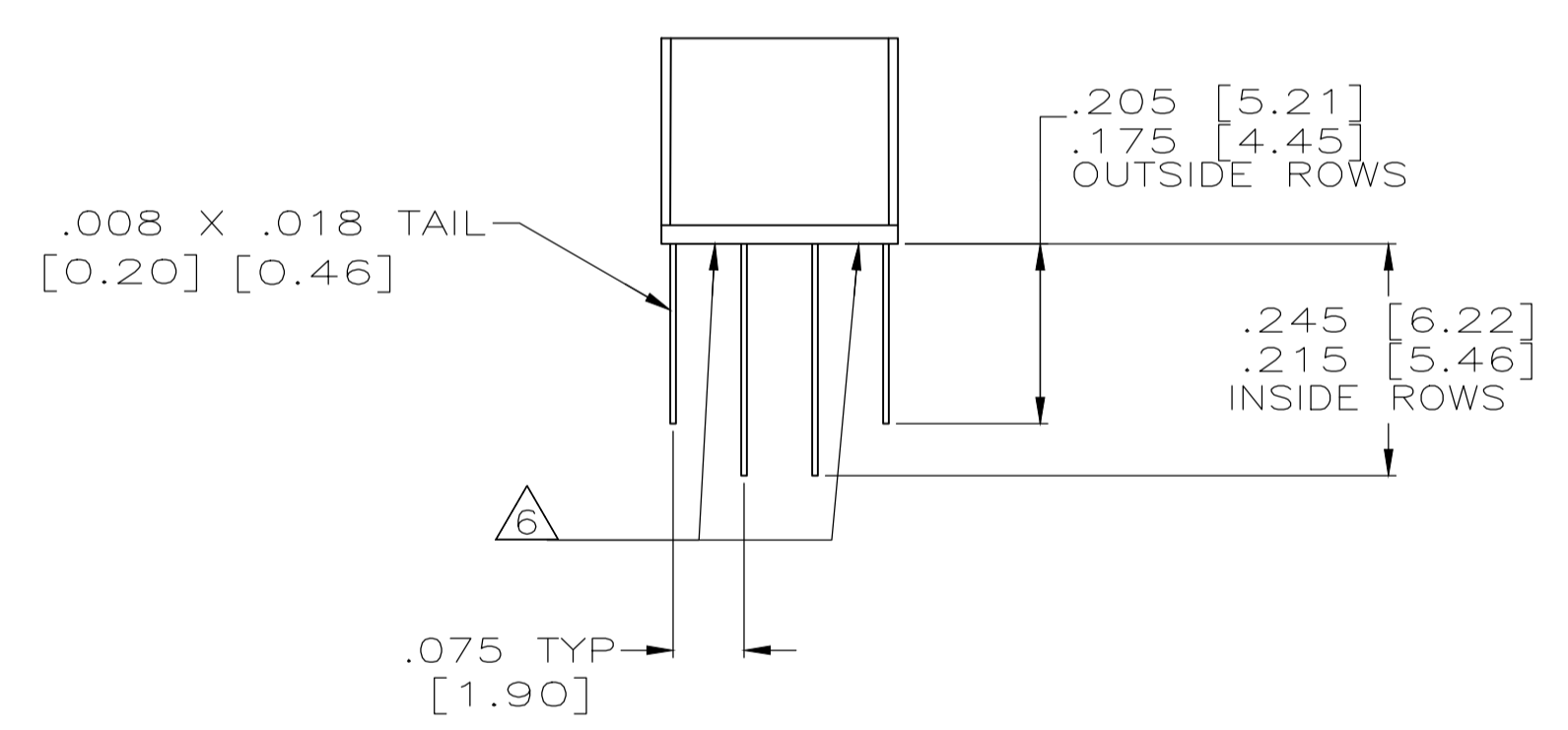
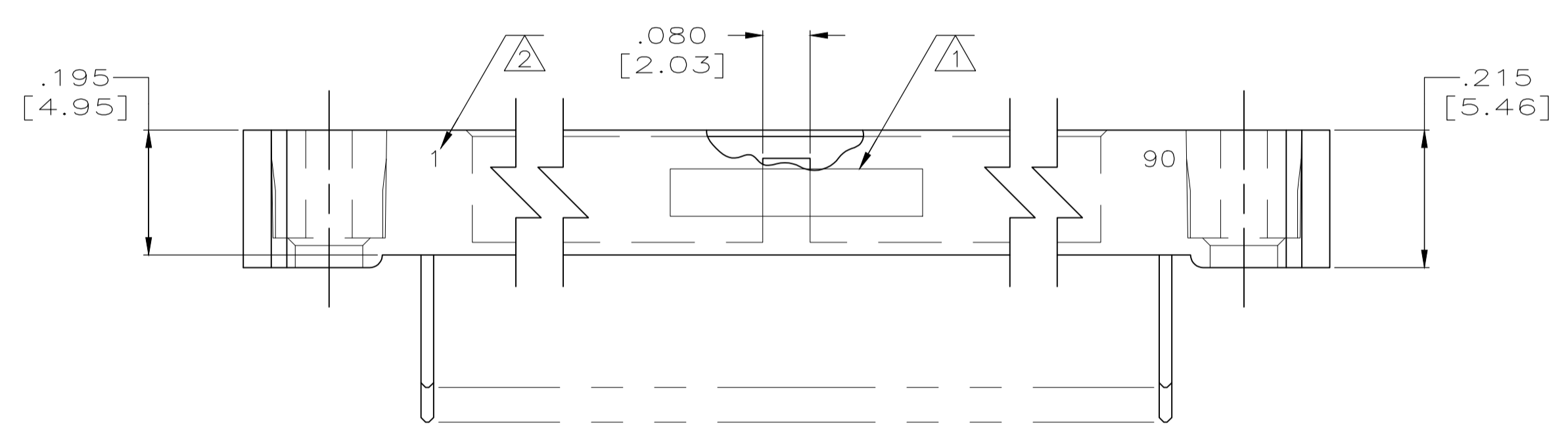
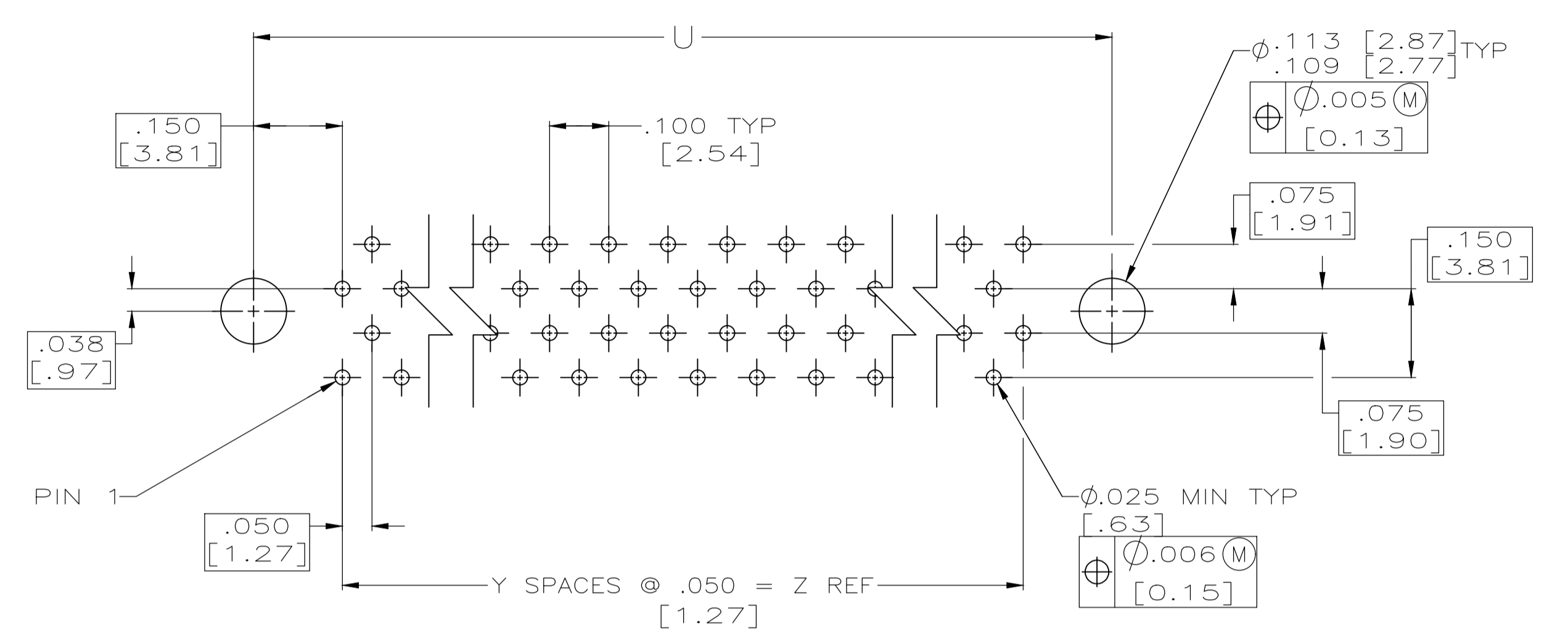
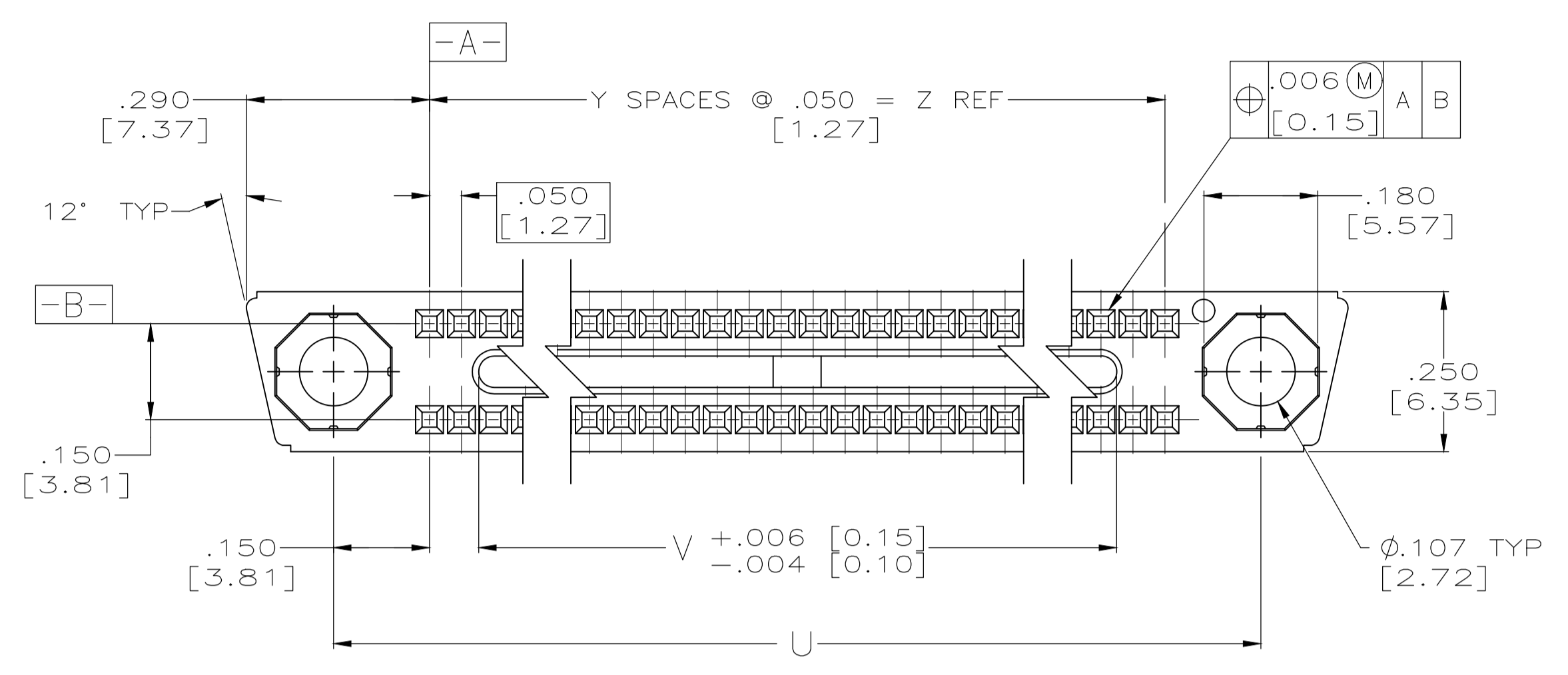


REVISIONS					
P	LTR	DESCRIPTION	DATE	DMN	APVD
G		REVISED PER ECO-19-017271	1-10-20	CT	RL



- 1 AMP, PART NUMBER & DATE CODE MARKED IN THIS APPROXIMATE AREA.
- 2 NUMBERS INDICATING END POSITIONS MARKED THIS SIDE ONLY.
- 3 HOUSING MATERIAL: LIQUID CRYSTAL POLYMER PER MIL-M-24519, GLCP-30F; COLOR: GRAY.
- 4 .000050 GOLD OVER NICKEL UNDERPLATE IN CONTACT AREA, TIN-LEAD OVER NICKEL ON CONTACT TAILS.
- 5. MEETS ALL APPLICABLE REQUIREMENTS OF MIL-C-55302.
- 6 BOTTOM SURFACE OF HOUSING SEALED.

717801128-003	1 - 45	2.200 [55.88]	44	2.790 [70.87]	2.050 [52.07]	2.500 [63.50]	90	534174-3
717801128-002	1 - 40	1.950 [49.53]	39	2.540 [64.52]	1.800 [45.72]	2.250 [57.15]	80	534174-2
717801128-001	1 - 64	3.150 [80.01]	63	3.740 [95.00]	3.000 [76.20]	3.450 [87.63]	128	534174-1
CUSTOMER PART NUMBER	CONTACT IDENT NUMBERS	Z	Y	W	V	U	NUMBER OF CONTACTS	PART NUMBER

THIS DRAWING IS A CONTROLLED DOCUMENT.

DIMENSIONS: INCHES	TOLERANCES UNLESS OTHERWISE SPECIFIED:	DIN T. ALEXANDER 11-25-91	11-25-91
0 PLC ± -	1 PLC ± -	CHK D. GUTTER 1-3-92	1-3-92
2 PLC ± -	3 PLC ± -	APVD D. GUTTER 1-3-92	1-3-92
4 PLC ± .010 [0.25]	ANGLES ± -	NAME	RECEPTACLE ASSEMBLY, MINI-BOX SEALED
MATERIAL	FINISH	SIZE	CAGE CODE
		WEIGHT	DRAWING NO
		0.000000	A1 00779
		CUSTOMER DRAWING	534174

SCALE 5:1 SHEET 1 OF 1 REV G