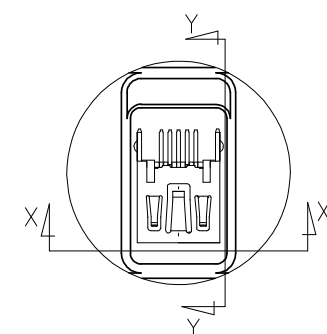
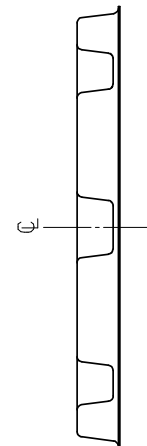
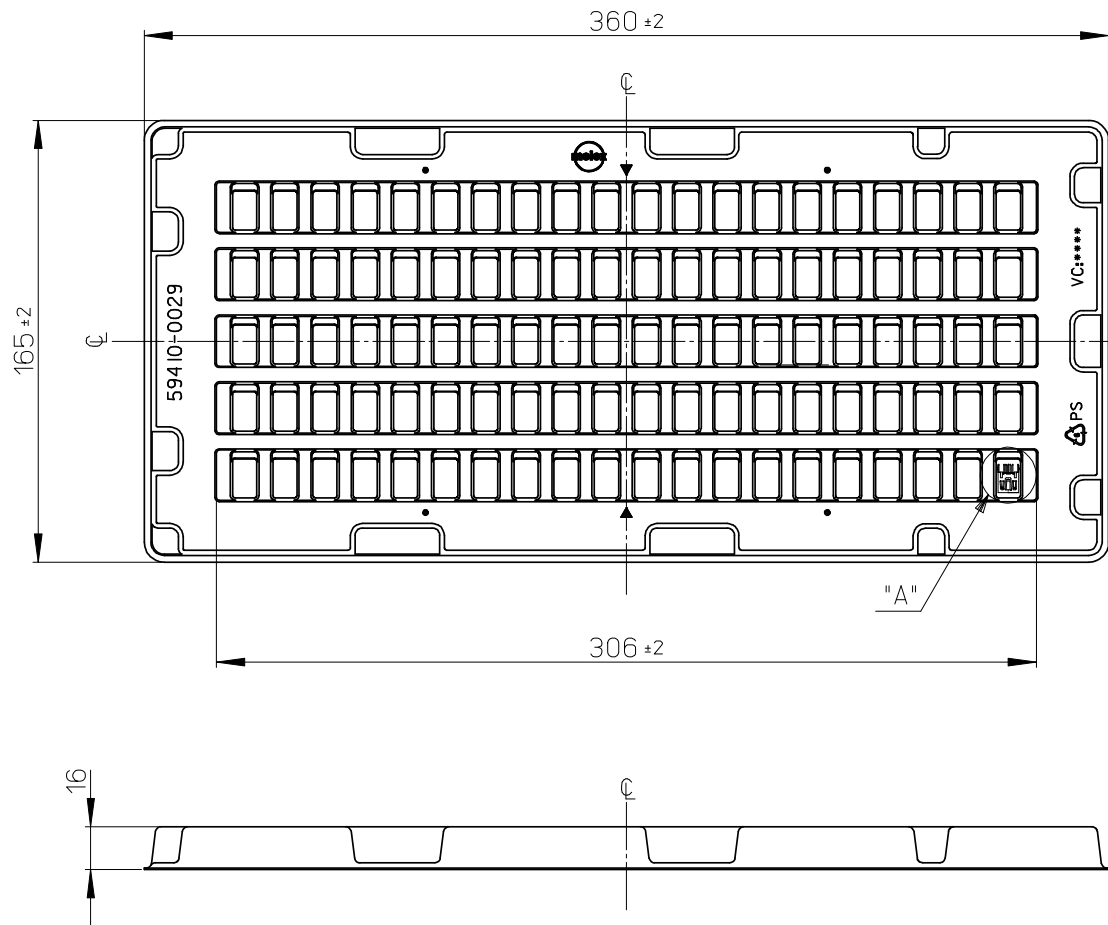


推奨基板寸法
RECOMMENDED P.C.B. PATTERN LAYOUT
(SCALE 5:1)

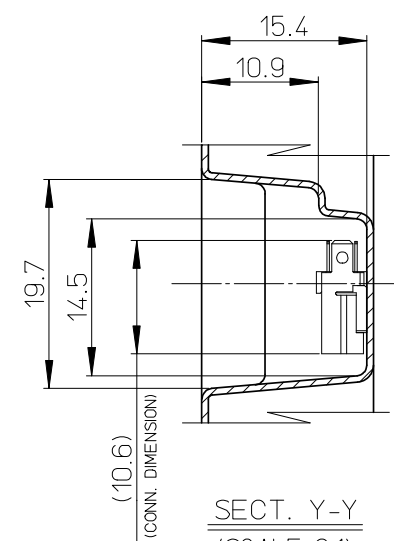
- 注記
NOTES
- 材質
MATERIAL
ハウジング: ポリアミド, 黒色, UL94V-0
HOUSING: POLYAMIDE, BLACK, UL94V-0
ターミナル: 銅合金 (t=0.2)
TERMINAL: COPPER ALLOY (t=0.2)
シールド ケース: 銅合金 (t=0.4)
SHIELD CASE: COPPER ALLOY (t=0.4)
 - メッキ仕様
PLATING
ターミナル
TERMINAL
接点部: 金メッキ
CONTACT AREA: GOLD
半田付け部: 錫メッキ
SOLDER TAIL AREA: TIN
下地部: ニッケルメッキ
UNDER PLATING: NICKEL
シールド ケース
SHIELD CASE
錫メッキ
TIN
下地部: ニッケルメッキ
UNDER PLATING: NICKEL

502237-0517
TRAY PKG.
ORDER No./オーダー番号

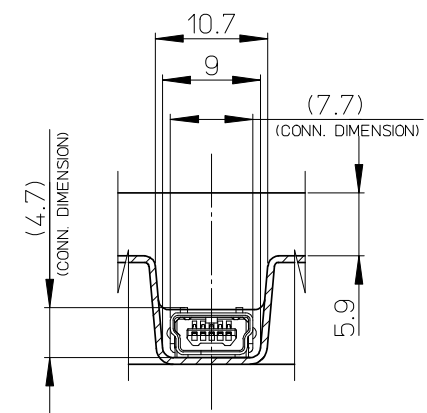
REVISED EC NO: J2009-2284 DRW: NESATO 2009/06/29 CHKD: MATSUMOTO 2009/06/30 APPR: NUKITA 2009/06/30	GENERAL TOLERANCES (UNLESS SPECIFIED)		DIMENSION STYLE MM ONLY		SCALE 10:1	DESIGN UNITS METRIC	THIRD ANGLE PROJECTION
	10 UNDER	±0.2	DRAWN BY MTANAKA	DATE 06/03/29	TITLE USB SERIES MINI-B STRAIGHT REC. ASSY -LEAD FREE-		
	10 OVER 30 UNDER	±0.25	CHECKED BY NUKITA	DATE 06/03/29	MOLEX INCORPORATED		
	30 OVER	±0.3	APPROVED BY NUKITA	DATE 06/03/29	MATERIAL NO. SEE SHEET	DOCUMENT NO. SD-502237-001	SHEET NO. 1 OF 1
ANGULAR	±3 °	THIS DRAWING CONTAINS INFORMATION THAT IS PROPRIETARY TO MOLEX INCORPORATED AND SHOULD NOT BE USED WITHOUT WRITTEN PERMISSION					
DRAFT WHERE APPLICABLE MUST REMAIN WITHIN DIMENSIONS							



DETAIL A
(SCALE 2:1)



SECT. Y-Y
(SCALE 2:1)



SECT. X-X
(SCALE 2:1)

注記

1. 一般交差 : ±0.5
GENERAL TOLERANCES: ±0.5
2. 各部の反りは2.0MAX.
WARP: 2.0MAX.
3. 梱包数 : 100個
PACKAGING QUANTITY: 100PCS.

RELEASED EC NO: J2008-3626 DRWN: YOKUZONO CH'KD: HARUYAMA APPR: NUKITA	2008/04/15 2008/04/15 2008/04/16	GENERAL TOLERANCES (UNLESS SPECIFIED)	
		10 UNDER	±---
		10 OVER 30 UNDER	±---
		30 OVER	±---
ANGULAR		±--- °	
DRAFT WHERE APPLICABLE MUST REMAIN WITHIN DIMENSIONS			

DIMENSION STYLE MM ONLY		SCALE 1:2	DESIGN UNITS METRIC	THIRD ANGLE PROJECTION
DRAWN BY Y. TOKUZONO	DATE 2008/4/14	TITLE TRAY FOR 502237 (USB SERIES MINI-B REC. HS'G ASS'Y S/T)		
CHECKED BY T. HARUYAMA	DATE 2008/4/14			
APPROVED BY N. UKITA	DATE 2008/4/14	MOLEX INCORPORATED		
MATERIAL NO. 594100029		DOCUMENT NO. SD-502237-002		SHEET NO. 1 OF 1
SIZE A3 THIS DRAWING CONTAINS INFORMATION THAT IS PROPRIETARY TO MOLEX INCORPORATED AND SHOULD NOT BE USED WITHOUT WRITTEN PERMISSION				

502237-1517
502237-0517
適用製品番号 APPLICABLE PART No.