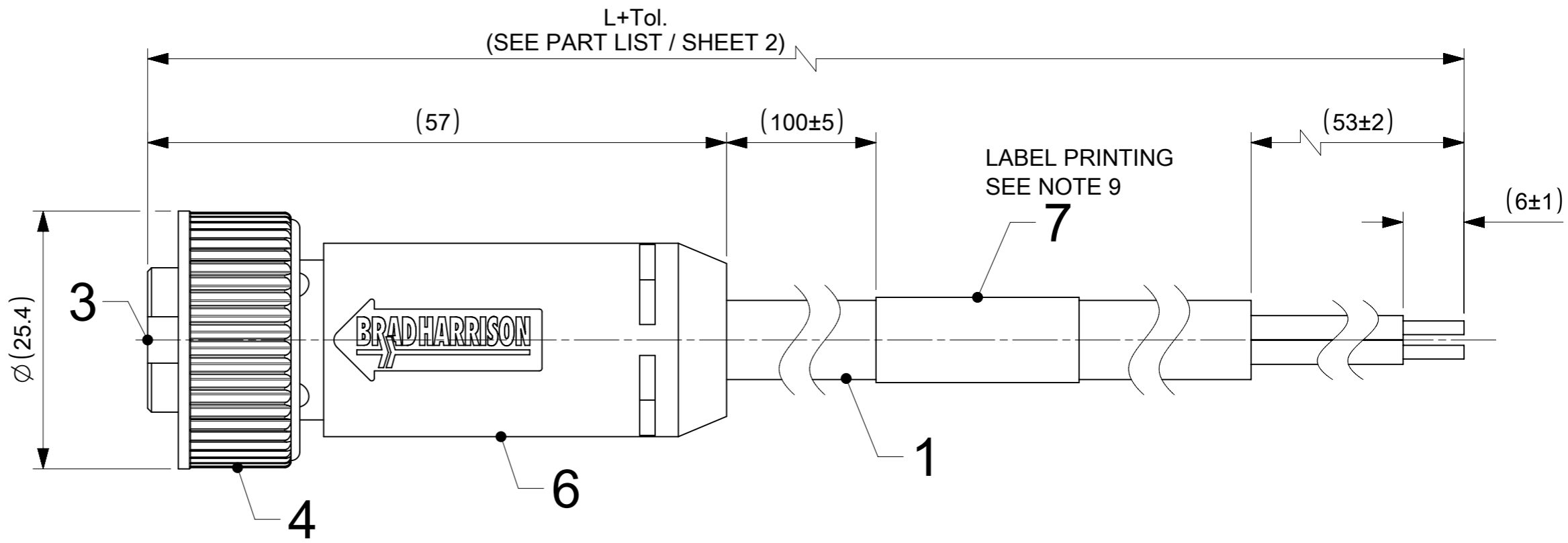


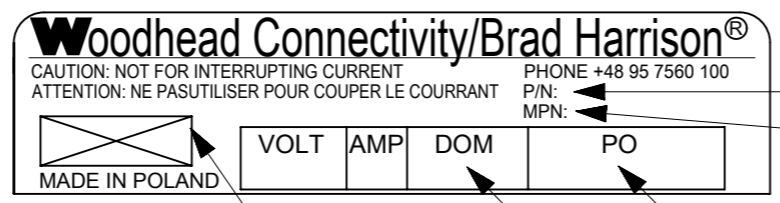
VIEW FROM THE FRONT SIDE



NOTES:

- 1. MATERIAL: AS NOTED
- 2. FINISH: AS NOTED
- 3. ELECTRICAL:  
VOLTAGE: 600 V  
CURRENT: 10 A
- 4. TEMPERATURE RATING:  
STATIC: -40 °C TO 90 °C  
DYNAMIC: -25 °C TO 80 °C
- 5. PROTECTION: IP67 (WHEN MATED)
- 6. UL CERTIFICATION: UL LISTED, FILE NO. E152210
- 7. UV RESISTANCE: YES (UL1581/2556-300h)
- 8. HOMOLOGATION: UL STYLE 21215 + CSA; RATING 80°C 600V
- 9. LABEL PRINTING ACC. STANDARD LABEL INSTRUCTION

LABEL PRINTING



ENGINEERING NO.  
MOLEX PN

PO NO.  
PRODUCT. DATE

CERTIFICATION SYMBOLS

WIRING DIAGRAM

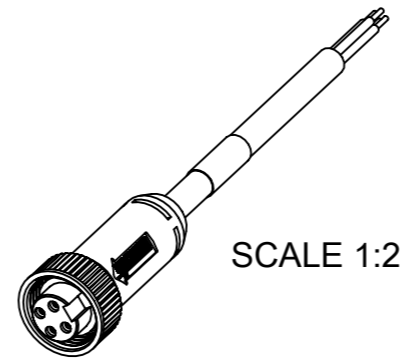
MC 4P  
FEMALE



CENELEC PIN-OUT  
(SAE PIN-OUT IN PARANTHESIS)

BILL OF MATERIAL

ITEM	QTY	DESCRIPTION	MATERIAL	FINISH/COLOR
1	-	CABLE #16-4, OD=7.8MM,WSR	TPU	GRAY
2	4	FEMALE CONTACT	Cu ALLOY	GOLD OVER NICKEL
3	1	INSERT	TPE	BLACK
4	1	COUPLING NUT	ZINC DIE-CAST	BLACK E-COAT
5	1	FRICTION RING	NYLON	NATURAL
6	-	OVERMOLD	TPE	BLACK
7	1	LABEL	VINYL	YELLOW



FUNCTIONAL SYMBOLS ▽/A = 0 ▽/E = 0 ▽/V = 0	THIS DRAWING CONTAINS INFORMATION THAT IS PROPRIETARY TO MOLEX ELECTRONIC TECHNOLOGIES, LLC AND SHOULD NOT BE USED WITHOUT WRITTEN PERMISSION	CURRENT REV DESC: NOTES UPDATED, LABEL PRINTING ADDED			
	DIMENSION UNITS: mm	SCALE: 2:1	EC NO: 747270		
DIVISIONAL SYMBOLS	GENERAL TOLERANCES (UNLESS SPECIFIED)		DRWN: RSILLER		2023/04/19
	ANGULAR TOL ± 1.0 °		CHK'D: RSILLER		2023/04/27
	4 PLACES ±		APPR: RSILLER		2023/04/27
	3 PLACES ±		INITIAL REVISION:		
2 PLACES ± 0.05		DRWN: AKABADI		2022/07/25	
1 PLACE ± 0.3		APPR: RSILLER		2023/01/30	
0 PLACES ± 0.5		DRAFT WHERE APPLICABLE MUST REMAIN WITHIN DIMENSIONS		THIRD ANGLE PROJECTION	DRAWING: A3-SIZE
SERIES: 130006		MATERIAL NUMBER: SEE PART LIST		CUSTOMER: GENERAL MARKET	SHEET NUMBER: 1 OF 2

# PART No. MATRIX

1 0 4 0 0 0 B 3 5 M X X X

10 = A-SIZE  
single ended

Poles:  
4 = 4 Poles

Heads style:  
000 = Female straight

Cable:  
B35 = 4x1.5mm<sup>2</sup> TPU GY

Units:  
M = Meter

Length  
Examples:  
005 = 0.5 m  
010 = 1 m  
050 = 5 m  
100 = 10 m  
150 = 15 m

## PART LIST

MOLEX PN	ENGINEERING NO.	L+Tol. [mm]
1300068187	104000B35M020	2000+89
1300068188	104000B35M030	3000+89
1300068189	104000B35M040	4000+165
1300068190	104000B35M050	5000+165
1300068196	104000B35M100	10000+317
1300068197	104000B35M150	15000+610
1300068198	104000B35M200	20000+610

FUNCTIONAL SYMBOLS	THIS DRAWING CONTAINS INFORMATION THAT IS PROPRIETARY TO MOLEX ELECTRONIC TECHNOLOGIES, LLC AND SHOULD NOT BE USED WITHOUT WRITTEN PERMISSION		
	$\nabla_A = 0$ $\nabla_B = 0$ $\nabla_C = 0$	DIMENSION UNITS <b>mm</b>	SCALE <b>1:1</b>
DIVISIONAL SYMBOLS	GENERAL TOLERANCES (UNLESS SPECIFIED)		CURRENT REV DESC: NOTES UPDATED, LABEL PRINTING ADDED  EC NO: 747270 DRWN: RSILLER 2023/04/19 CHK'D: RSILLER 2023/04/27 APPR: RSILLER 2023/04/27  INITIAL REVISION: DRWN: AKABADI 2022/07/25 APPR: RSILLER 2023/01/30
	ANGULAR TOL $\pm 1.0^\circ$		
	4 PLACES	$\pm$	
	3 PLACES	$\pm$	
	2 PLACES	$\pm 0.05$	
	1 PLACE	$\pm 0.3$	
	0 PLACES	$\pm 0.5$	
DRAFT WHERE APPLICABLE MUST REMAIN WITHIN DIMENSIONS		THIRD ANGLE PROJECTION	DRAWING <b>A3-SIZE</b>
		SERIES	MATERIAL NUMBER <b>130006</b>
		CUSTOMER	DOCUMENT NUMBER <b>1300068198</b>
			DOC TYPE <b>PSD</b>
			DOC PART <b>000</b>
			REVISION <b>A1</b>
			SHEET NUMBER <b>2 OF 2</b>