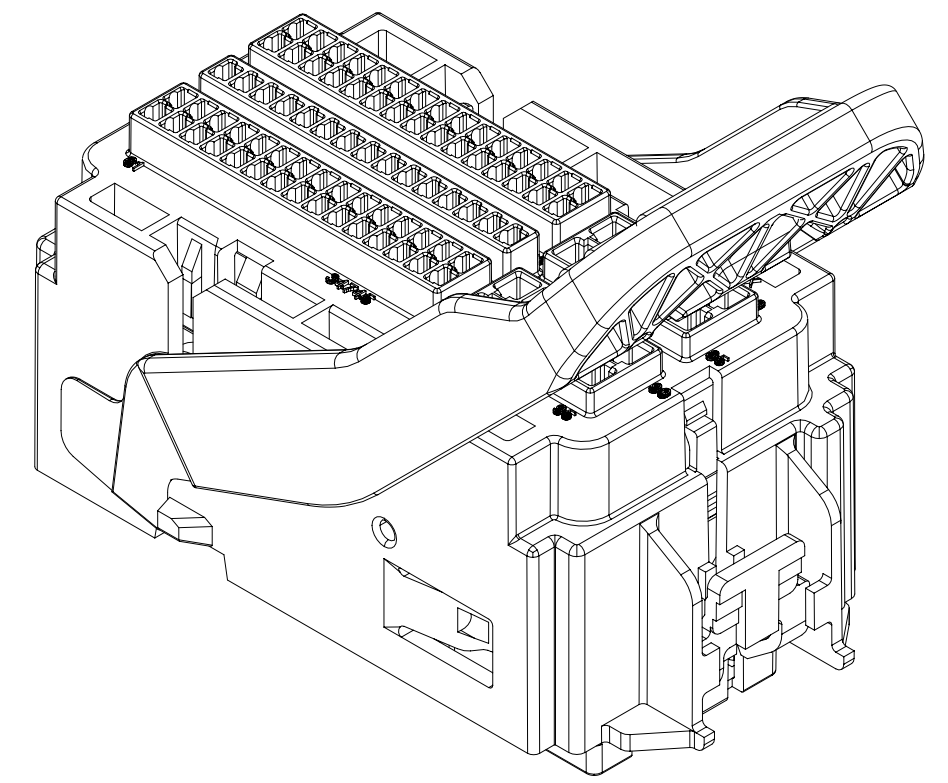


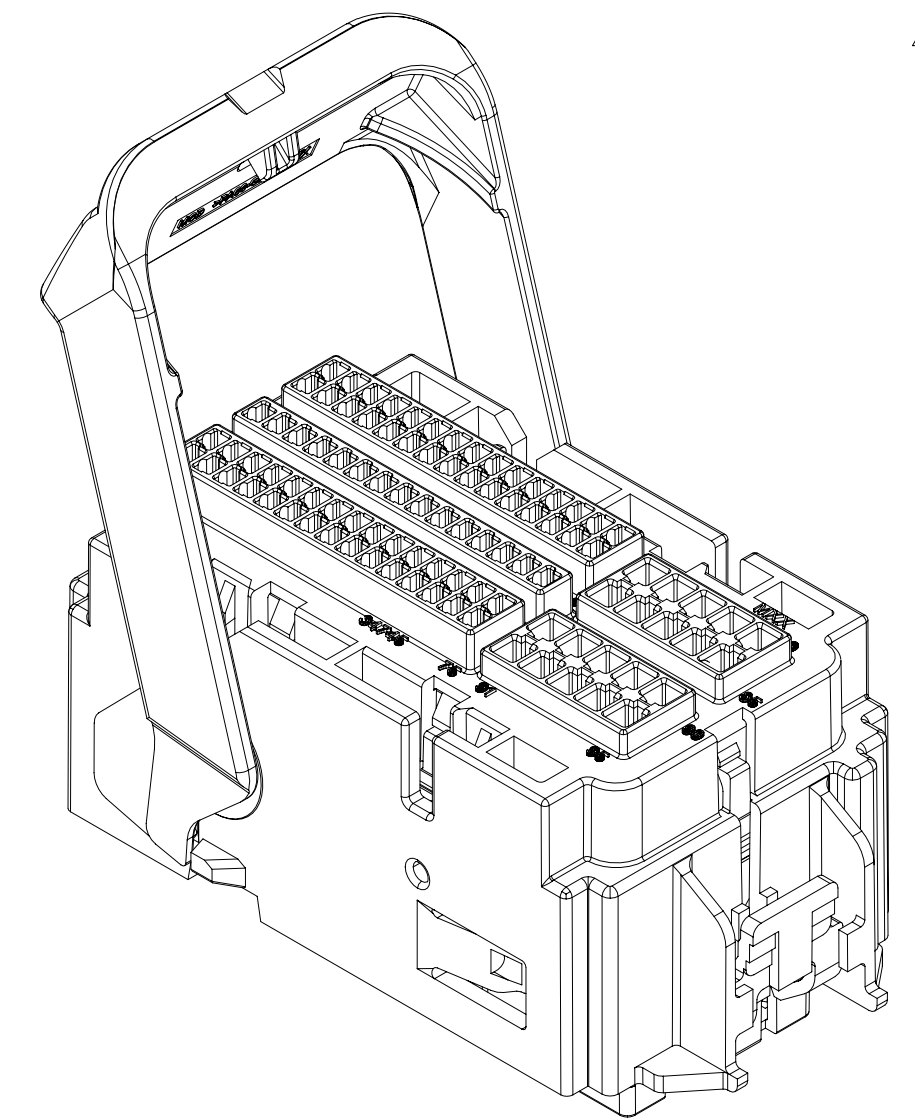
SHEET NO.	SHEET DESCRIPTION
1	NOTES AND BOM
2	CONFIGURATIONS
3	POLARIZATIONS
4	WIRE DRESS COVER CONFIGURATION
5	AS RECEIVED AT HARNESS ASSEMBLY
6-7	AS RECEIVED AT VEHICLE ASSEMBLY
8	RCPT PACKAGING

NOTES: VALID UNLESS OTHERWISE SPECIFIED

1. GENERAL:
- a. APPLICATION SPECIFICATION SEE: AS-34992-001
 - CONTAINS: PRODUCT INTRODUCTION, PRODUCT SUMMARY, CONNECTOR ASSEMBLY, PACKAGING INFORMATION, CONNECTOR MATING, SERVICE INSTRUCTIONS, ELECTRICAL CONTINUITY CHECKING, CRIMPING, AND TROUBLESHOOTING.
 - DESIGNED TO MATE WITH DEVICE INTERFACE AS SPECIFIED IN MATING INTERFACE CHART
 - b. PRODUCT SPECIFICATION SEE: 2052510001-PS
 - CONTAINS: PRODUCT INTRODUCTION, PRODUCT SUMMARY, RATINGS (CURRENT, TEMPERATURE, SEALING, AND FLAMMABILITY), AND PRODUCT VALIDATION.
 - c. PACKAGING SPECIFICATION PER MOLEX DRAWING: 2052516001-PK
 - d. PARTS MUST BE IN COMPLIANCE TO MOLEX CHEMICAL SUBSTANCES FOR PRODUCTS AND PACKAGING SPECIFICATION: QEHS-699000-300
 - e. DATA MUST BE SUBMITTED UNDER THE MOLEX PART NUMBER TO IMDS (COMPANY ID#13255)
2. DESIGN - MATERIALS:
- a. SEE BOM TABLE IN 2052510002-SD PSD.
3. DESIGN - GEOMETRY:
- a. ALL GRAPHIC DATA IS BASIC (NO TOLERANCE) AND MUST BE TAKEN FROM THE DATA FILE AT ITS LATEST REVISION.
 - b. GEOMETRIC DIMENSIONS AND TOLERANCES PER ASME Y14.5M-2009
 - c. EDGES AND UNDIMENSIONED DETAILS PER ISO13715
 - d. CORNERS SHOWN AS SHARP TO BE R 0.2 MAX.
 - e. LETTERING SHALL BE 0.15 MAX RAISED IN 0.25 MAX RECESS PAD. THIS INCLUDES RECYCLING CODE, CAVITY ID, VENDOR IDENTIFICATION, AND CUSTOMER MATERIAL NUMBER.
 - f. VISUAL DEFECTS SHALL MEET COSMETIC STANDARD PS-45499-002 (Class B).
 - g. LASER MARKING:
 - SOURCE IDENTIFICATION MARK, PRODUCT DATE CODE AND CUSTOMER PART NUMBER MUST BE PERMANENTLY APPLIED ON THE PART WITH 1.5mm MINIMUM LETTER SIZE FROM THE BOTTOM TO THE TOP OF THE CHARACTERS AND LEGIBLE WHEREVER PACKAGE SIZE PERMITS OR OTHER AGREEMENTS ARE MADE.
 - DATE CODE DESCRIPTION:
 - 1ST THRU 3RD DIGIT = "DAY #" OF THE CALENDAR YEAR. (EXAMPLE: FEB. 3RD = "034")
 - LAST DIGIT = LAST DIGIT OF THE CALENDAR YEAR. (EXAMPLE: 2006 = "6")
 - SERIAL NUMBER DESCRIPTION:
 - STARTS AT "00001" AND IS RESET WHEN IT REACHES "999999".
 - CUSTOMER PART NUMBER:
 - SEE TABLE (USE MOLEX PART NUMBER IF CUSTOMER NUMBER IS NOT DEFINED).
4. MXCD64 TERMINAL VALIDATED TO USCAR ONLY. SEE PRODUCT SPEC (2052510001-PS) FOR DETAILS

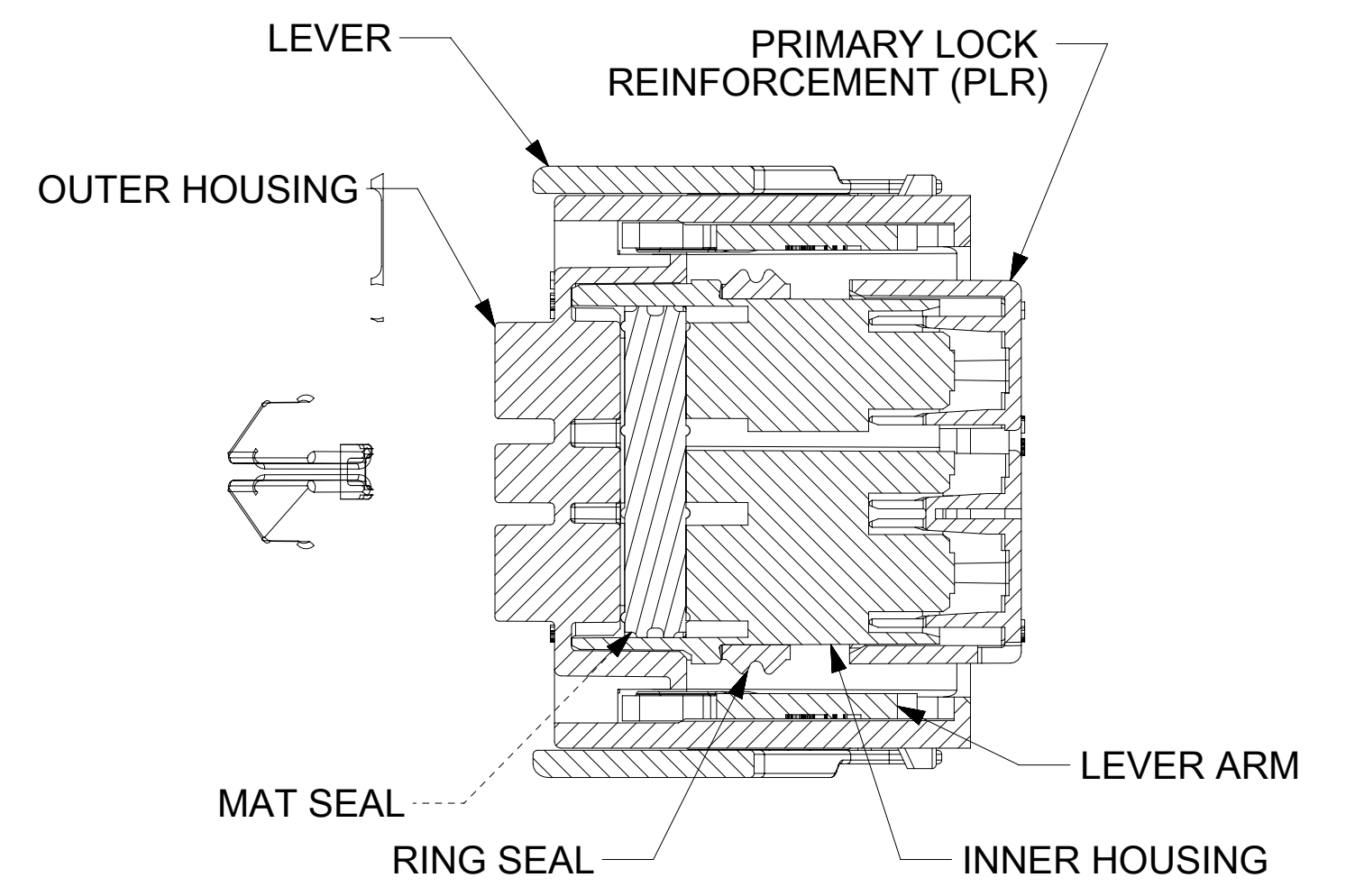
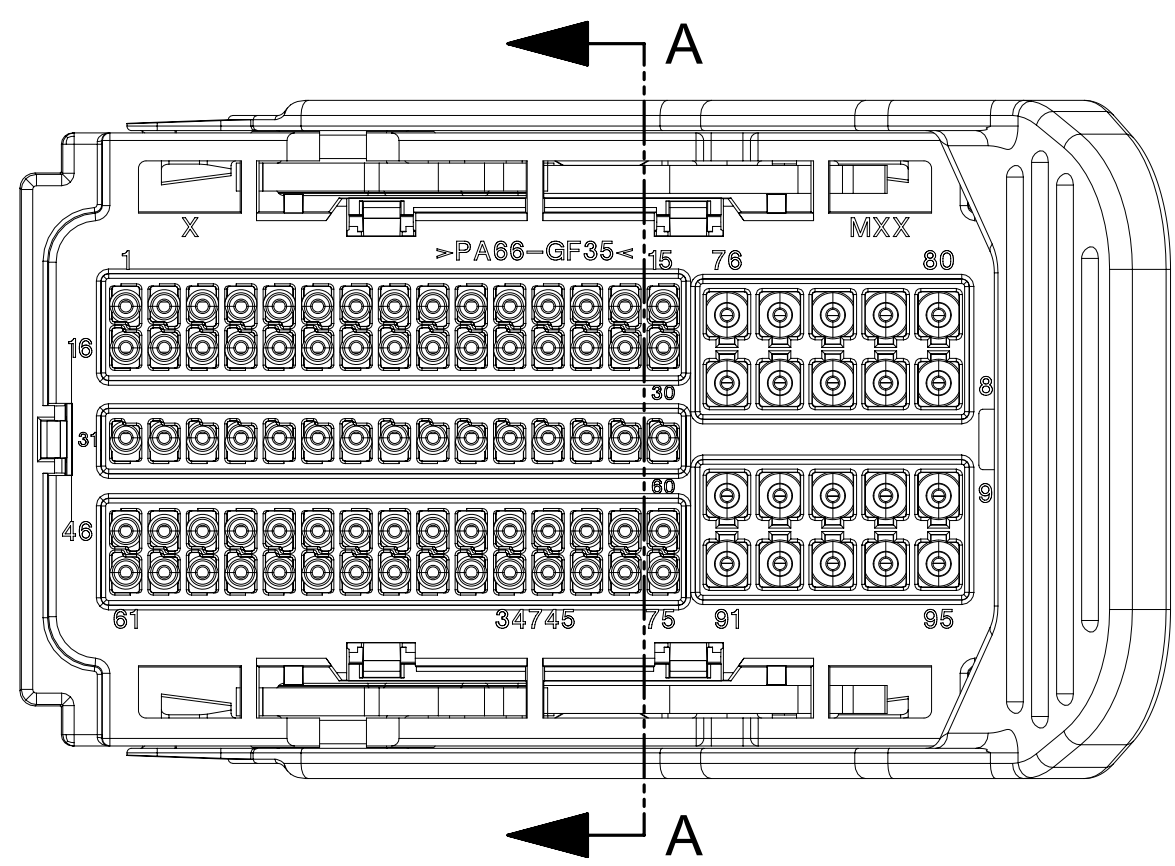


END LATCH AS SHIPPED



TOP LATCH AS SHIPPED

MATING INTERFACE CHART				
DESCRIPTION	CIRCUIT SIZE	SERIES	COLOR	INTERFACE DRAWING NUMBER
95way, Key 1	95	205251	BLACK	349920001-SD
95way, Key 2				
95way, Key 3				
95way, Key 4				
95way, Key 5				
103way, Key 1	103	205252	BLACK	349930001-SD
103way, Key 2				
103way, Key 3				
103way, Key 4				
103way, Key 5				

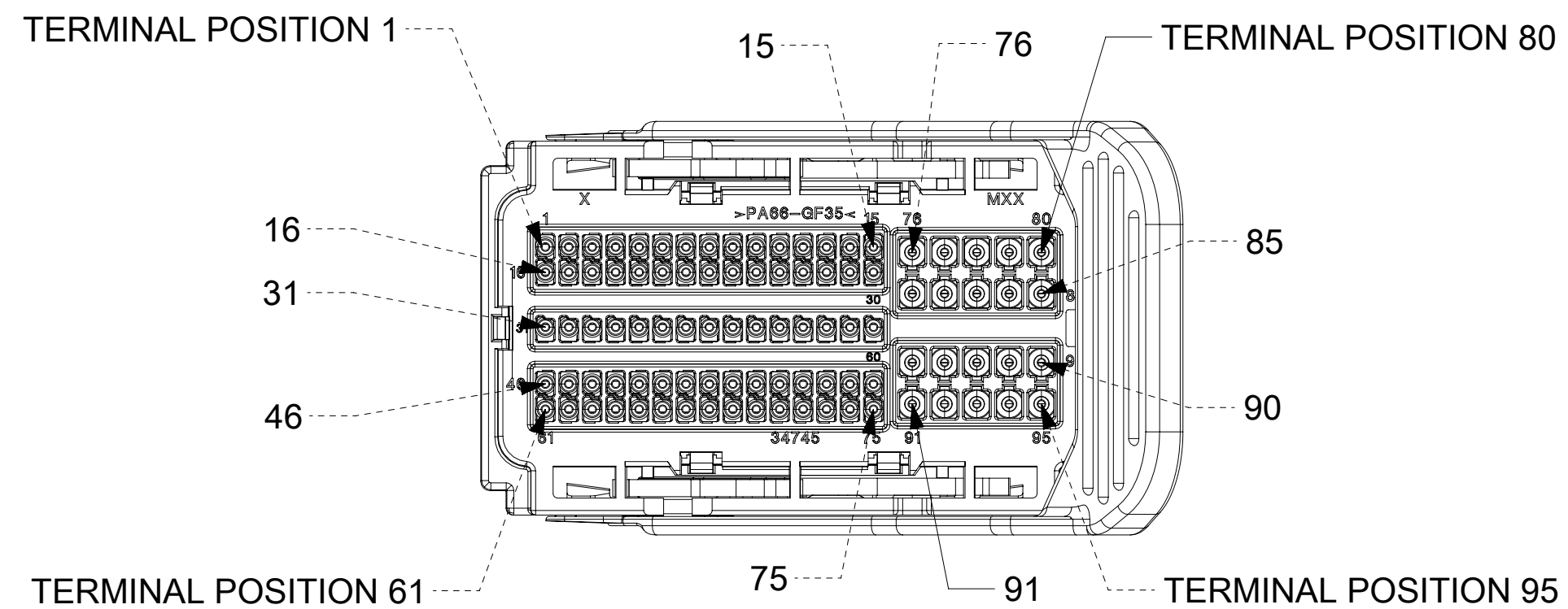


4

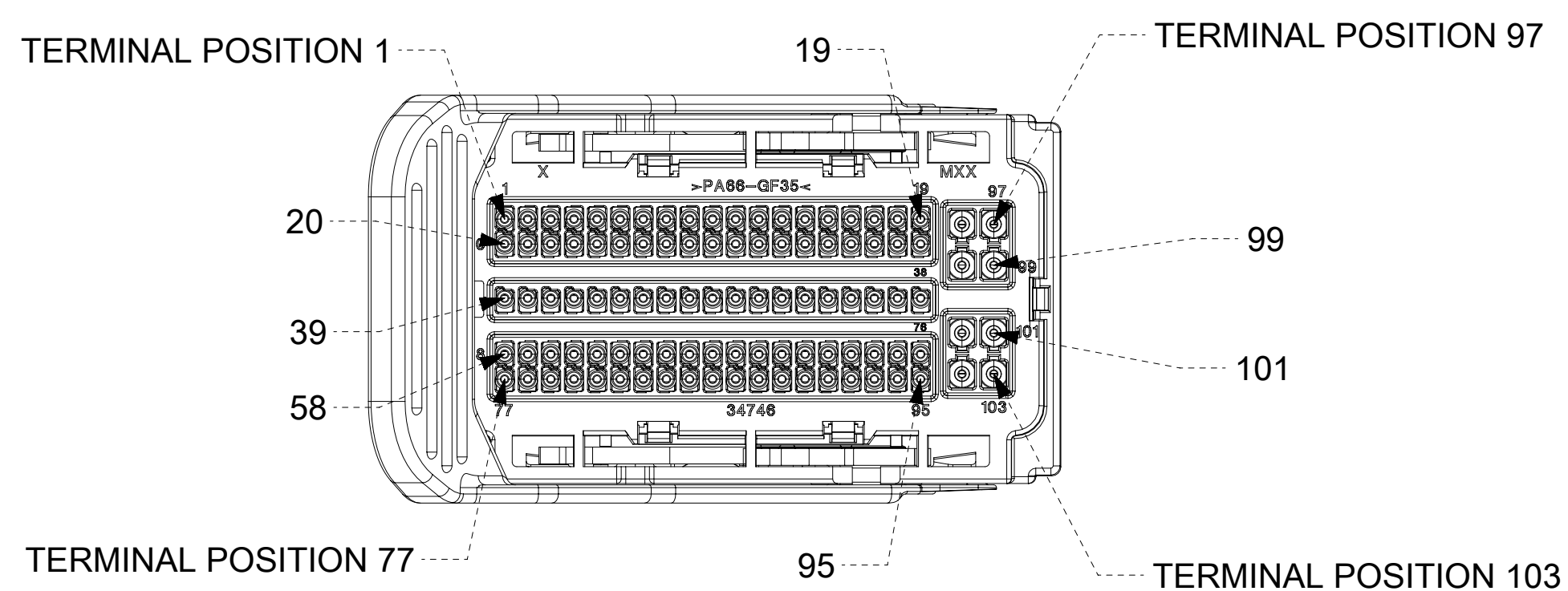
DESCRIPTION	SUPPLIER PART NUMBER	PAYOFF DIRECTION	APPLICABLE WIRE SIZE		
			ISO WIRE per GMW15626 Feb 2008 ES-AU5T-1A348-AA rev D	SAE WIRE per ESB-ML123-A 2003 SAE J1128 Dec 2005	JASO WIRE per JASO D611 2014 (Table 26 - AESSXf)
Molex MXCD64 0.64mm Ag Terminal	2077131254	D	0.35mm ² (DIA 1.20 - 1.40)		
	2077131354		0.50mm ² (DIA 1.40 - 1.60)		
			0.75mm ² (DIA 1.70 - 1.90)		
TE Gen Y 0.64mm Ag Terminal	1456968-1	RIGHT	0.35mm ² (DIA 1.20 - 1.40)	22AWG (DIA 1.50 - 1.65)	0.30mm ² (DIA 1.40 - 1.50)
	1456968-3	LEFT	0.50mm ² (DIA 1.40 - 1.60)	20AWG (DIA 1.70 - 1.85)	0.50mm ² (DIA 1.60 - 1.70)
	1456968-2	RIGHT	0.75mm ² (DIA 1.70 - 1.90)	18AWG (DIA 1.91 - 2.06)	
	1456968-4	LEFT			
Molex MX150 1.50mm Sn Terminal	33012-2001	RIGHT	1.50mm ² (DIA 2.20 - 2.40)	16AWG (DIA 2.18 - 2.34)	1.25mm ² (DIA 2.10 - 2.20)
	33012-3001	LEFT			
	33012-2002	RIGHT	0.75mm ² (DIA 1.70 - 1.90)	20AWG (DIA 1.70 - 1.85) 18AWG (DIA 1.91 - 2.06)	0.75mm ² (DIA 1.80 - 1.90)
	33012-3002	LEFT			
	33012-2003	RIGHT		22AWG (DIA 1.50 - 1.65)	
	33012-3003	LEFT			
	33012-2004	RIGHT			
33012-3004	LEFT	0.35mm ² (DIA 1.20 - 1.40)		0.50mm ² (DIA 1.60 - 1.70)	
			0.50mm ² (DIA 1.40 - 1.60)		

SYMBOLS	THIS DRAWING CONTAINS INFORMATION THAT IS PROPRIETARY TO MOLEX ELECTRONIC TECHNOLOGIES, LLC AND SHOULD NOT BE USED WITHOUT WRITTEN PERMISSION	
	DIMENSION UNITS	SCALE
▽ = 0	mm	1.5:1
▽ = 0	GENERAL TOLERANCES (UNLESS SPECIFIED)	
▽ = 0	ANGULAR TOL	± °
▽ = 0	4 PLACES	±
▽ = 0	3 PLACES	±
▽ = 0	2 PLACES	±
▽ = 0	1 PLACE	±
▽ = 0	0 PLACES	±
■ = 0	DRAFT WHERE APPLICABLE MUST REMAIN WITHIN DIMENSIONS	
▽ = 0	THIRD ANGLE PROJECTION	DRAWING
		SERIES
		D-DRAWING
		205251
CURRENT REV DESC:		
EC NO: 658759		
DRWN: BLENZE 2021/03/15		
CHK'D: BDICK01 2021/03/26		
APPR: BDICK01 2021/03/26		
INITIAL REVISION:		
DRWN: APROFFITT 2018/03/22		
APPR: BDICK01 2018/03/26		
DOCUMENT NUMBER		DOC TYPE DOC PART REVISION
2052510001-SD		PSD 000 A9
MATERIAL NUMBER	CUSTOMER	SHEET NUMBER
		1 OF 8

SHEET DESCRIPTION
CONFIGURATIONS



95 WAY

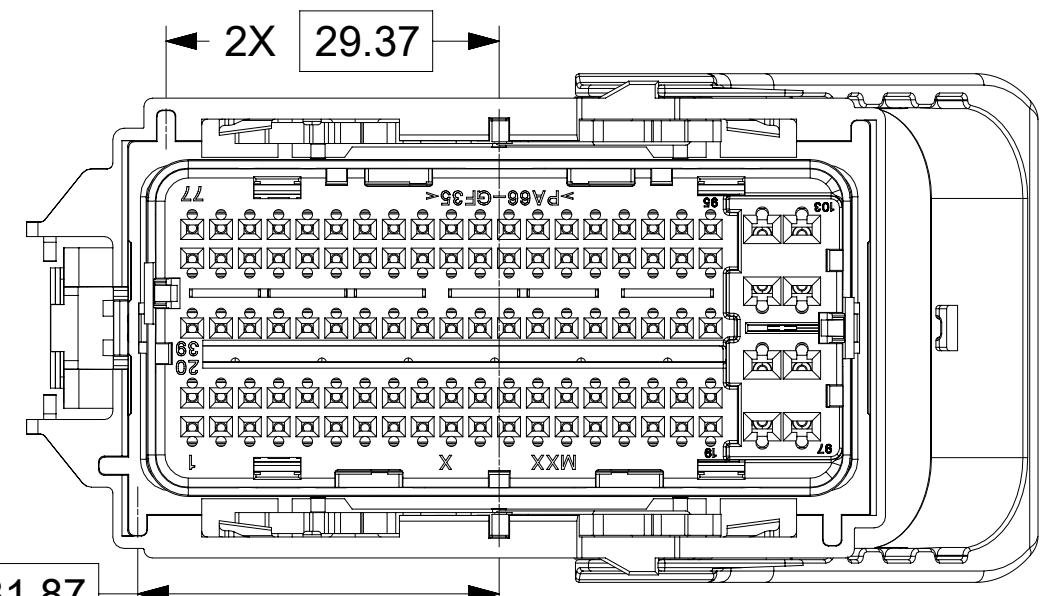


103 WAY

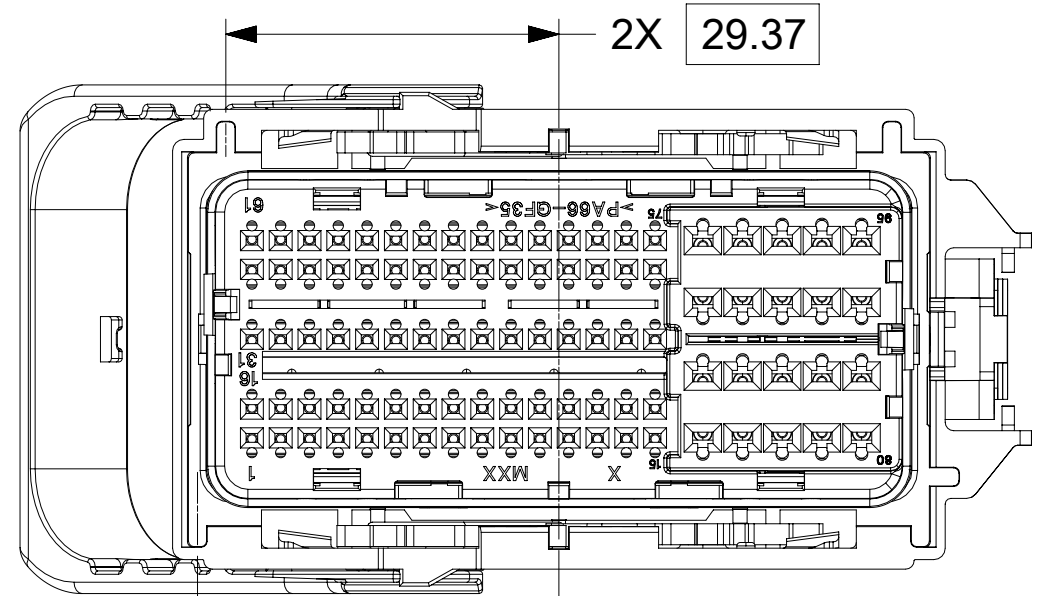
SYMBOLS	THIS DRAWING CONTAINS INFORMATION THAT IS PROPRIETARY TO MOLEX ELECTRONIC TECHNOLOGIES, LLC AND SHOULD NOT BE USED WITHOUT WRITTEN PERMISSION		
	DIMENSION UNITS	SCALE	CURRENT REV DESC:
= 0	mm	1.5:1	<p>molex</p> <p>GECU SEALED RCPT CONN ASSY</p> <p>PRODUCT CUSTOMER DRAWING</p> <p>DOCUMENT NUMBER: 2052510001-SD DOC TYPE: PSD DOC PART: 000 REVISION: A9</p> <p>SHEET NUMBER: 2 OF 8</p>
= 0	GENERAL TOLERANCES (UNLESS SPECIFIED)		
= 0	ANGULAR TOL	± °	
= 0	4 PLACES	±	
= 0	3 PLACES	±	
= 0	2 PLACES	±	
= 0	1 PLACE	±	
= 0	0 PLACES	±	
= 0	DRAFT WHERE APPLICABLE MUST REMAIN WITHIN DIMENSIONS	THIRD ANGLE PROJECTION	<p>EC NO: 658759</p> <p>DRWN: BLENZE 2021/03/15</p> <p>CHK'D: BDICK01 2021/03/26</p> <p>APPR: BDICK01 2021/03/26</p> <p>INITIAL REVISION:</p> <p>DRWN: APROFFITT 2018/03/22</p> <p>APPR: BDICK01 2018/03/26</p>
= 0		DRAWING	SERIES
		D-SIZE	205251

SHEET DESCRIPTION

POLARIZATIONS

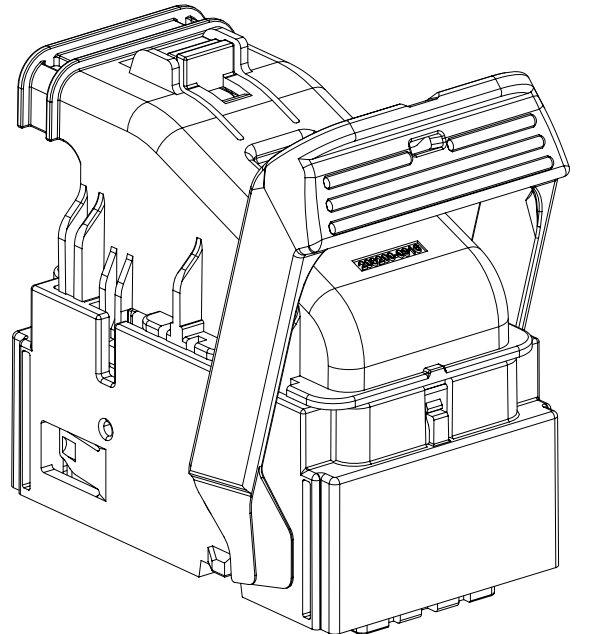
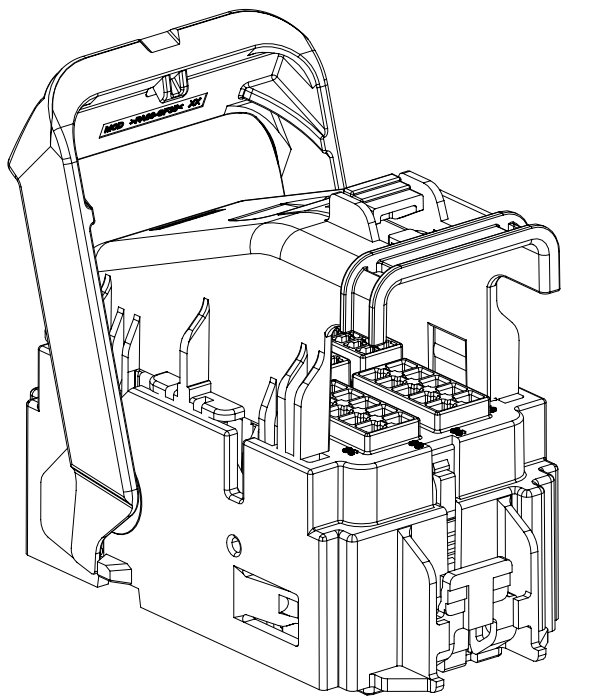
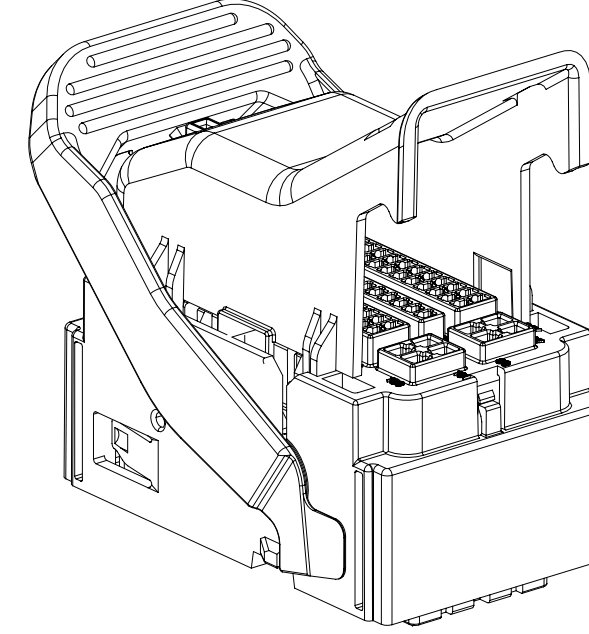
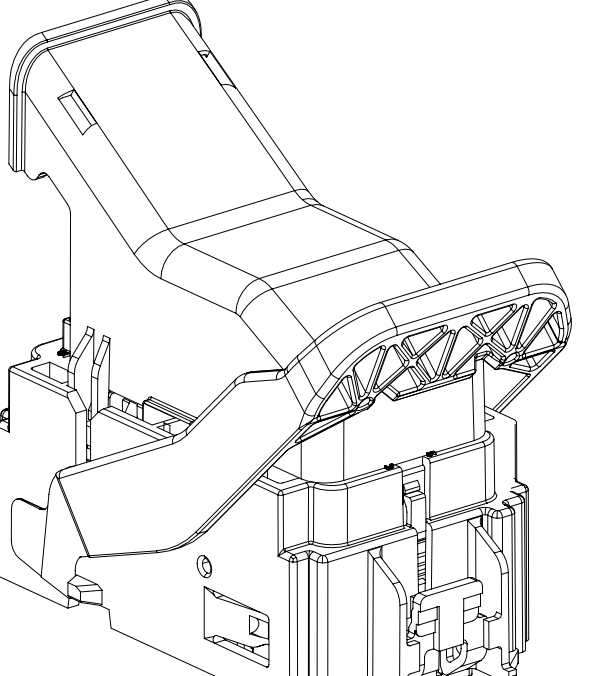
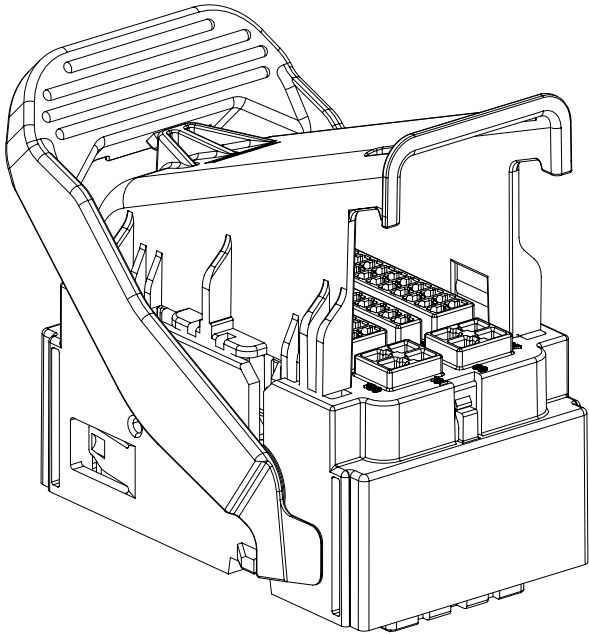
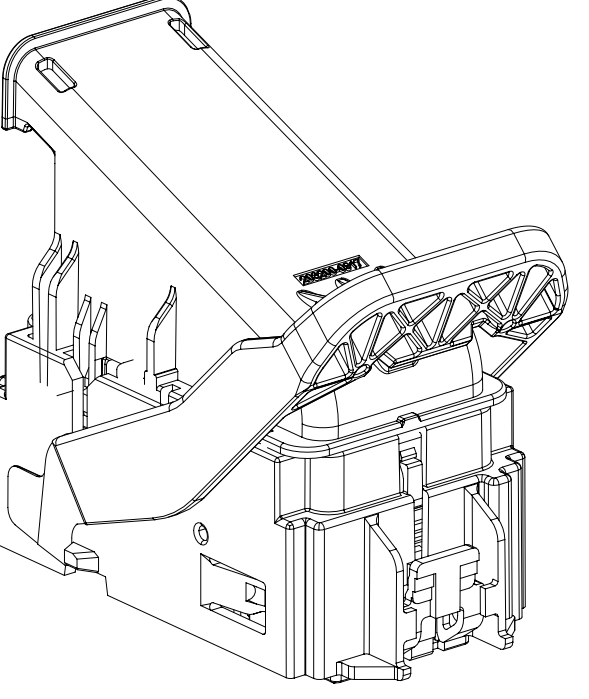
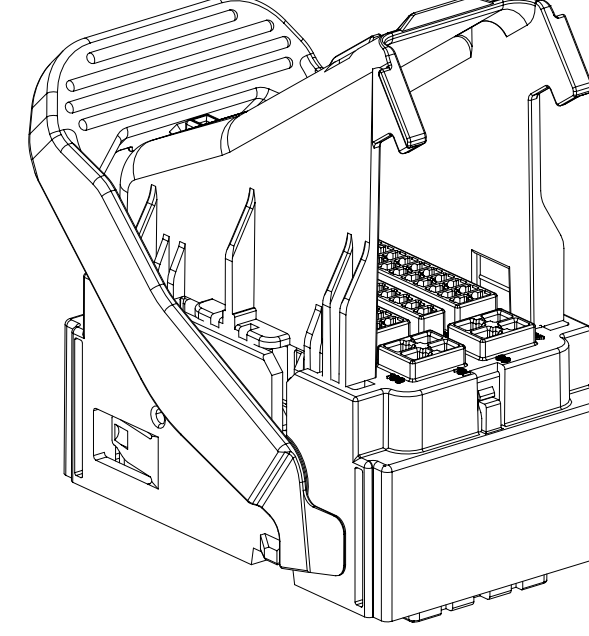
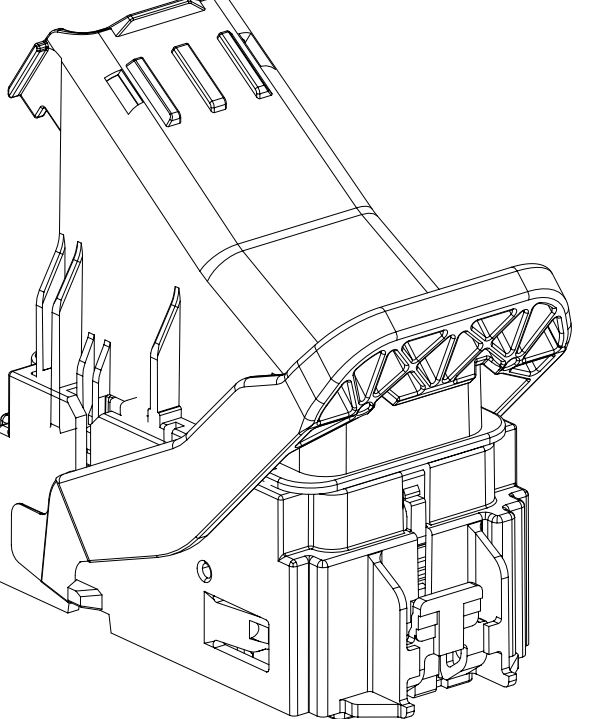


103 WAY - KEY 3



95 WAY - KEY 4

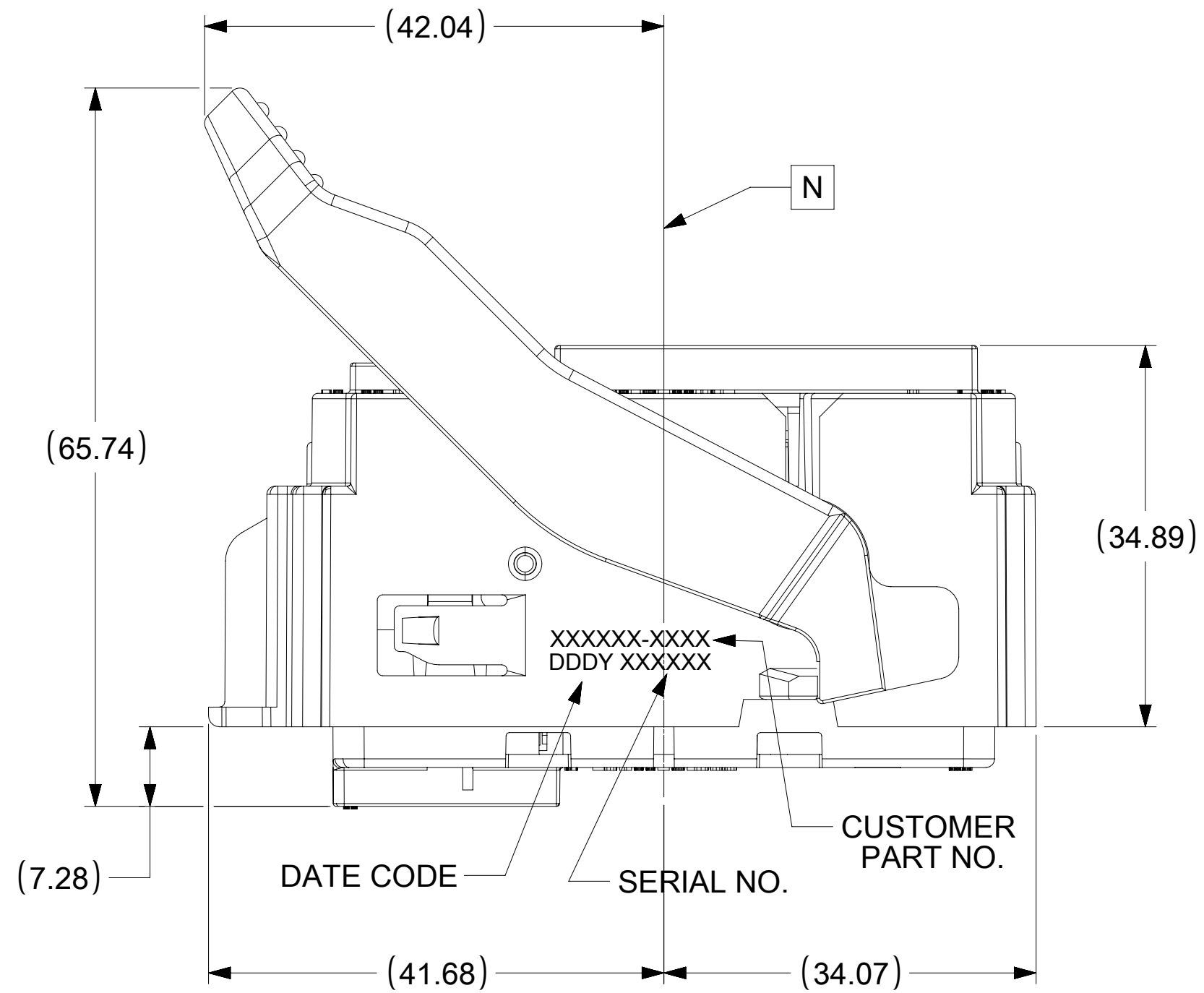
SYMBOLS	THIS DRAWING CONTAINS INFORMATION THAT IS PROPRIETARY TO MOLEX ELECTRONIC TECHNOLOGIES, LLC AND SHOULD NOT BE USED WITHOUT WRITTEN PERMISSION		
	DIMENSION UNITS	SCALE	CURRENT REV DESC:
▽ = 0	mm	1.5:1	<p>molex</p> <p>GECU SEALED RCPT CONN ASSY</p> <p>PRODUCT CUSTOMER DRAWING</p> <p>DOCUMENT NUMBER: 2052510001-SD DOC TYPE: PSD DOC PART: 000 REVISION: A9</p>
▽ = 0	GENERAL TOLERANCES (UNLESS SPECIFIED)		
▽ = 0	ANGULAR TOL	± °	
▽ = 0	4 PLACES	±	
▽ = 0	3 PLACES	±	
▽ = 0	2 PLACES	±	<p>EC NO: 658759</p> <p>DRWN: BLENZE 2021/03/15</p> <p>CHK'D: BDICK01 2021/03/26</p> <p>APPR: BDICK01 2021/03/26</p>
▽ = 0	1 PLACE	±	<p>INITIAL REVISION:</p> <p>DRWN: APROFFITT 2018/03/22</p> <p>APPR: BDICK01 2018/03/26</p>
▽ = 0	0 PLACES	±	<p>DRAFT WHERE APPLICABLE MUST REMAIN WITHIN DIMENSIONS</p> <p>THIRD ANGLE PROJECTION</p> <p>DRAWING: D-SIZE SERIES: 205251</p>
□ = 0	MATERIAL NUMBER CUSTOMER SHEET NUMBER		
▽ = 0			3 OF 8

103 WAY		95 WAY
	203200-0916 COVER	
	203200-0902 COVER	
	203200-0917 COVER	
	203200-0910 COVER	

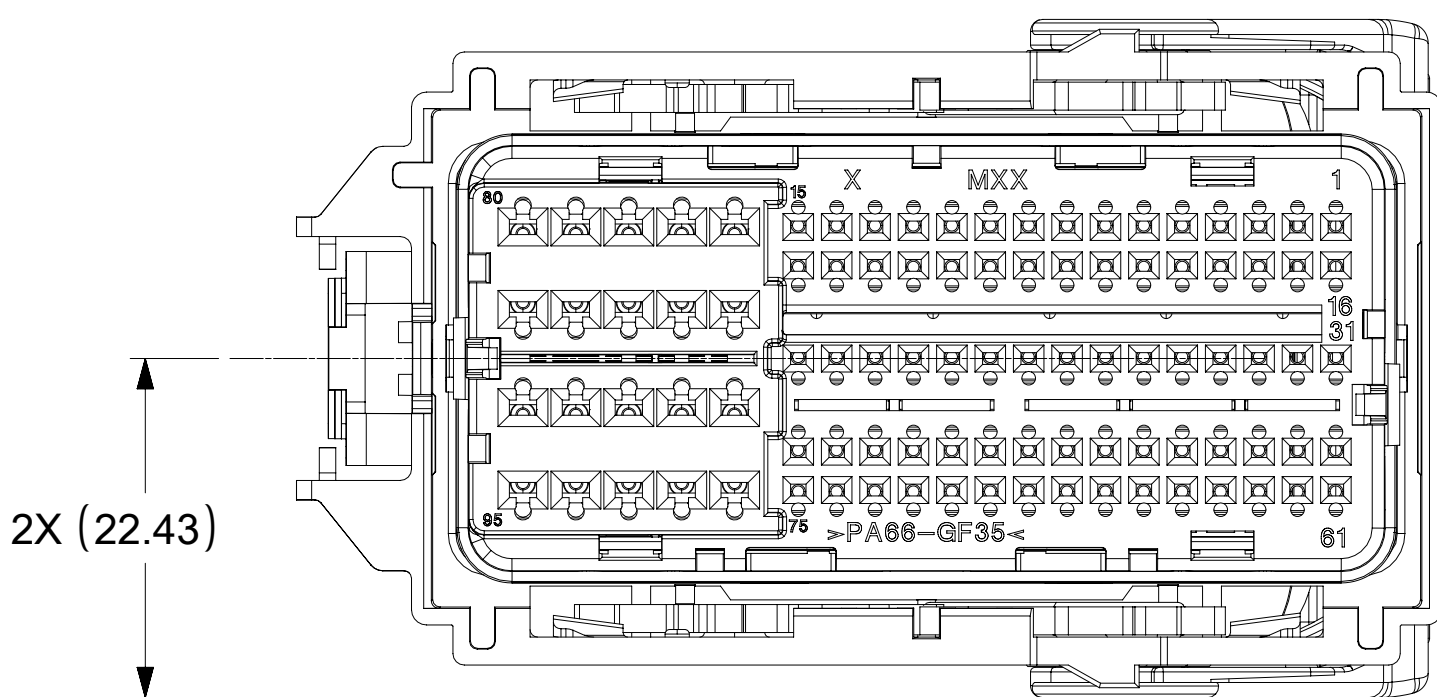
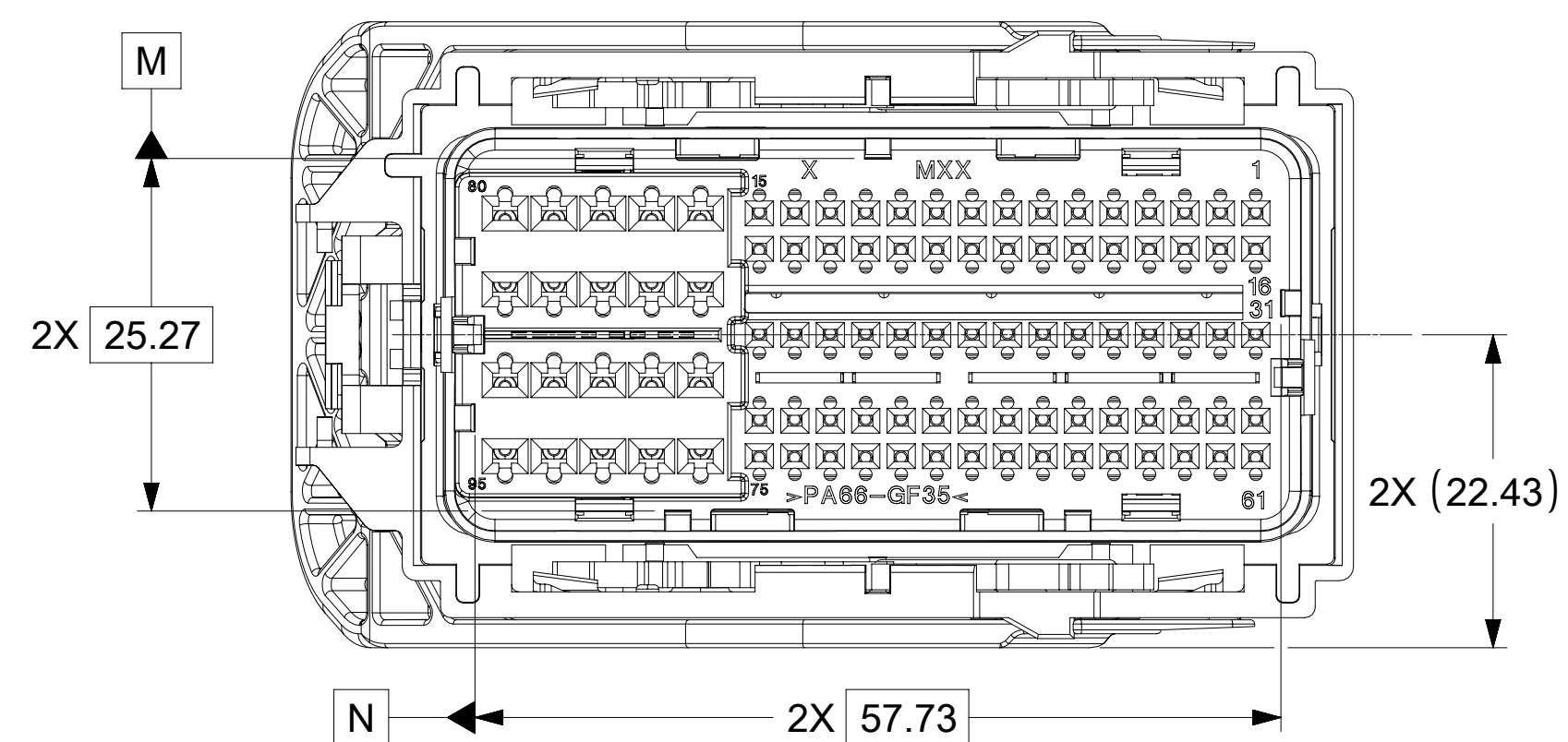
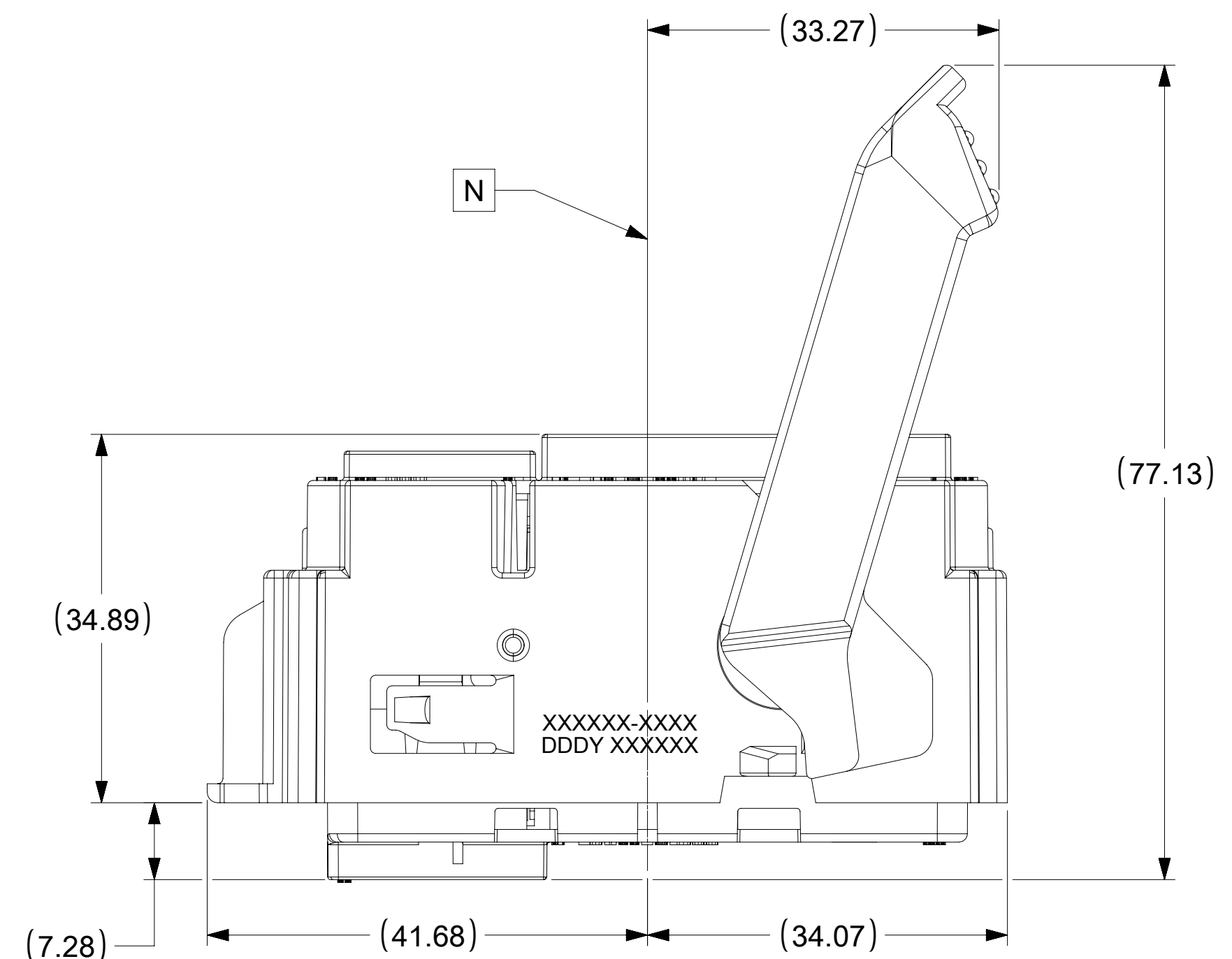
THE FOLLOWING COMPONENTS ARE SOLD SEPARATELY.
SEE BOM FOR ADDITIONAL INFORMATION.

SYMBOLS	THIS DRAWING CONTAINS INFORMATION THAT IS PROPRIETARY TO MOLEX ELECTRONIC TECHNOLOGIES, LLC AND SHOULD NOT BE USED WITHOUT WRITTEN PERMISSION		
	DIMENSION UNITS	SCALE	CURRENT REV DESC:
= 0	mm	1:1	<p>molex</p> <p>GECU SEALED RCPT CONN ASSY</p> <p>PRODUCT CUSTOMER DRAWING</p> <p>DOCUMENT NUMBER: 2052510001-SD DOC TYPE: PSD DOC PART: 000 REVISION: A9</p> <p>EC NO: 658759 DRWN: BLENZE 2021/03/15 CHK'D: BDICK01 2021/03/26 APPR: BDICK01 2021/03/26</p> <p>INITIAL REVISION: DRWN: APROFFITT 2018/03/22 APPR: BDICK01 2018/03/26</p> <p>DRAFT WHERE APPLICABLE MUST REMAIN WITHIN DIMENSIONS</p> <p>THIRD ANGLE PROJECTION</p> <p>DRAWING SERIES: D-SIZE 205251</p> <p>MATERIAL NUMBER CUSTOMER SHEET NUMBER: 4 OF 8</p>
= 0	GENERAL TOLERANCES (UNLESS SPECIFIED)		
= 0	ANGULAR TOL ± °		
= 0	4 PLACES ±		
= 0	3 PLACES ±		
= 0	2 PLACES ±		
= 0	1 PLACE ±		
= 0	0 PLACES ±		
= 0			
= 0			

END LATCH

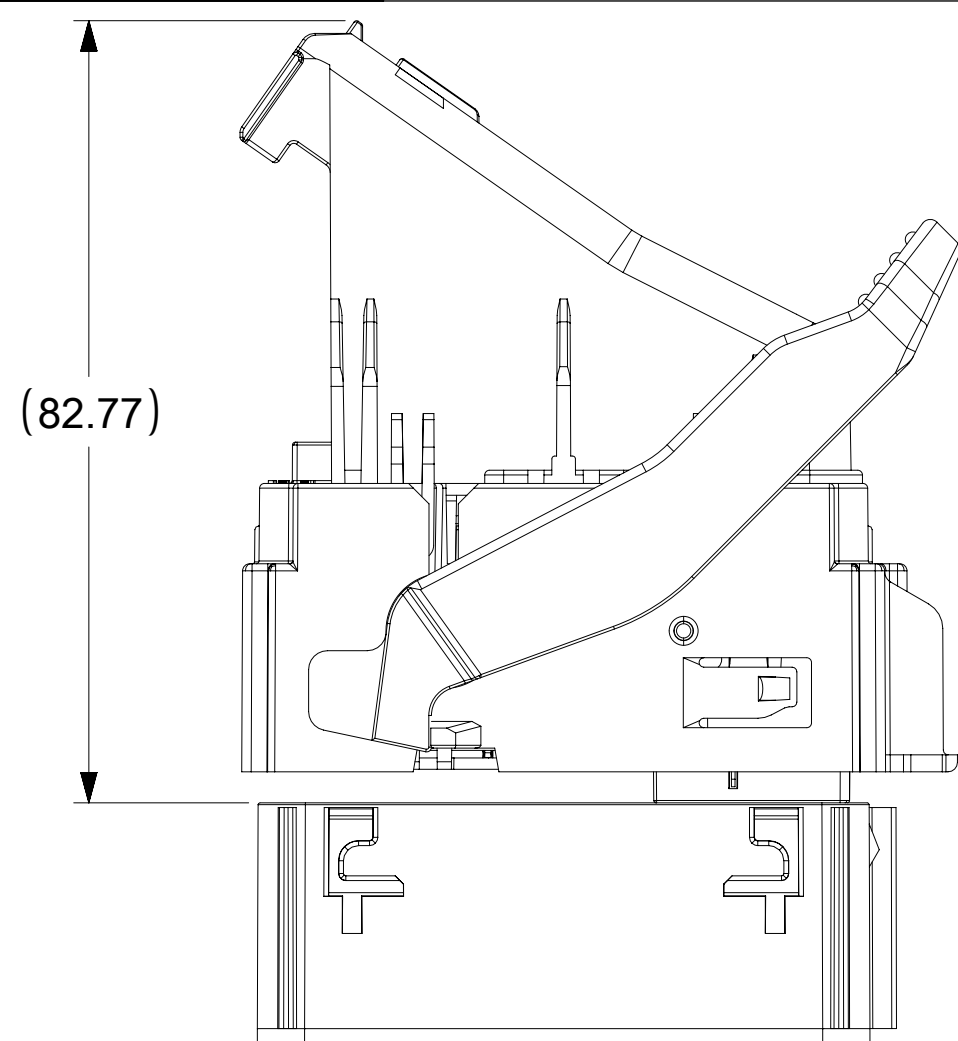


TOP LATCH

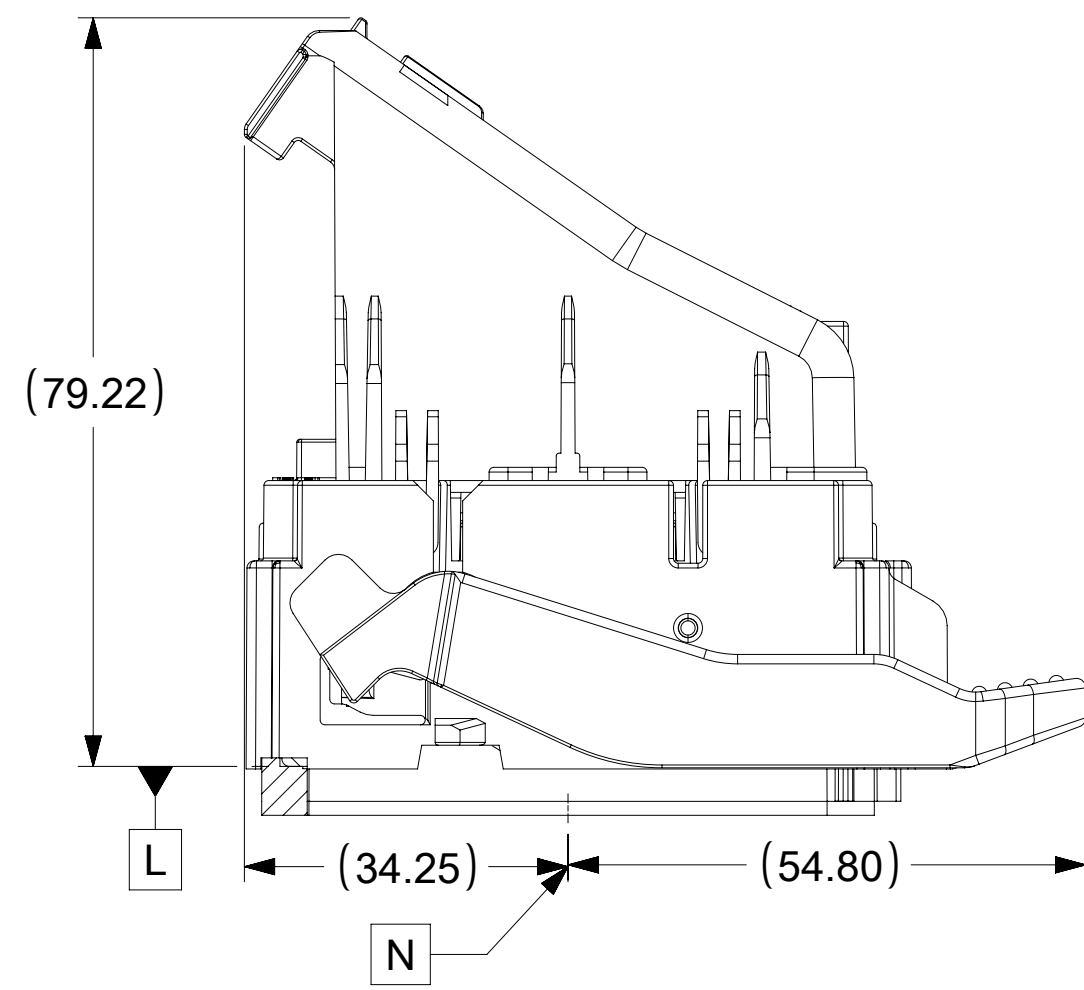


SYMBOLS	THIS DRAWING CONTAINS INFORMATION THAT IS PROPRIETARY TO MOLEX ELECTRONIC TECHNOLOGIES, LLC AND SHOULD NOT BE USED WITHOUT WRITTEN PERMISSION		CURRENT REV DESC:		molex		
	DIMENSION UNITS	SCALE					
▽ = 0	mm	2:1	EC NO: 658759 DRWN: BLENZE 2021/03/15 CHK'D: BDICK01 2021/03/26 APPR: BDICK01 2021/03/26 INITIAL REVISION: DRWN: APROFFITT 2018/03/22 APPR: BDICK01 2018/03/26		GECU SEALED RCPT CONN ASSY		
▽ = 0	GENERAL TOLERANCES (UNLESS SPECIFIED)				PRODUCT CUSTOMER DRAWING		
▽ = 0	ANGULAR TOL ± °				DOCUMENT NUMBER		
▽ = 0	4 PLACES ±				2052510001-SD		
▽ = 0	3 PLACES ±				DOC TYPE DOC PART REVISION		
▽ = 0	2 PLACES ±				PSD 000 A9		
▽ = 0	1 PLACE ±		MATERIAL NUMBER		CUSTOMER		
▽ = 0	0 PLACES ±		SERIES		SHEET NUMBER		
▽ = 0	DRAFT WHERE APPLICABLE MUST REMAIN WITHIN DIMENSIONS		THIRD ANGLE PROJECTION		D-SIZE 205251		
▽ = 0					5 OF 8		

203200-0910 COVER



INSTALL



FINAL LOCK

SYMBOLS	THIS DRAWING CONTAINS INFORMATION THAT IS PROPRIETARY TO MOLEX ELECTRONIC TECHNOLOGIES, LLC AND SHOULD NOT BE USED WITHOUT WRITTEN PERMISSION		
		DIMENSION UNITS	SCALE
	= 0	mm	1.25:1
		GENERAL TOLERANCES (UNLESS SPECIFIED)	
	= 0	ANGULAR TOL ± °	
		4 PLACES	±
		3 PLACES	±
		2 PLACES	±
		1 PLACE	±
		0 PLACES	±
	DRAFT WHERE APPLICABLE MUST REMAIN WITHIN DIMENSIONS	THIRD ANGLE PROJECTION	DRAWING SERIES
= 0			D-SIZE 205251
CURRENT REV DESC:		EC NO: 658759	
		DRWN: BLENZE 2021/03/15	
		CHK'D: BDICK01 2021/03/26	
		APPR: BDICK01 2021/03/26	
INITIAL REVISION:		DRWN: APROFFITT 2018/03/22	
		APPR: BDICK01 2018/03/26	
DOCUMENT NUMBER		DOC TYPE	DOC PART
2052510001-SD		PSD	000
REVISION		A9	
MATERIAL NUMBER		CUSTOMER	
SHEET NUMBER		7 OF 8	

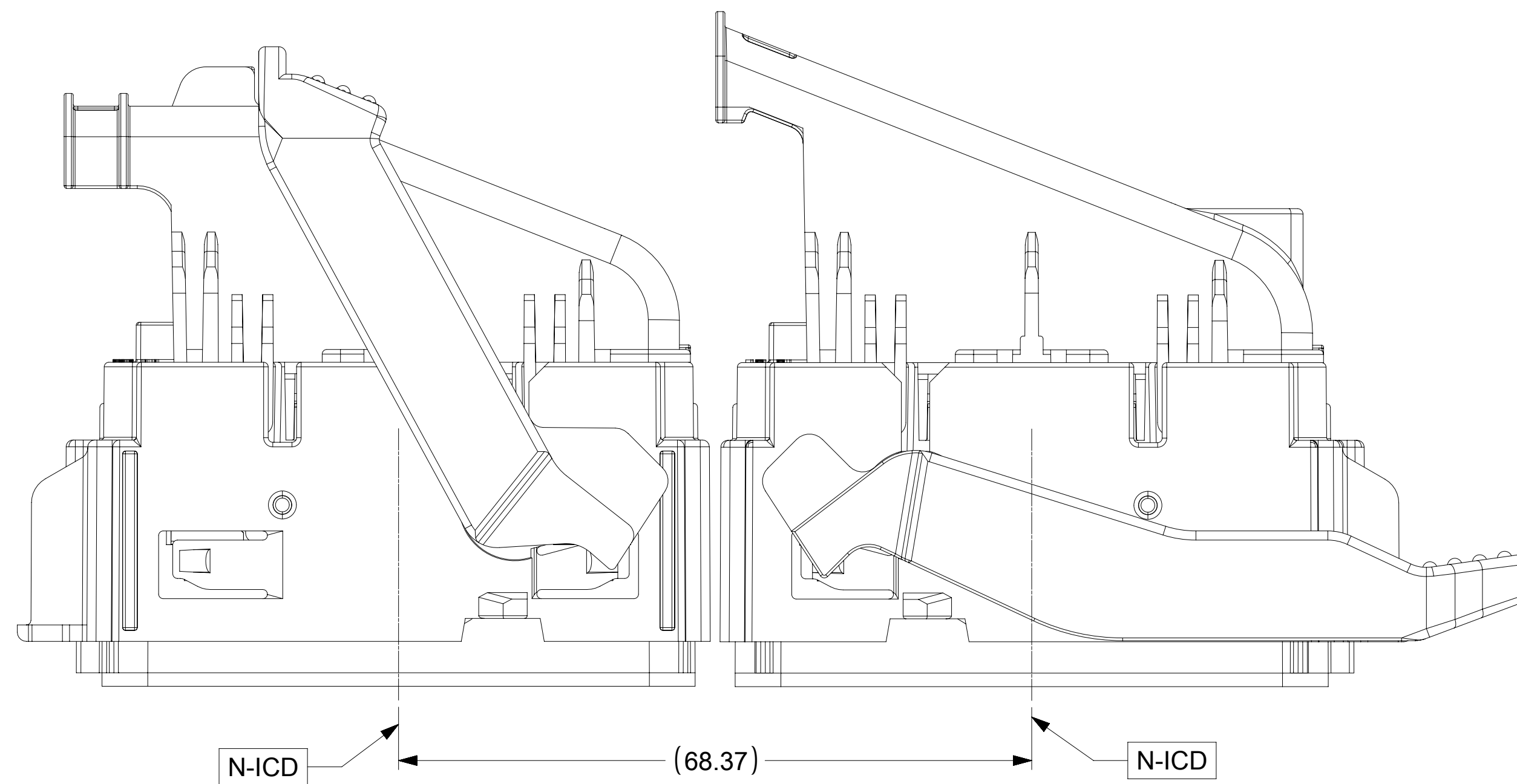
molex

GECU SEALED RCPT CONN ASSY

PRODUCT CUSTOMER DRAWING

SHEET DESCRIPTION

RCPT PACKAGING



SYMBOLS = 0 = 0 = 0 = 0 = 0 = 0 = 0 = 0 = 0 = 0	THIS DRAWING CONTAINS INFORMATION THAT IS PROPRIETARY TO MOLEX ELECTRONIC TECHNOLOGIES, LLC AND SHOULD NOT BE USED WITHOUT WRITTEN PERMISSION					
	DIMENSION UNITS	SCALE	CURRENT REV DESC:			
	mm	2:1				
	GENERAL TOLERANCES (UNLESS SPECIFIED)					
	ANGULAR TOL	± °				
	4 PLACES	±				
	3 PLACES	±				
	2 PLACES	±				
	1 PLACE	±				
	0 PLACES	±				
DRAFT WHERE APPLICABLE MUST REMAIN WITHIN DIMENSIONS	THIRD ANGLE PROJECTION	DRAWING	SERIES	MATERIAL NUMBER	CUSTOMER	SHEET NUMBER
		D-SIZE	205251			8 OF 8

molex

GECU SEALED RCPT CONN ASSY

PRODUCT CUSTOMER DRAWING

EC NO: 658759
 DRWN: BLENZE 2021/03/15
 CHK'D: BDICK01 2021/03/26
 APPR: BDICK01 2021/03/26

INITIAL REVISION:
 DRWN: APROFFITT 2018/03/22
 APPR: BDICK01 2018/03/26

DOCUMENT NUMBER	DOC TYPE	DOC PART	REVISION
2052510001-SD	PSD	000	A9

