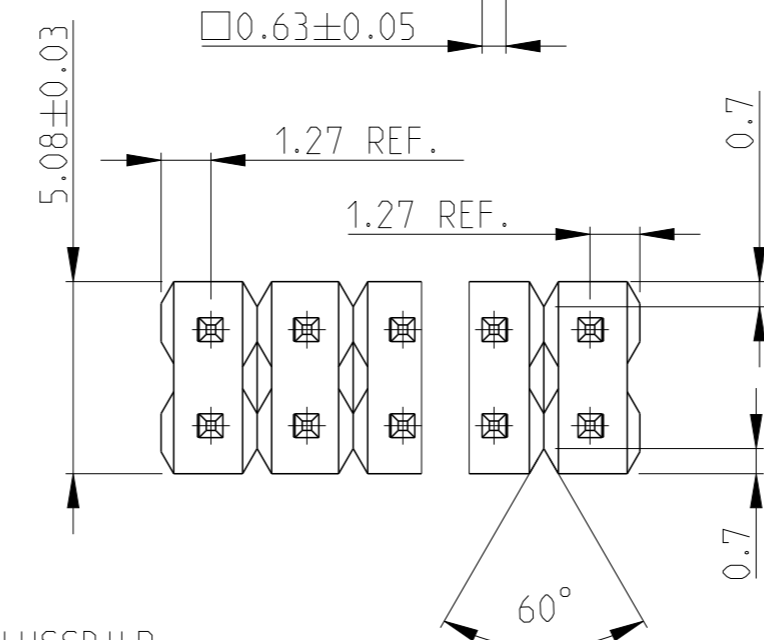
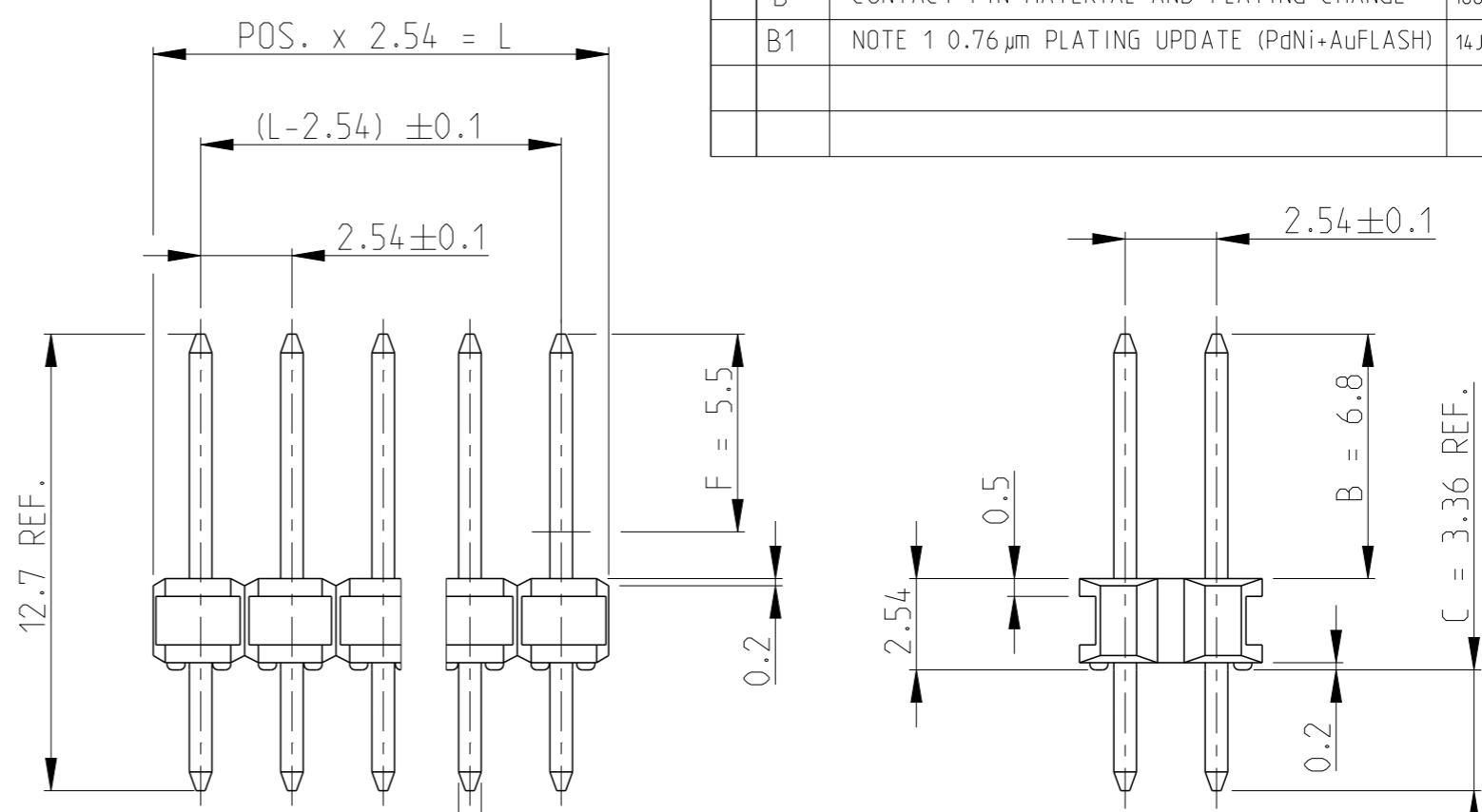


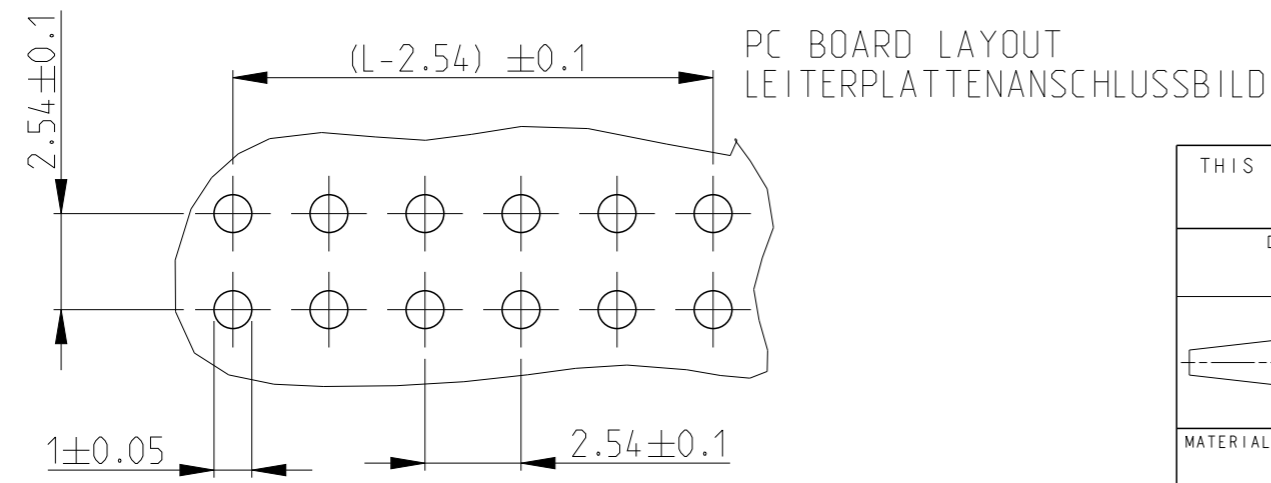
POS. PER ROW	L ±0.5	PART - NO.	POS. PER ROW	L ±0.5	PART - NO.	
-	-	-	26	66.04	2-829 394-6/2	
2	5.08	829 394-2 3	27	68.58	2- 7 2	
3	7.62	↑ -3	28	71.12	2- 8 2	
4	10.16	↑ -4	29	73.66	2- 9 2	
5	12.70	↑ -5	30	76.20	3- 0 2	
6	15.24	↑ -6/3	31	78.74	3- 1 2	
7	17.78	↑ -7	32	81.28	3-	-2
8	20.32	↑ -8	33	83.82	3- 3 2	
9	22.86	↑ -9/3	34	86.36	3- 4 2	
10	25.40	1- -0	35	88.90	3- 5 2	
11	27.94	1- -1/2	36	91.44	3- 6 2	
12	30.48	1- -2/2	37	93.98	3-	-7
13	33.02	1- -3/3	38	96.52	3-	-8
14	35.56	1- -4/2	39	99.06	3-	-9
15	38.10	1- -5/3	40	101.60	4-	-0
16	40.64	1- -6/2	41	104.14	4-	-1
17	43.18	1- -7	42	106.68	4-	-2
18	45.72	1- -8/2	43	109.22	4-	-3
19	48.26	1- -9/2	44	111.76	4-	-4
20	50.80	2- -0/3	45	114.30	4-	-5
21	53.34	2- -1/3	46	116.84	4-	-6
22	55.88	2- -2/2	47	119.38	4-	-7
23	58.42	2- -3/2	48	121.92	4-	-8
24	60.96	2- -4/2	49	124.46	4-	-9
25	63.50	2- 829 394-5 3	50	127.00	5-829 394-0	

P	LTR	DESCRIPTION	DATE	DWN	APVD
B		CONTACT PIN MATERIAL AND PLATING CHANGE	16OCT2014	KJK	JK
B1		NOTE 1 0.76 µm PLATING UPDATE (PdNi+AuFLASH)	14JUL2023	BGC	PS


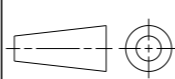


- 1 MIN 0.76 µm (PdNi + Au FLASH) BY AREA "F" OVER MIN, 1.27 µm Ni BY AREA "B" IN AREA "C" MIN. 3 µm TIN OVER MIN. 1.27 µm Ni (Alternative plating - Min 0.76 µm Au OVER 1.27 µm Ni)
- 2 OBSOLETE PARTS: OBSOLETE C IS STREAMLINING PER D.RENAUD/D.SINISI
- 3 OBSOLETE

1	CuZn	CONTACT PIN KONTAKTSTIFT
COLOUR GREEN	PBT GV UL 94 - V0	PIN HOUSING STIFTGEHAEUSE
REMARK BEMERKUNG	MATERIAL	DESCRIPTION BEZEICHNUNG



THIS DRAWING IS A CONTROLLED DOCUMENT.

DIMENSIONS: mm	TOLERANCES UNLESS OTHERWISE SPECIFIED:	DWN G.ACKERMANN 24 JUN2005	 TE Connectivity NAME AMPMODU II PIN HEADER, DUAL ROW
	0 PLC ±0.2	CHK M.SCHAARSCHMIDT 24 JUN2005	
	1 PLC ±0.2	APVD G.FELDMEIER 24 JUN2005	
	2 PLC ±0.2	PRODUCT SPEC 108-18012	
	3 PLC ±	APPLICATION SPEC -	SIZE A3
	4 PLC ±	WEIGHT -	CAGE CODE 00779
MATERIAL -	FINISH -	CUSTOMER DRAWING	DRAWING NO. C-829394
			RESTRICTED TO -
			SCALE 5:1
			SHEET 1 OF 1
			REV B1