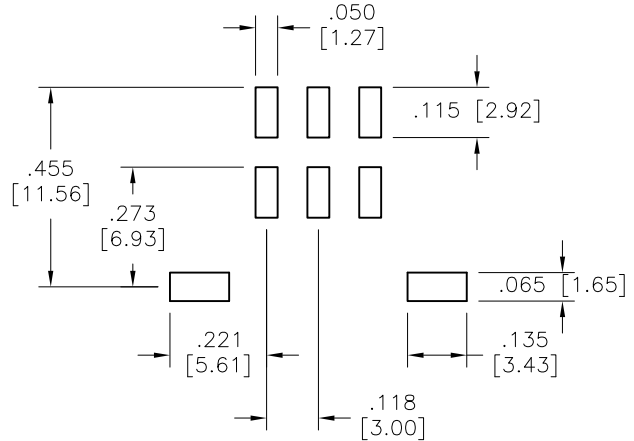
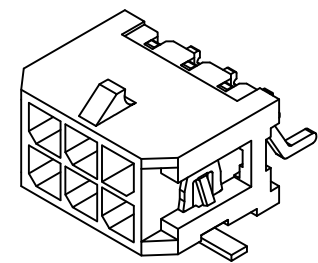
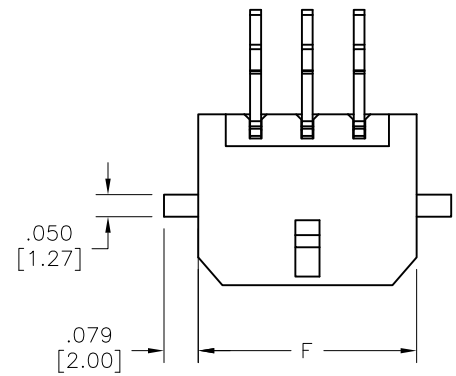


Rev	AWO #	Description	Date	Appr
-		RELEASED	6/15/12	

APPROVED: \_\_\_\_\_  
DATE: \_\_\_\_\_ TITLE: \_\_\_\_\_



PCB Layout: Component side



**Dimensional Information**

Unit: mm

CIRCUITS	DIM. E	DIM. F	CIRCUITS	DIM. E	DIM. F
2		6.65	14	18.0	24.65
4	3.0	9.65	16	21.0	27.65
6	6.0	12.65	18	24.0	30.65
8	9.0	15.65	20	27.0	33.65
10	12.0	18.65	22	30.0	36.65
12	15.0	21.65	24	33.0	39.65

**SPECIFICATIONS:**

Material:  
Insulator: Hi-temp thermoplastic, rated UL 94V-0  
Insulator color: Black  
Contacts: Brass

**Plating:**

Tin over Copper underplate overall

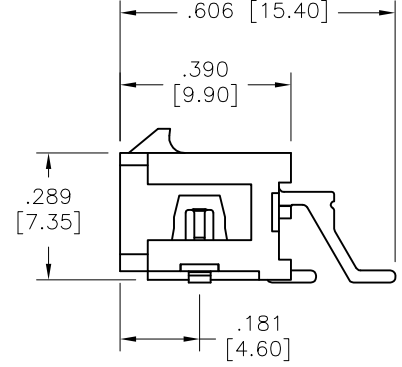
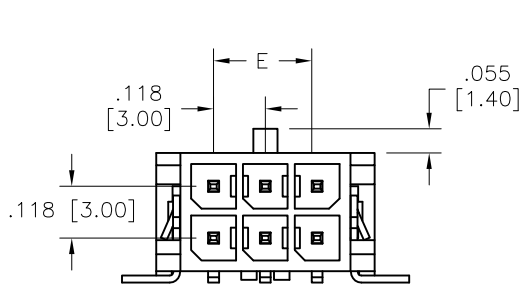
**Electrical:**

Operating voltage: 250V AC, DC  
Current rating: 5A AC, DC  
Contact resistance: 10 mohms max.  
Dielectric withstanding voltage: 1500 VAC for 1 minute

**Temperature Rating:**

Ambient temperature: -25°C to +85°C  
Environmental:

Lead free, RoHS compliant.



PACKAGED ON TAPE & REEL

UNLESS OTHERWISE SPECIFIED  
ALL DIMENSIONS ARE INCHES [MM]  
TOLERANCES: EXCEPT AS NOTED  
INCHES HOLES  
.X ±.10 Ø.X ±.10  
.XX ±.020 Ø.XX ±.015  
.XXX ±.015 Ø.XXX ±.010

**ADAM TECH**  
909 Rahway Avenue, Union, NJ 07083  
Phone: 908-687-5000 Fax: 908-687-5710

APPROVALS		DATE
DRAWN	AY	6/15/12
CHECKED	AH	6/15/12
APPROVED		

TITLE DUAL ROW, .118"(3.0MM) PITCH, SMT HOUSING & TERMINAL, W/ FITTING NAIL		
SIZE X	PART NO. DML-XX-A-H-T-A-TSMT-T/R	REV. -
REF: S00123T	SCALE: NTS	SHEET 1 OF 1