

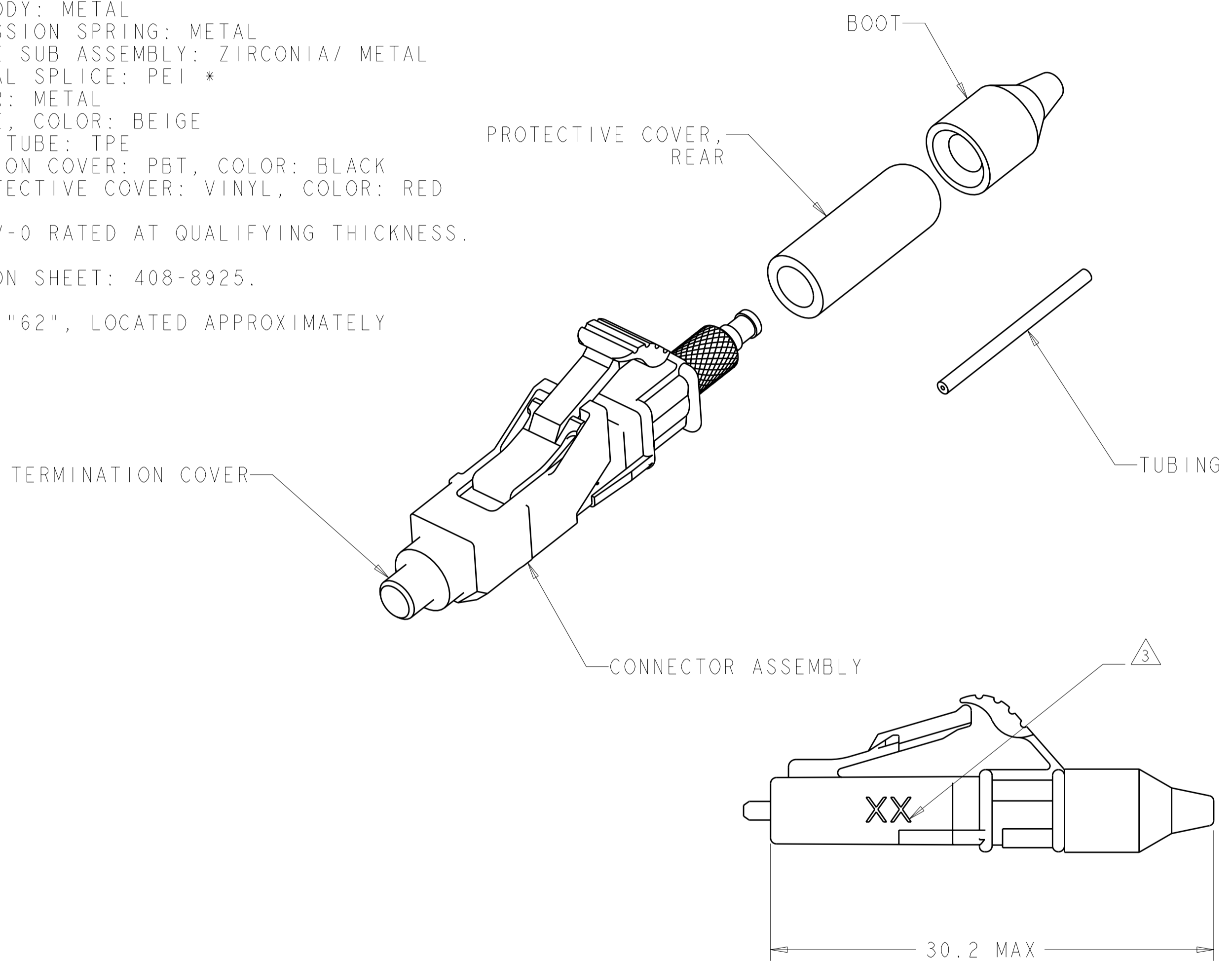
THIS DRAWING IS UNPUBLISHED. RELEASED FOR PUBLICATION 20  
 © COPYRIGHT 20 BY TYCO ELECTRONICS CORPORATION. ALL RIGHTS RESERVED.

LOC	DIST	REVISIONS			
P	LTR	DESCRIPTION	DATE	DWN	APVD
CE	00				
	A	REL TO ACTIVE STATUS/ 06-027039	8JAN2007	DDE	EH
	B	ECR-08-031868	22DEC2008	KG	SB

1 MATERIAL:  
 CONNECTOR ASSEMBLY:  
 CONNECTOR HOUSING: PPSU, COLOR: SEE -NO'S.\*  
 REAR BODY: METAL  
 COMPRESSION SPRING: METAL  
 FERRULE SUB ASSEMBLY: ZIRCONIA/ METAL  
 INTERNAL SPLICE: PEI \*  
 PLUNGER: METAL  
 BOOT: TPE, COLOR: BEIGE  
 BUILD-UP TUBE: TPE  
 TERMINATION COVER: PBT, COLOR: BLACK  
 REAR PROTECTIVE COVER: VINYL, COLOR: RED

\* UL 94 V-0 RATED AT QUALIFYING THICKNESS.

2. INSTRUCTION SHEET: 408-8925.  
 3 MARK WITH "62", LOCATED APPROXIMATELY AS SHOWN.



SLATE	1-1828855-0
ORANGE	1828855-9
VIOLET	1828855-8
BROWN	1828855-7
AQUA	1828855-6
ROSE	1828855-5
BLUE	1828855-4
GREEN	1828855-3
YELLOW	1828855-2
RED	1828855-1
KEYED HOUSING COLOR	PART NO.

THIS DRAWING IS A CONTROLLED DOCUMENT FOR TYCO ELECTRONICS CORPORATION. IT IS SUBJECT TO CHANGE AND THE CONTROLLING ENGINEERING ORGANIZATION SHOULD BE CONTACTED FOR THE LATEST REVISION.		DWN D. ERDMAN 11AUG05	Tyco Electronics Harrisburg, PA 17105-3608	
DIMENSIONS: mm		CHK M. GURRERI 11AUG05	NAME KIT, CONNECTOR, LightCrimp Plus LC SECURE, SIMPLEX, MM62.5	
TOLERANCES UNLESS OTHERWISE SPECIFIED: 0 PLC ± 1 PLC ± 2 PLC ± 3 PLC ± 4 PLC ± ANGLES ± FINISH		APVD D. BAECHEL 11AUG05	PRODUCT SPEC -	RESTRICTED TO -
MATERIAL		APPLICATION SPEC -	WEIGHT -	SIZE A2
		CUSTOMER DRAWING	SCALE 4:1	SHEET 1 OF 1 REV B