

THIS DRAWING IS UNPUBLISHED.

RELEASED FOR PUBLICATION

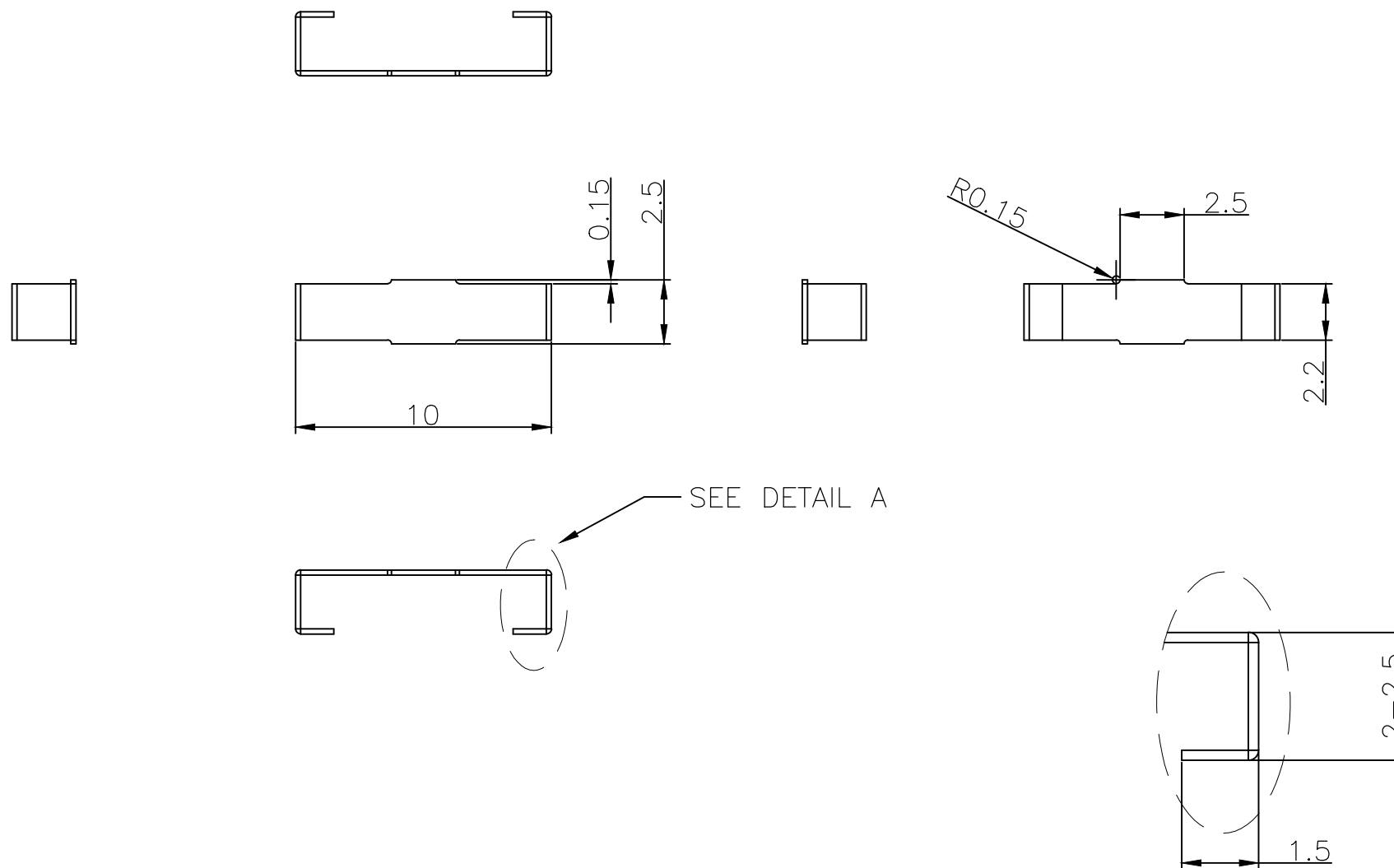
REVISIONS

© COPYRIGHT - TE Connectivity Ltd.

ALL RIGHTS RESERVED.

P	LTR	DESCRIPTION	DATE	DWN	APVD
	C	REVISED PER ECO-20-000891	14JAN2019	SJ	JH

GENERAL TOLERANCE : ±0.1  
AS SHOWN 2108964-1



SEE DETAIL A

DETAIL A  
SCALE 8:1

NOTE

- ① Material : Electrolytic Tin Plate
- ② Thickness : 0.2 t
- ③ Finish (Plating Spec.)
  - Under Ni Plating : 1~3um micro meter
  - Matt Tin Ni Plating : 2~5um micro meter
- ④ PACKING MATERIAL MUST BE TAPE AND REEL

THIS DRAWING IS A CONTROLLED DOCUMENT.		DWN SJ.NOH	24MAY2017	<b>STE</b> TE Connectivity	
DIMENSIONS: mm		CHK -	-		
TOLERANCES UNLESS OTHERWISE SPECIFIED:		APVD JH.KIM	24MAY2017	NAME STAMPING ELEMENT FOR WIFI ANTENNA	
0 PLC ± -		PRODUCT SPEC -		APPLICATION SPEC -	
1 PLC ± -		-		SIZE	CAGE CODE
2 PLC ± -		-		A3	00779
3 PLC ± -		-		DRAWING NO C-2108964	
4 PLC ± -		-		RESTRICTED TO -	
ANGLES ± -		-		-	
MATERIAL -		FINISH -		WEIGHT 0.1[g]	
-		-		CUSTOMER DRAWING	
-		-		SCALE 1:1	SHEET 1 OF 2
-		-		REV C	

THIS DRAWING IS UNPUBLISHED.

RELEASED FOR PUBLICATION

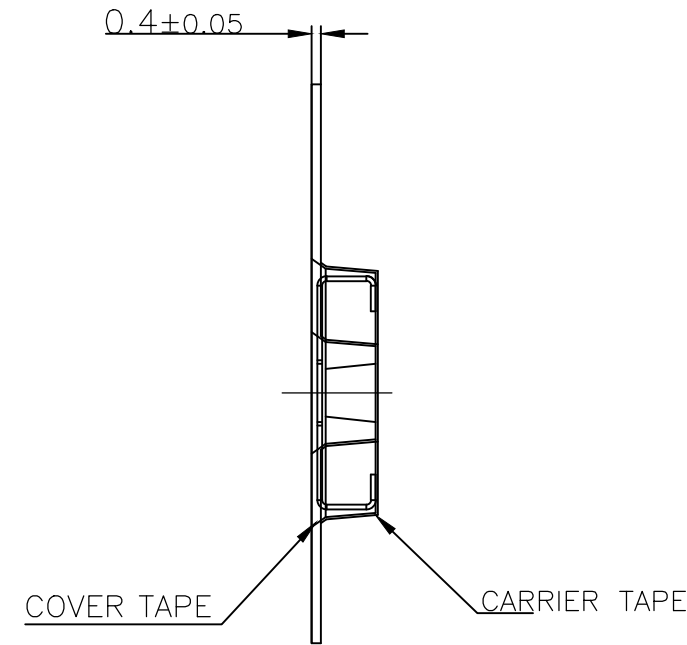
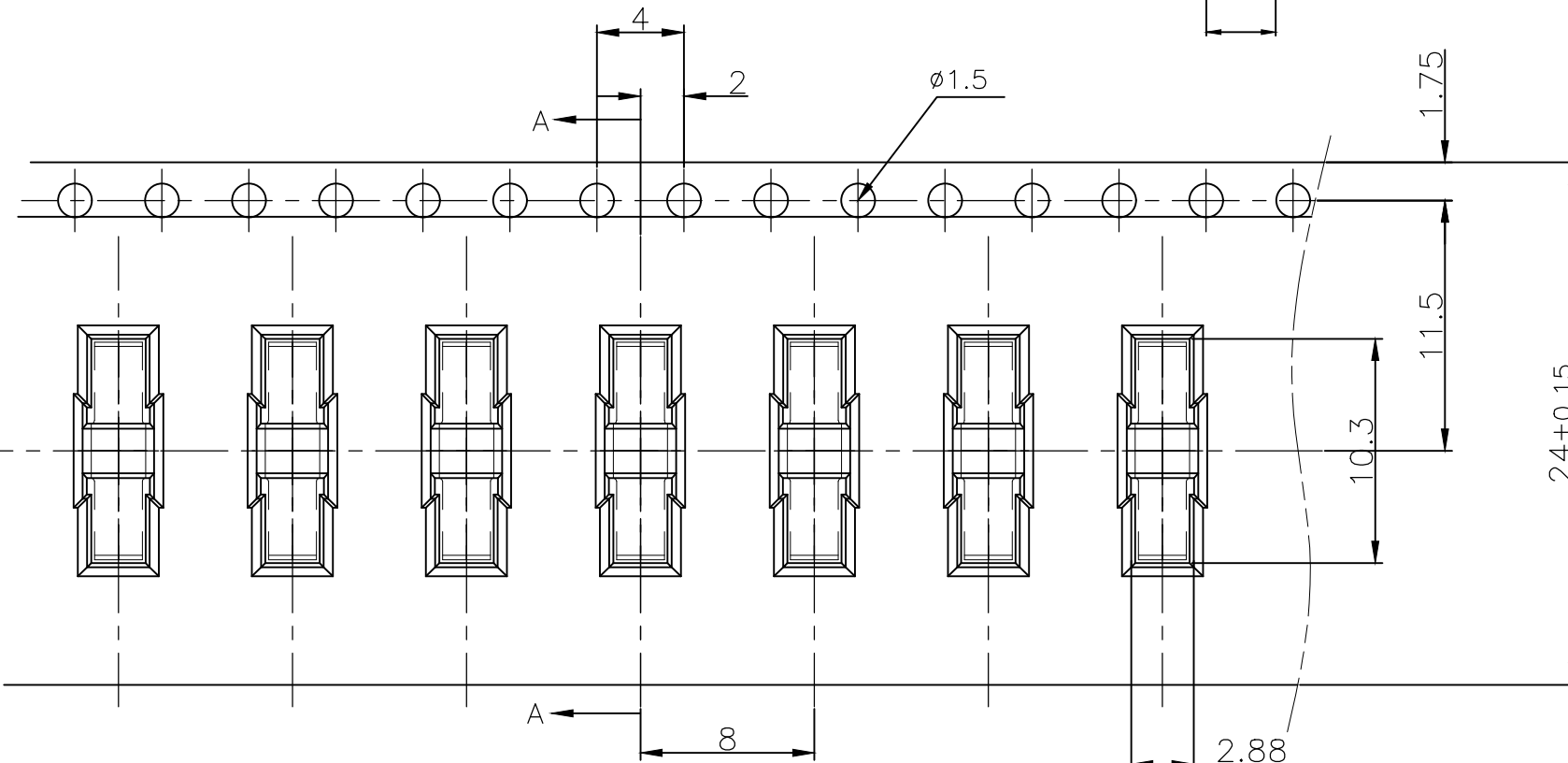
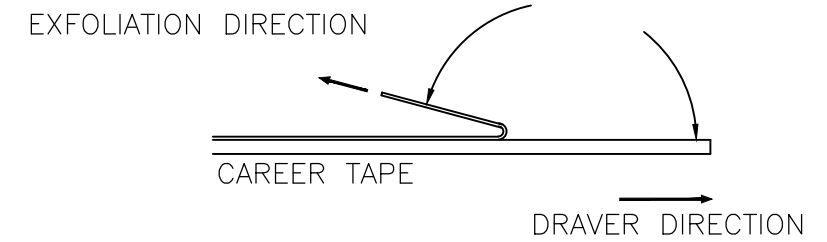
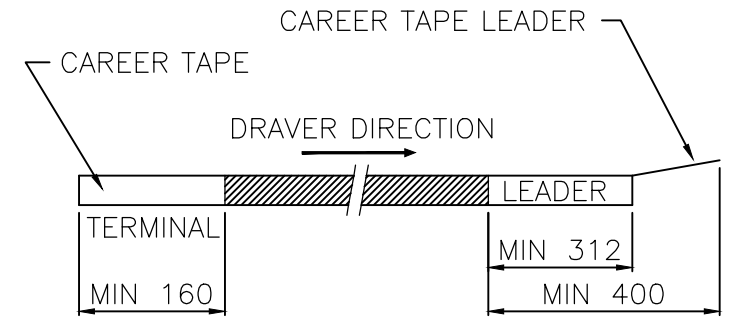
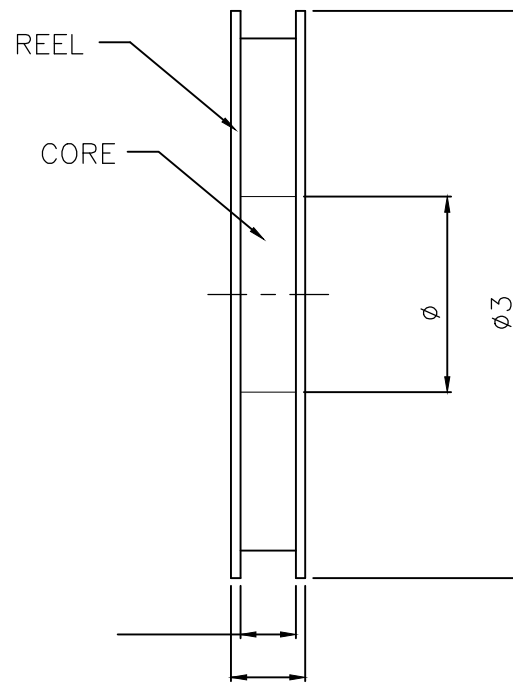
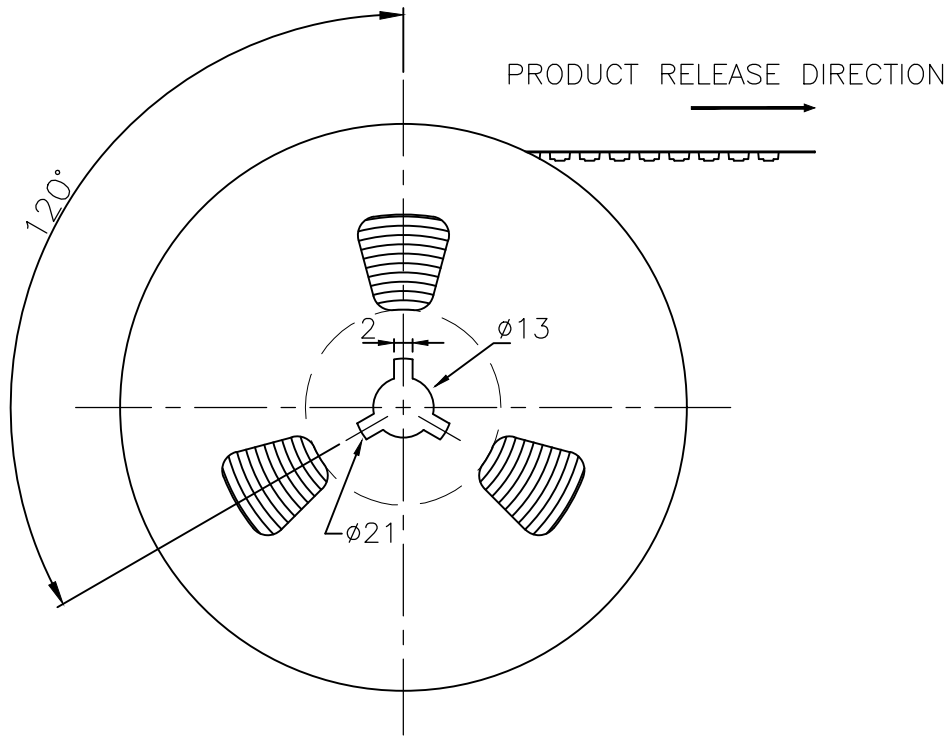
© COPYRIGHT - TE Connectivity Ltd.

ALL RIGHTS RESERVED.

REVISIONS

P	LTR	DESCRIPTION	DATE	DWN	APVD
-	-	SEE SHEET 1	-	-	-

GENERAL TOLERANCE : ±0.1



THIS DRAWING IS A CONTROLLED DOCUMENT.

DIMENSIONS:	TOLERANCES UNLESS OTHERWISE SPECIFIED:
mm	
	± -
	± -
	± -
	± -
	± -
ANGLES	± -
MATERIAL	FINISH
-	-

DWN	SJ.NOH	24MAY2017
CHK	-	-
APVD	JH.KIM	24MAY2017
PRODUCT SPEC	-	-
APPLICATION SPEC	-	-
WEIGHT	0.1[g]	-
CUSTOMER DRAWING		



STAMPING ELEMENT FOR WIFI ANTENNA

NAME	SIZE	CAGE CODE	DRAWING NO	RESTRICTED TO
-	A3	00779	C-2108964	-
SCALE			SHEET	REV
1:1			2 OF 2	C