



Part Number: D3I9521N

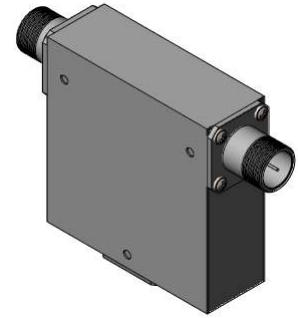
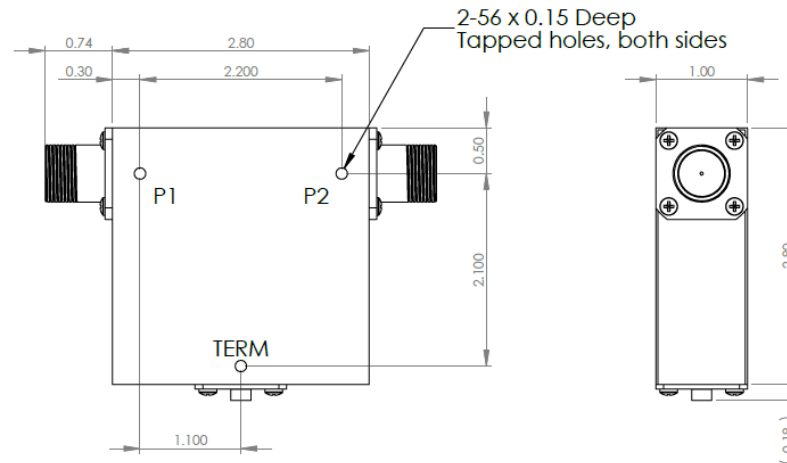
Electrical Specifications

Frequency Range (GHz):	0.95 – 2.15
Isolation (dB):	12 MIN
Insertion Loss (dB):	1.0 MAX
VSWR:	1.65:1 MIN
Forward Power (W):	75 AVG 100 PK
Reflective Power (W):	10 AVG

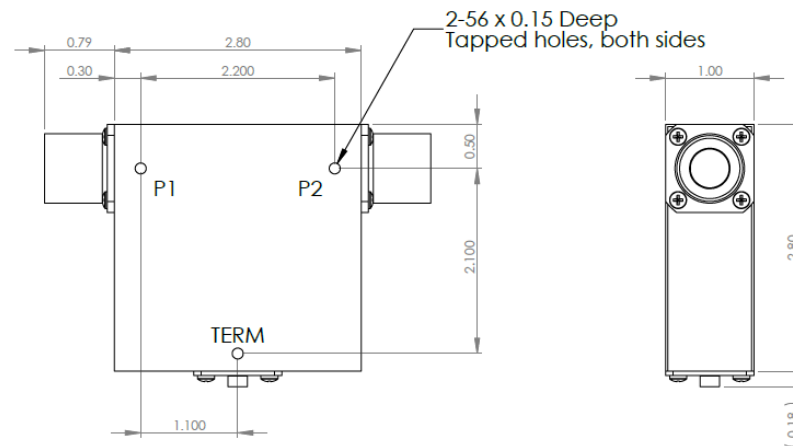
Mechanical/Environmental Specifications

Connector Type:	Type-N
Connector Body:	Nickel plated brass
Connector Pin:	Gold plated copper
Load Body:	Brass
Magnetic Shunt:	Nickel plated CRS
Operational Temp:	10°C to +55°C
Weight (oz)	15 MAX

D3I9521N Dimensions



D3I9521N-3 Dimensions



Dimensions are in inches
Tolerance

XX ±0.03
XXX ±0.010

Type of Device	PN Suffix	Connector Configuration Input / Output	PN Example
Single and Dual Junction Isolator, 2-Port Device	N/A	Female / Female	D3I9521N
	-1	Male / Female	D3I9521N-1
	-2	Female / Male	D3I9521N-2
	-3	Male / Male	D3I9521N-3



MEASURED DATA

Part Number: D3I9521N, +25°C

